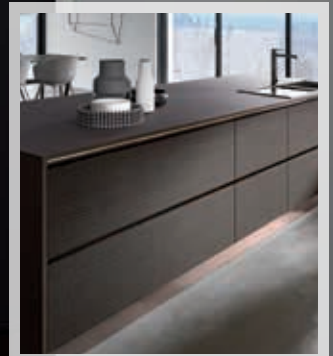


HÄFELE

# PROFILES FOR HANDLE FREE APPLICATIONS



OCTOBER 2021 EDITION

## GOLA Profiles for Handle Free Applications

Profiles for recess mounting in the cabinet carcass to create a streamlined look with no handles in view

Gola Profile systems are ideal to achieve a contemporary, sleek kitchen design. Compared to more traditional cabinet handles, profile handles give a flush-fitting, handle-less style. You could opt for a Gola Profile in a similar tone to the cabinet for a seamless finish, or a contrasting colour will make more of a contemporary design statement.

Our on-trend range of complementary Gola profiles and plinths offers maximum style and functionality.

There are six different systems in a choice of seven finishes available from Häfele to suit a variety of different applications.

### Key features:

- > Choice of 7 finishes; anodised or powder coated aluminium
- > High quality, on trend design
- > Extensive variety of options



System B Plus, System C Plus, System D and System E profiles with aluminium plinth profile, graphite powder coated finish



System B Plus profile, silver anodised finish



System B Plus and System C Plus profiles, silver anodised finish

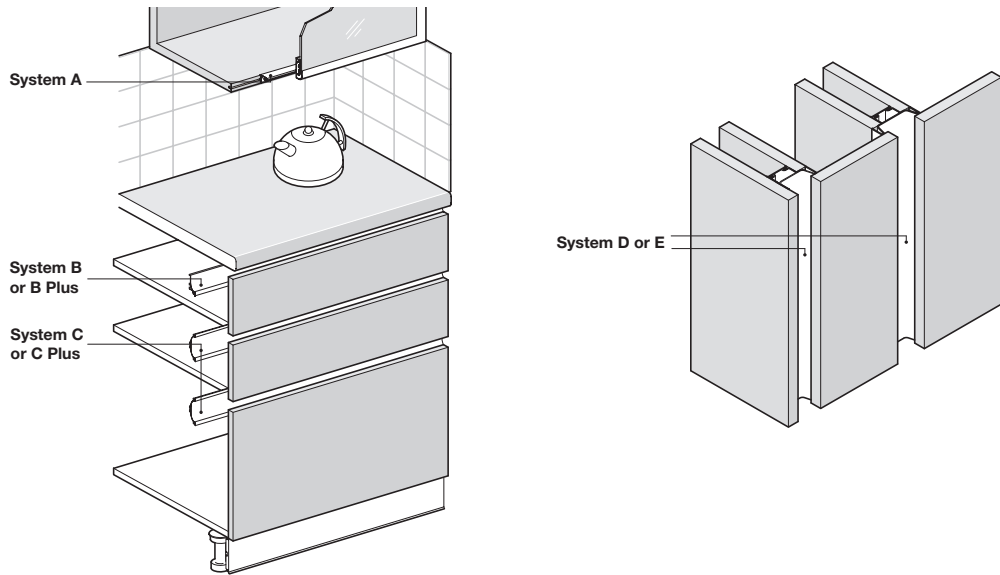


System B Plus and System C Plus profiles with aluminium plinth profile, brushed copper anodised finish

PROFILES FOR HANDLE FREE APPLICATIONS 2021, © Häfele U.K. Ltd 2021. Dimensional data not binding. We reserve the right to alter specifications without notice.

**GOLA system profiles are available for different applications where a streamlined handle free look is required.**

- > **System A:** For horizontal fixing under wall units; page 7
- > **Original system B:** For horizontal fixing under worktops, with plastic connectors; page 8
- > **Original system C:** For horizontal fixing between doors and drawers, with plastic connectors; page 9
- > **System B Plus:** For horizontal fixing under worktops, with aluminium profile connectors; page 10
- > **System C Plus:** For horizontal fixing between doors and drawers, with aluminium profile connectors; page 11
- > **System D and E:** For vertical fixing between doors; pages 12-13



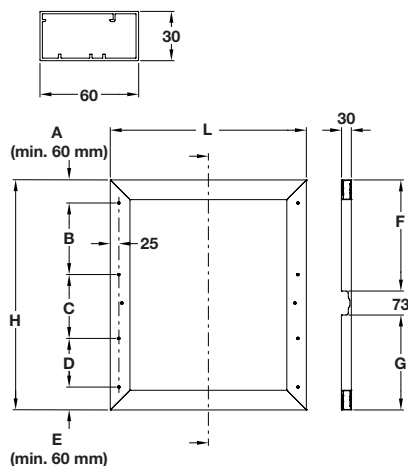
Please note: The Gola profile dimension does not allow for use with a fully integrated dishwasher, the profile stops at the dishwasher. The dishwashers door will need a handle

**EXAMPLE SYSTEM SELECTION**

Item description	Order qty	Finish	Cat. No.	Page
<b>GOLA System A - Horizontal fixing under wall units</b>				
Profile for horizontal fixing under wall units, without soft lip shock absorber	3.9 m length	Silver anodised aluminium	<b>126.48.900</b>	<b>7</b>
Profile for horizontal fixing under wall units, with soft lip shock absorber	3.9 m length	Silver anodised aluminium	<b>126.48.910</b>	<b>7</b>
Profile for horizontal fixing under wall units, with slot for LED strip	4.1 m length	Silver anodised aluminium	<b>126.48.920</b>	<b>7</b>
<b>GOLA Original System B - Horizontal fixing under worktops, with plastic connectors</b>				
Profile for horizontal fixing under worktops	3.9 m length	Silver anodised aluminium	<b>712.63.900</b>	<b>8</b>
Profile connector	1 pair	Red plastic	<b>712.63.511</b>	<b>8</b>
Profile connector with end panel cover	1 pair	Black plastic	<b>712.63.510</b>	<b>8</b>
Exterior trim caps	1 pair	Grey plastic	<b>712.63.540</b>	<b>8</b>
Interior trim caps	1 pair	Grey plastic	<b>712.63.541</b>	<b>8</b>
Internal/external corner for profile	1 pair (1x internal, 1x external)	Grey plastic	<b>712.63.530</b>	<b>8</b>
<b>GOLA Original System C - Horizontal fixing between doors and drawers, with plastic connectors</b>				
Profile for horizontal fixing between doors and drawers	3.9 m length	Silver anodised aluminium	<b>126.47.900</b>	<b>9</b>
Profile connector, screw fixing	1 pair	Red plastic	<b>712.63.511</b>	<b>9</b>
Profile connector, dowel fixing	1 pair	Red plastic	<b>712.63.521</b>	<b>9</b>
Exterior trim caps	1 pair	Grey plastic	<b>126.47.590</b>	<b>9</b>
Interior trim caps	1 pair	Grey plastic	<b>126.47.591</b>	<b>9</b>
Internal/external corner for profile	1 pair (1x internal, 1x external)	Grey plastic	<b>126.47.592</b>	<b>9</b>
<b>GOLA System B Plus - Horizontal fixing under worktops, with profile aluminium connectors</b>				
Profile for horizontal fixing under worktops	4.1 m length	Silver anodised aluminium	<b>126.36.940</b>	<b>10</b>
Trim caps	1 pair	Silver anodised aluminium	<b>126.36.947</b>	<b>10</b>
Profile connector for internal corners	1 pair	Silver anodised aluminium	<b>126.36.946</b>	<b>10</b>
Profile connector, screw fixing	1 pair	Red plastic	<b>712.63.511</b>	<b>10</b>
Profile connector, dowel fixing	1 pair	Red plastic	<b>712.63.521</b>	<b>10</b>
<b>GOLA System C Plus - Horizontal fixing between doors and drawers, with profile aluminium connectors</b>				
Profile for horizontal fixing between doors and drawers	4.1 m length	Silver anodised aluminium	<b>126.36.950</b>	<b>11</b>
Trim caps	1 pair	Silver anodised aluminium	<b>126.36.986</b>	<b>11</b>
Profile connector for internal corners	1 pair	Silver anodised aluminium	<b>126.36.985</b>	<b>11</b>
Profile connector for external corners	1 pair	Silver anodised aluminium	<b>126.37.916</b>	<b>11</b>
Profile connector, screw fixing	1 pair	Red plastic	<b>712.63.511</b>	<b>11</b>
Profile connector, dowel fixing	1 pair	Red plastic	<b>712.63.521</b>	<b>11</b>
<b>GOLA System D - Vertical fixing between doors</b>				
End profile for vertical fixing between cabinet and door	2.67 m length	Silver anodised aluminium	<b>126.36.972</b>	<b>12</b>
Profile for vertical fixing between doors	2.67 m length	Silver anodised aluminium	<b>126.36.962</b>	<b>12</b>
Profile for vertical fixing between cabinet and oven	2.67 m length	Silver anodised aluminium	<b>126.38.910</b>	<b>13</b>
Vertical profiles, spacer set for vertical profiles	1 set	Zinc plated steel	<b>126.36.958</b>	<b>13</b>
<b>GOLA System E - Vertical fixing between doors</b>				
End profile for vertical fixing between cabinet and door	2.4 m length	Silver anodised aluminium	<b>126.37.962</b>	<b>14</b>
Profile for vertical fixing between doors	2.4 m length	Silver anodised aluminium	<b>126.37.942</b>	<b>14</b>
Profile for vertical fixing between cabinet and oven	580 mm length	Silver anodised aluminium	<b>126.37.891</b>	<b>15</b>
<b>Co-ordinating aluminium plinths</b>				
Plinth panel	3.0 m length	Silver anodised aluminium	<b>713.35.401</b>	<b>17</b>
Plinth protector, linear	1 pair	Silver anodised aluminium	<b>781.34.996</b>	<b>17</b>
Plinth connector, 90° or end connector	1 pair	Silver anodised aluminium	<b>781.34.997</b>	<b>17</b>
Plinth clip	1 set	Black plastic	<b>713.28.540</b>	<b>17</b>

## GOLA Original System C Plus dishwasher frame

To create the linear look of the kitchen. For fixing between the dishwasher front and the dishwasher doors



### GOLA System C Plus dishwasher frame

- > To create the linear look of the kitchen, why not use the GOLA System C Plus profile even on the dishwasher door
- > To be fixed between the dishwasher front and the dishwasher doors
- > Anodised aluminium with a stainless steel look to match the dishwasher front
- > Order qty: 1 pc (1 pc = 580 mm length)

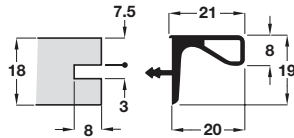
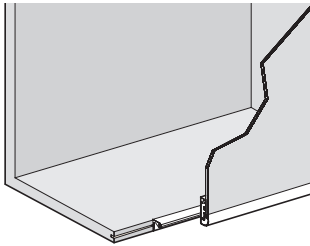
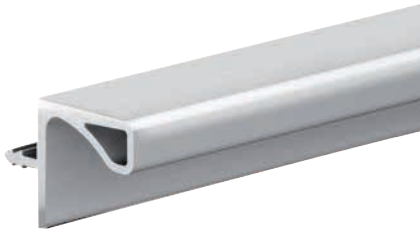


Length x Width	Cat. No.
690 x 596 mm	126.36.730

➡ Order System C Plus profile section and end caps separately, shown on page 11

# GOLA System A

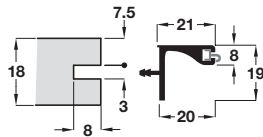
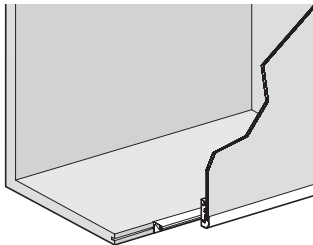
For horizontal fixing under wall units



## GOLA System A profile, for horizontal fixing under wall units, without soft lip shock absorber

- > For fixing under wall units
- > Aluminium
- > Without soft lip shock absorber
- > Order qty: 1 pc (1 pc = 3.9 m length)

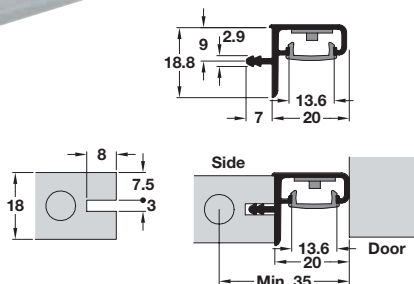
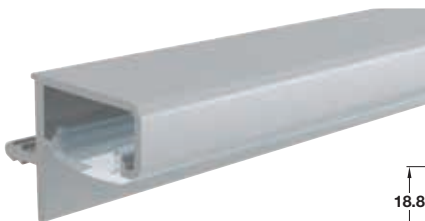
Finish	Cat. No.
● Silver anodised	126.48.900



## GOLA System A profiles, for horizontal fixing under wall units, with soft lip shock absorber

- > For fixing under wall units
- > Aluminium
- > With soft lip shock absorber
- > Order qty: 1 pc (1 pc = 3.9 m length)

Finish	Cat. No.
● Silver anodised	126.48.910



## GOLA System A profiles, for horizontal fixing under wall units, with slot for LED strip

- > Horizontal aluminium profile suitable for use with 18 mm thick wall cabinets. Complete with a slot for LED strip lighting
- > For fixing under wall units
- > Aluminium
- > With translucent diffuser
- > Order qty: 1 pc (1 pc = 4.1 m length)

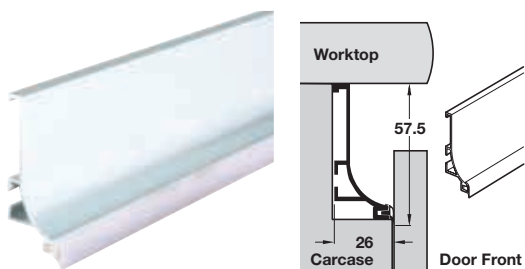
Finish	Cat. No.
● Silver anodised	126.48.920

PROFILES FOR HANDLE FREE APPLICATIONS 2021, © Häfele U.K. Ltd 2021. Dimensional data not binding. We reserve the right to alter specifications without notice.

## GOLA Original System B

For horizontal fixing under worktops, with plastic connectors

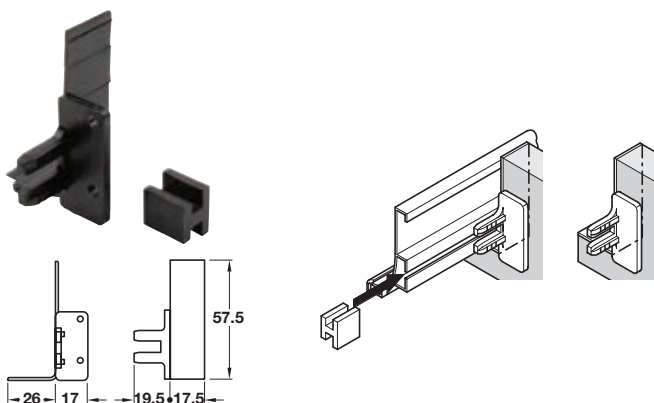
➔ Order connectors and caps separately, shown below



### GOLA Original system B profile, for horizontal fixing under worktops

- > For fixing between the worktop and door or drawer
- > Anodised aluminium
- > Order qty: 1 pc (1 pc = 3.9 m length)

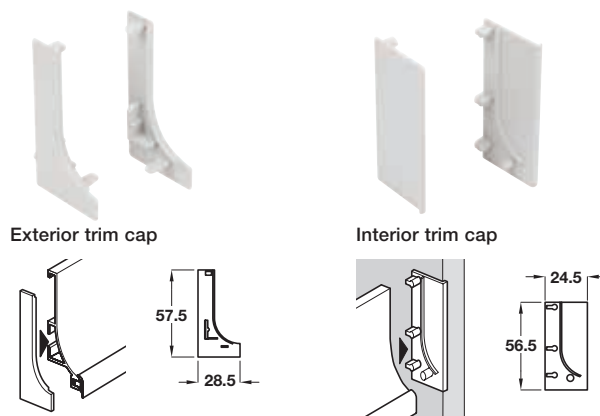
Finish	Cat. No.
 Anodised	<b>712.63.900</b>



### GOLA Original system B profile connector with end panel cover

- > For connecting profile to cabinet inside panel
- > With end panel cover
- > Black plastic
- > Order qty: 1 pair

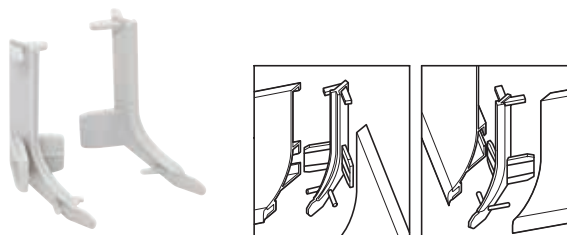
Type	Cat. No.
Screw fixing	<b>712.63.510</b>



### GOLA Original system B profile trim caps

- > Grey plastic
- > Order qty: 1 pair

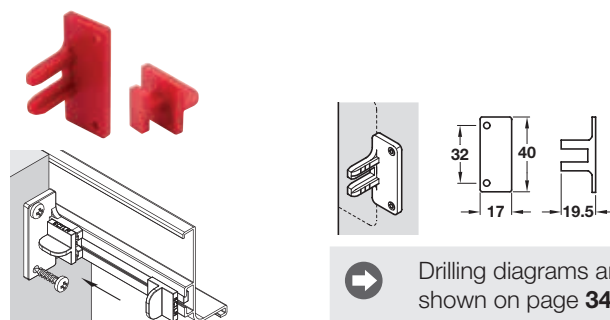
Type	Cat. No.
Exterior trim caps	<b>712.63.540</b>
Interior trim caps	<b>712.63.541</b>



### Internal/external corner for profile

- > For connecting profile, for internal or external corners
- > Grey plastic
- > Order qty: 1 pair (1x internal, 1x external)

Type	Cat. No.
Corner for profile	<b>712.63.530</b>



➔ Drilling diagrams are shown on page 341

### GOLA System B/C Plus profile connector

- > For connecting profile to cabinet inside panel
- > Red plastic
- > Order qty: 1 pair

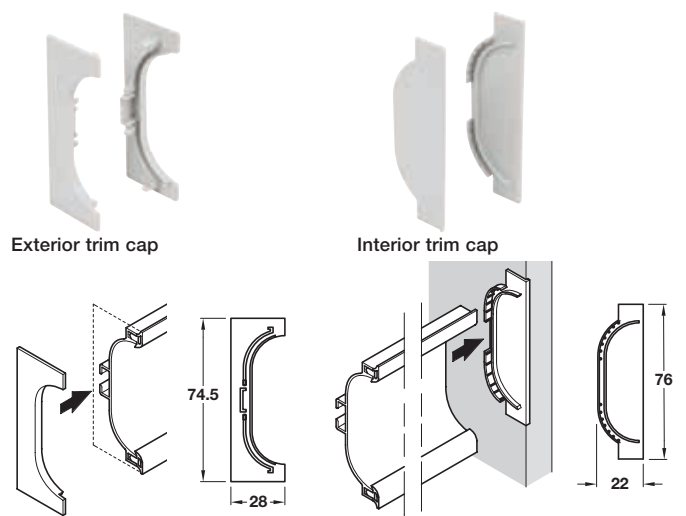
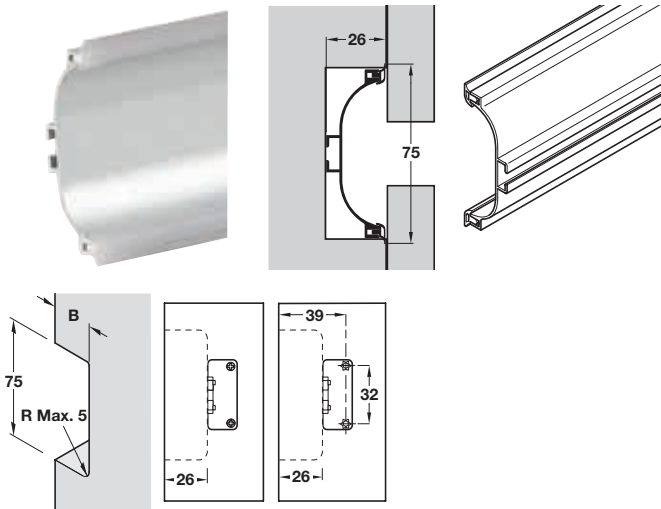
Type	Cat. No.
Screw fixing	<b>712.63.511</b>



# GOLA Original System C

For horizontal fixing between doors and drawers, with plastic connectors

➔ Order connectors and caps separately, shown below



## GOLA Original system C profile, for horizontal fixing between doors and drawers

- > For fixing between doors and drawers
- > Anodised aluminium
- > Order qty: 1 pc (1 pc = 3.9 m length)

Finish	Cat. No.
● Anodised	126.47.900

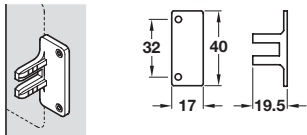
## GOLA Original system C profile trim caps

- > Grey plastic
- > Order qty: 1 pair

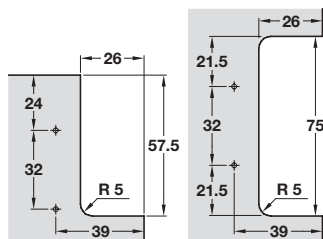
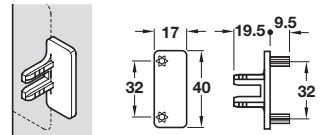
Type	Cat. No.
Exterior trim caps	126.47.590
Interior trim caps	126.47.591



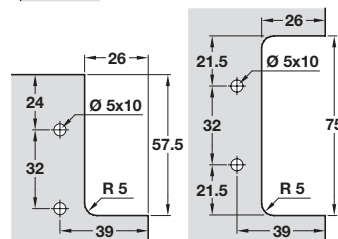
Screw fixing



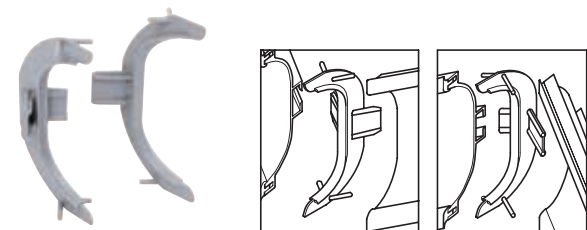
Dowel fixing



Screw fixing drilling diagram



Dowel fixing drilling diagram



## Internal/external corners

- > For connecting profiles, for internal or external corners
- > Grey plastic
- > Order qty: 1 pair (1x internal, 1x external)

Type	Cat. No.
Internal/external corners	126.47.592

## GOLA System B/C profile connector

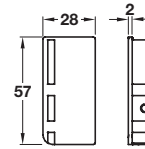
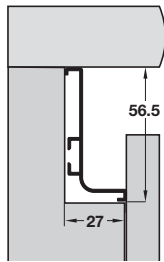
- > For connecting profile to cabinet inside panel
- > Screw or dowel fixing
- > Red plastic
- > Order qty: 1 pair

Type	Cat. No.
Screw fixing	712.63.511
Dowel fixing	712.63.521

## GOLA System B Plus

For horizontal fixing under worktops, with profile aluminium connectors

➔ Order connectors and caps separately, shown below



### GOLA System B Plus profile, for horizontal fixing under worktops

- > For fixing between the worktop and door or drawer
- > Aluminium
- > Order qty: 1 pc (= 4.1 m length)

### GOLA System B Plus trim caps

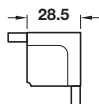
- > Aluminium
- > Order qty: 1 pair

Finish	Cat. No.
Silver anodised	126.36.940
Bronze anodised	126.36.104
Graphite powder coated	126.36.704
Brushed brass anodised	126.35.505
Brushed copper anodised	126.36.804
Matt white powder coated	126.36.941
Matt black powder coated	126.36.942

Finish	Cat. No.
Silver anodised	126.36.947
Bronze anodised	126.36.180
Graphite powder coated	126.36.780
Brushed brass anodised	126.36.589
Brushed copper anodised	126.36.880
Matt white powder coated	126.36.948
Matt black powder coated	126.36.949



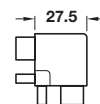
Design may differ; function is not affected



### GOLA System B Plus profile connectors for internal corners

- > Aluminium
- > Order qty: 1 pc

Finish	Cat. No.
Silver anodised	126.36.946
Bronze anodised	126.36.181
Graphite powder coated	126.36.781
Brushed brass anodised	126.36.585
Brushed copper anodised	126.36.881
Matt white powder coated	126.36.951
Matt black powder coated	126.36.952



### GOLA System B Plus profile connectors for external corners

- > Aluminium
- > Order qty: 1 pc

Finish	Cat. No.
Silver anodised	126.36.945
Bronze anodised	126.36.182
Graphite powder coated	126.36.782
Brushed brass anodised	126.36.587
Brushed copper anodised	126.36.882
Matt white powder coated	126.36.944
Matt black powder coated	126.36.943

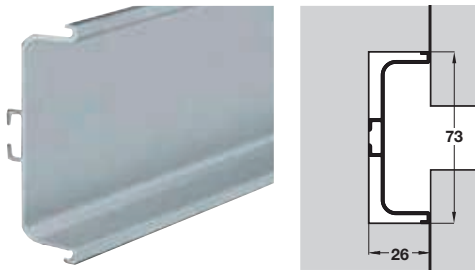
PROFILES FOR HANDLE FREE APPLICATIONS 2021, © Häfele U.K. Ltd 2021. Dimensional data not binding. We reserve the right to alter specifications without notice.

## GOLA System C Plus

For horizontal fixing between doors and drawers, with aluminium profile connectors



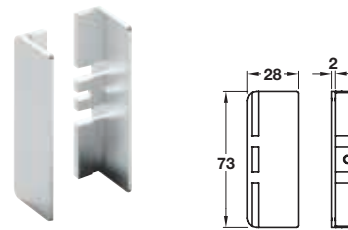
Order connectors and caps separately, shown below



### GOLA System B Plus profile, for horizontal fixing under worktops

- > Aluminium
- > Order qty: 1 pc (= 4.1 m length)

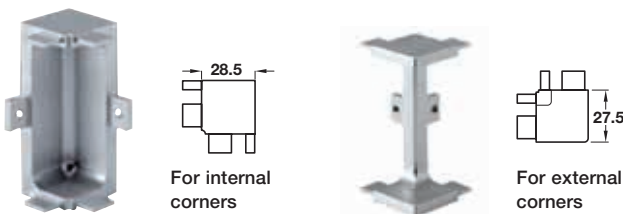
Finish	Cat. No.
Silver anodised	126.36.950
Bronze anodised	126.36.114
Graphite powder coated	126.36.714
Brushed brass anodised	126.36.515
Brushed copper anodised	126.36.814
Matt white powder coated	126.36.953
Matt black powder coated	126.36.954



### GOLA System C Plus trim caps

- > Aluminium
- > Order qty: 1 pair

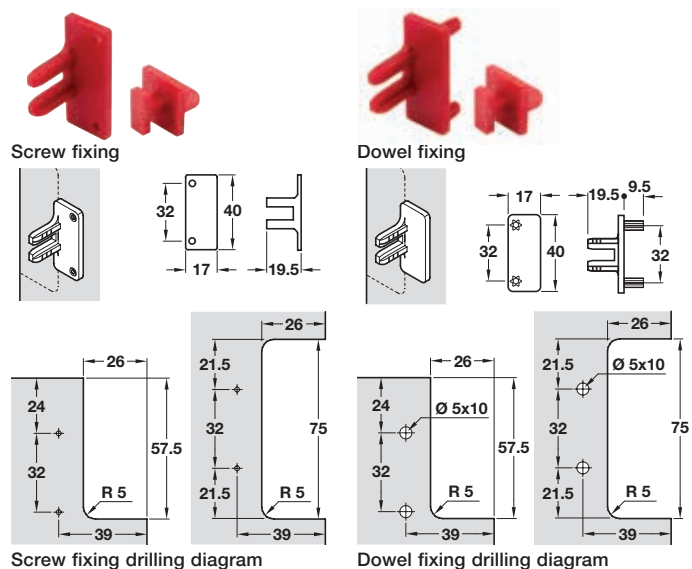
Finish	Cat. No.
Silver anodised	126.36.986
Bronze anodised	126.36.183
Graphite powder coated	126.36.783
Brushed brass anodised	126.36.560
Brushed copper anodised	126.36.883
Matt white powder coated	126.36.987
Matt black powder coated	126.36.988



### GOLA System C Plus profile connector for internal or external corners

- > Aluminium
- > Order qty: 1 pc

Finish	Internal	External
Silver anodised	126.36.985	126.37.916
Bronze anodised	126.36.184	126.37.915
Graphite powder coated	126.36.784	126.37.917
Brushed brass anodised	126.36.586	126.37.920
Brushed copper anodised	126.36.884	126.37.919
Matt white powder coated	126.36.984	126.37.914
Matt black powder coated	126.36.983	126.37.913



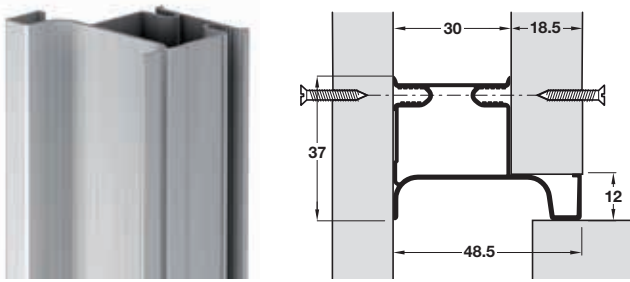
### GOLA System B/C Plus profile connector

- > For connecting profile to cabinet inside panel
- > Screw or dowel fixing
- > Red plastic
- > Order qty: 1 pair

Type	Cat. No.
Screw fixing	712.63.511
Dowel fixing	712.63.521

## GOLA System D








For vertical fixing between doors

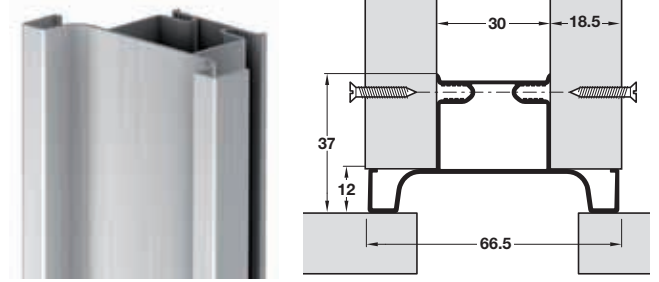


**GOLA System D end profile, for vertical fixing between cabinet and door**

- > For fixing between the cabinet and door
- > Order fixing screws separately
- > Aluminium
- > Order qty: 1 pc (= 2.67 m length)










Finish	Cat. No.
 Silver anodised	<b>126.36.972</b>
 Bronze anodised	<b>126.36.872</b>
 Graphite powder coated	<b>126.36.772</b>
 Brushed brass anodised	<b>126.36.573</b>
 Brushed copper anodised	<b>126.36.172</b>
 Matt white powder coated	<b>126.36.973</b>
 Matt black powder coated	<b>126.36.974</b>



**GOLA System D profile, for vertical fixing between doors**

- > For fixing between doors
- > Order fixing screws separately
- > Aluminium
- > Order qty: 1 pc (= 2.67 m length)

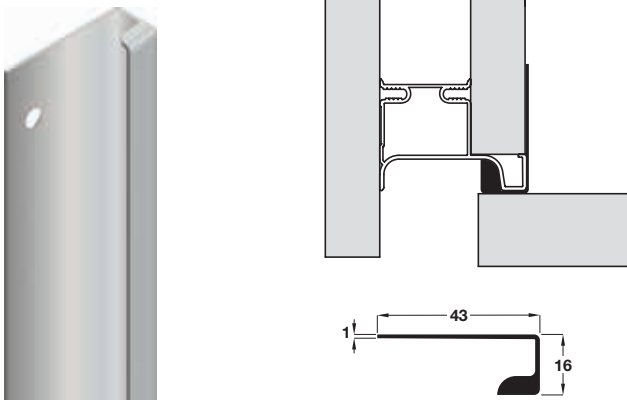


Finish	Cat. No.
 Silver anodised	<b>126.36.962</b>
 Bronze anodised	<b>126.36.862</b>
 Graphite powder coated	<b>126.36.762</b>
 Brushed brass anodised	<b>126.36.563</b>
 Brushed copper anodised	<b>126.36.162</b>
 Matt white powder coated	<b>126.36.963</b>
 Matt black powder coated	<b>126.36.964</b>



When cutting aluminium a normal chop saw with a good blade for aluminium is needed  
As a final step, a fine polishing with sanding paper is usually required as well as cleaning with compressed air











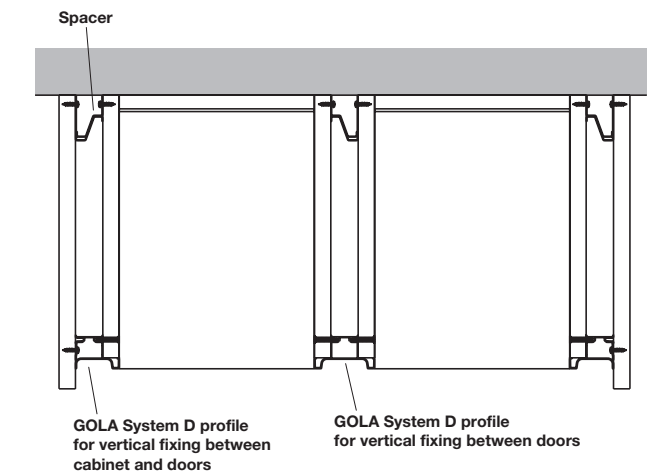
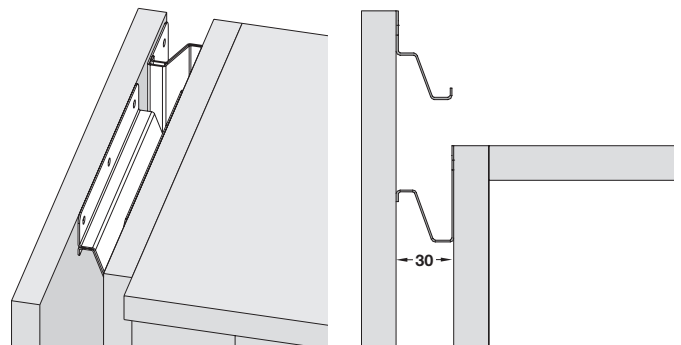


## GOLA System D profile, for vertical fixing between cabinet and oven

- > For fixing between the cabinet and oven
- > Order fixing screws separately
- > Aluminium
- > Order qty: 1 pc (= 580 mm length)



Finish	Cat. No.
 Silver anodised	<b>126.38.910</b>
 Bronze anodised	<b>126.38.810</b>
 Graphite powder coated	<b>126.38.710</b>
 Brushed brass anodised	<b>126.38.511</b>
 Brushed copper anodised	<b>126.38.110</b>
 Matt white powder coated	<b>126.38.912</b>
 Matt black powder coated	<b>126.38.913</b>
 Order System D (end profile or between doors profile) separately, shown on page 12	




## Spacer set for System D vertical profiles

- > Spacer set for System D vertical profiles, to provide 30 mm rear spacing
- > Set includes:
  - 1x left hand bracket, 30 x 150 mm
  - 1x right hand bracket, 30 x 150 mm
  - 6x Ø 3.5 x 16 mm screws, zinc plated steel
- > Zinc plated steel
- > Order qty: 1 set

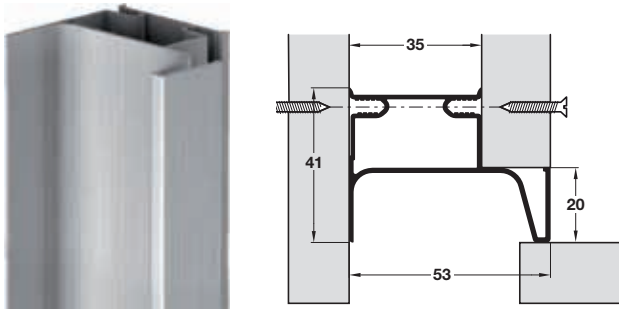


Type	Cat. No.
Spacer set	<b>126.36.958</b>

-  For use with GOLA System D vertical profiles, shown on page 12

## GOLA System E

For vertical fixing between doors

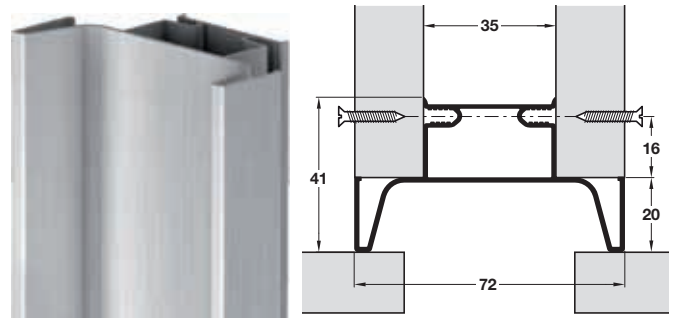


**GOLA System E end profile, for vertical fixing between cabinet and door**

- > For fixing between the cabinet and door
- > Order fixing screws separately
- > Aluminium
- > Order qty: 1 pc (2.4 m length)



Finish	Cat. No.
Silver anodised	126.37.962
Bronze anodised	126.36.122
Graphite powder coated	126.37.762
Brushed brass anodised	126.37.563
Brushed copper anodised	126.37.162
Matt white powder coated	126.37.963
Matt black powder coated	126.37.964



**GOLA System E profile, for vertical fixing between doors**

- > For fixing between doors
- > Order fixing screws separately
- > Aluminium
- > Order qty: 1 pc (2.4 m length)

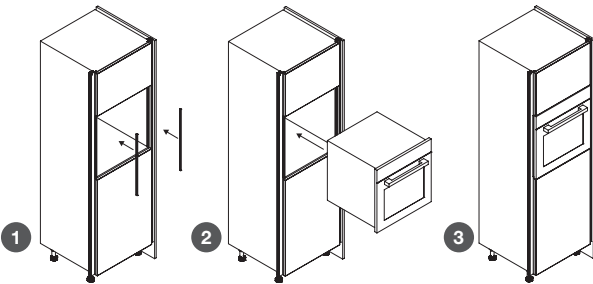
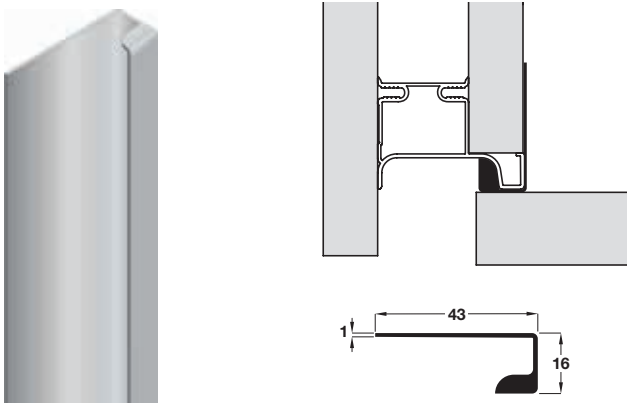


Finish	Cat. No.
Silver anodised	126.37.942
Bronze anodised	126.36.132
Graphite powder coated	126.37.742
Brushed brass anodised	126.37.543
Brushed copper anodised	126.37.142
Matt white powder coated	126.37.943
Matt black powder coated	126.37.944



When cutting aluminium a normal chop saw with a good blade for aluminium is needed  
As a final step, a fine polishing with sanding paper is usually required as well as cleaning with compressed air





### GOLA System E profile, for vertical fixing between cabinet and oven

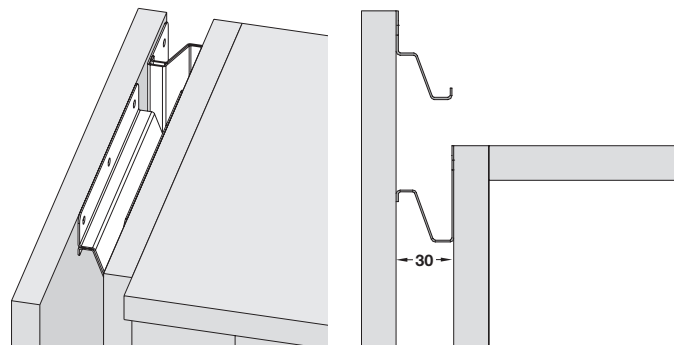
- > For fixing between the cabinet and oven
- > Order fixing screws separately
- > Aluminium
- > Order qty: 1 pc (= 580 mm length)



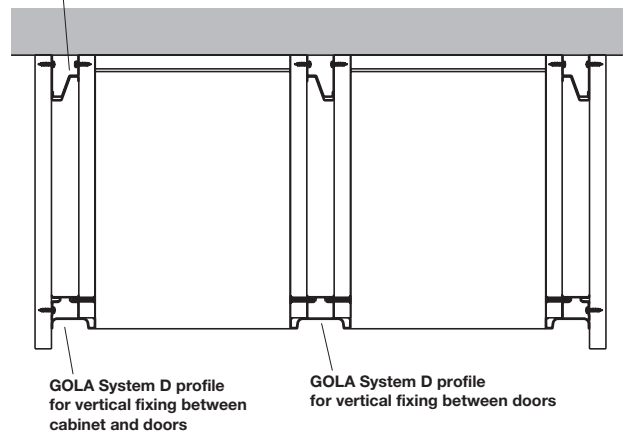
Finish	Cat. No.
Silver anodised	126.37.891
Bronze anodised	126.37.890
Graphite powder coated	126.37.892
Brushed brass anodised	126.37.897
Brushed copper anodised	126.37.894
Matt white powder coated	126.37.895
Matt black powder coated	126.37.896

Order System E end profile for vertical fixing between cabinet and door separately, shown on page 14

Use spacer Cat. No. 126.36.958 for the system E profiles alongside the use of washers, shown left



Spacer



### Spacer set for System E vertical profiles

- > Spacer set for System E vertical profiles, to provide 30 mm rear spacing
- > Set includes:
  - 1x left hand bracket, 30 x 150 mm
  - 1x right hand bracket, 30 x 150 mm
  - 6x Ø 3.5 x 16 mm screws, zinc plated steel
- > Zinc plated steel
- > Order qty: 1 set



Type	Cat. No.
Spacer set	126.36.958

## Aluminium Plinth Panels

Combine the plinth panel set, plinth clip set and the plinth connector to create a stylish yet simple plinth system



Silver anodised



Graphite powder coated



Bronze anodised



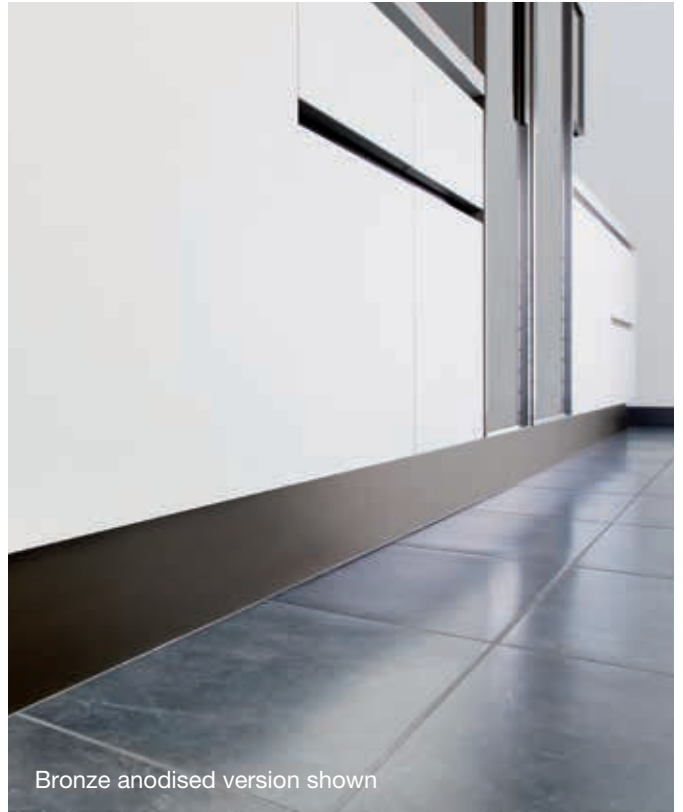
Brushed brass anodised



Brushed copper anodised



Graphite powder coated version shown



Bronze anodised version shown

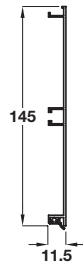


Brushed copper anodised version shown



Brushed brass anodised version shown



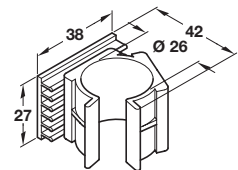
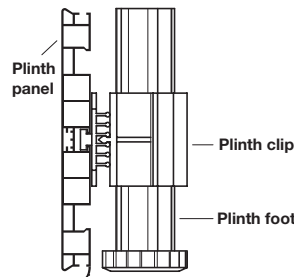


## Aluminium plinth panel

- > 3000 mm length
- > Includes finishing strip for 150 mm high plinth
- > Aluminium
- > Order qty: 1 pc

Finish	Cat. No.
Silver anodised	713.35.401
Bronze anodised	713.35.101
Graphite powder coated	713.35.301
Brushed brass anodised	713.35.601
Brushed copper anodised	713.35.801

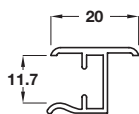
➔ Order plinth connectors and clips separately, shown below



## Plinth clip

- > For use with PVC plinth panel 713.28.515
- > Can also be used with aluminium plinth panel shown above
- > Plastic
- > Order qty: 1 set (order in multiples of 12 sets)

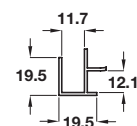
Finish	Cat. No.
Black	713.28.540



## Plinth connector, linear

- > 146 mm high for plinth 150 mm
- > For use with aluminium plinth panels, shown above
- > Aluminium
- > Order qty: 1 pair

Finish	Cat. No.
Silver anodised	781.34.996
Bronze anodised	781.34.196
Graphite powder coated	781.34.396
Brushed brass anodised	781.34.696
Brushed copper anodised	781.34.896



## Plinth connector, 90° or end connector

- > 146 mm high for plinth 150 mm
- > For use with aluminium plinth panels, shown above
- > Aluminium
- > Order qty: 1 pair

Finish	Cat. No.
Silver anodised	781.34.997
Bronze anodised	781.34.197
Graphite powder coated	781.34.397
Brushed brass anodised	781.34.697
Brushed copper anodised	781.34.897

© Häfele UK 2021

No part of this catalogue may be reproduced,  
photocopied or stored in any data retrieval  
system without written permission.

**HÄFELE**

10/2021-HÄFELE PROFILES FOR HANDLE FREE APPLICATIONS 2021 ISSUE 1

**Häfele UK Ltd** | Swift Valley Industrial Estate Rugby Warwickshire CV21 1RD Registered in England No. 1486136

**Phone:** 0800 171 2909 | **Fax:** 01788 544440 **Email:** info@hafele.co.uk **Technical:** 0800 171 2908

[www.hafele.co.uk](http://www.hafele.co.uk)