

HÄFELE



SLIDO.

IDEAS IN MOTION.

SLIDING – A HOLISTIC VIEW.

The most comprehensive combination of expertise and design: Slido from Häfele provides technically sophisticated sliding solutions for all residential and business areas. Whether interior doors, partition wall systems, room solutions or furniture doors – Slido is the system for every conceivable application and gets your design ideas moving.

D Slido Door.
Sliding solutions for room doors.
From page 16

R Slido Room.
Sliding solutions for room concepts.
From page 32

W Slido Wall.
Sliding solutions for partition wall systems.
From page 24

F Slido Furniture.
Sliding solutions for furniture.
From page 4

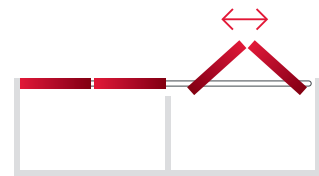


SLIDO

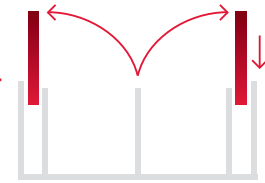
SLIDO FURNITURE.

STYLE IN MOTION.

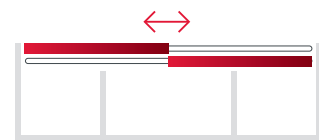
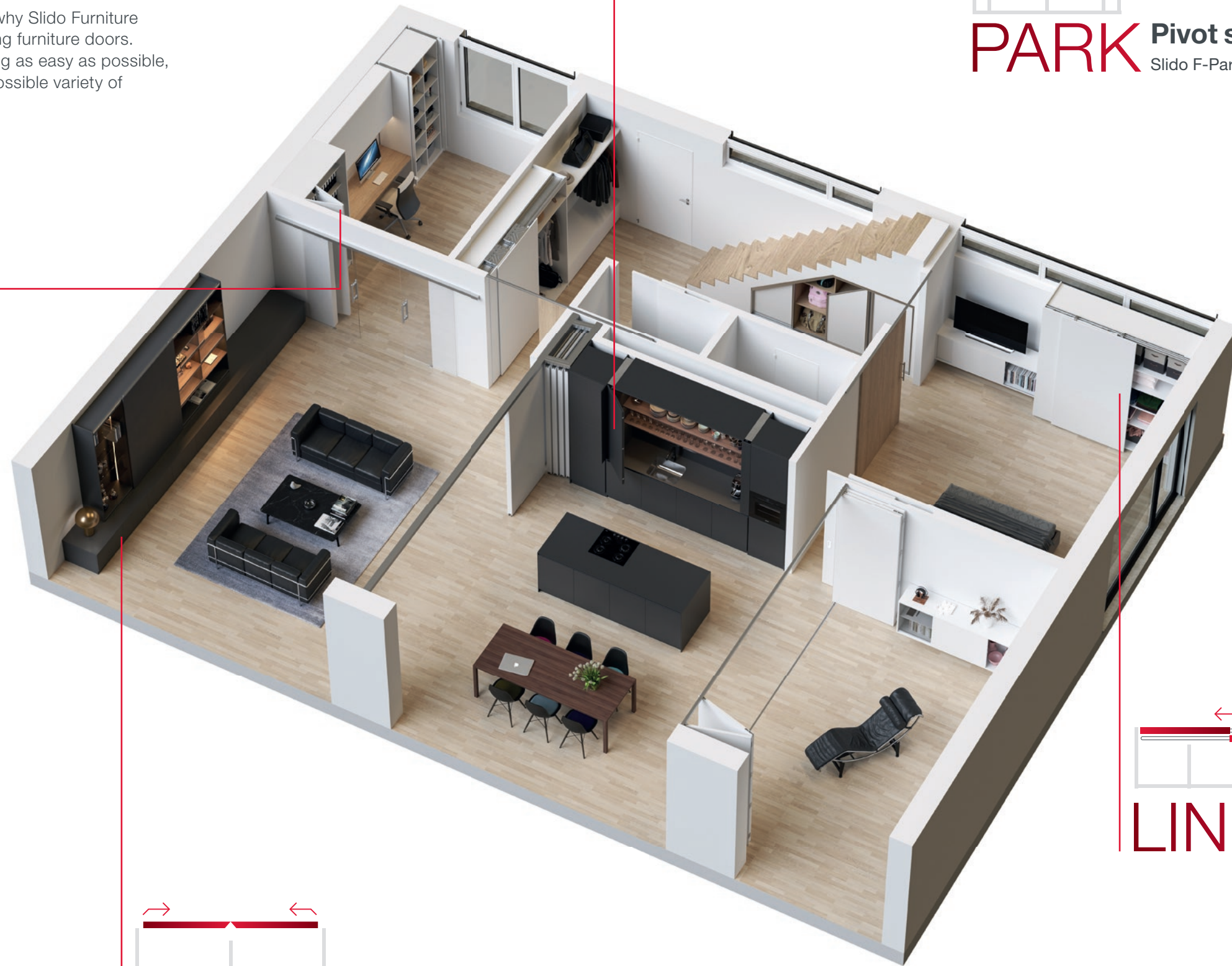
Creativity knows no technical limits: That is why Slido Furniture has solutions for all movement types of sliding furniture doors. In order to make the selection and processing as easy as possible, our product families offer you the greatest possible variety of hardware solutions.



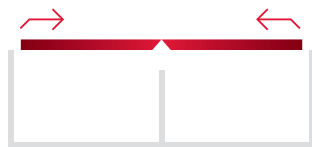
FOLD Folding.
Slido F-Fold61



PARK Pivot sliding.
Slido F-Park72



LINE Linear.
Slido F-Line21
Slido F-Line31
Slido F-Line42
Slido F-Line43



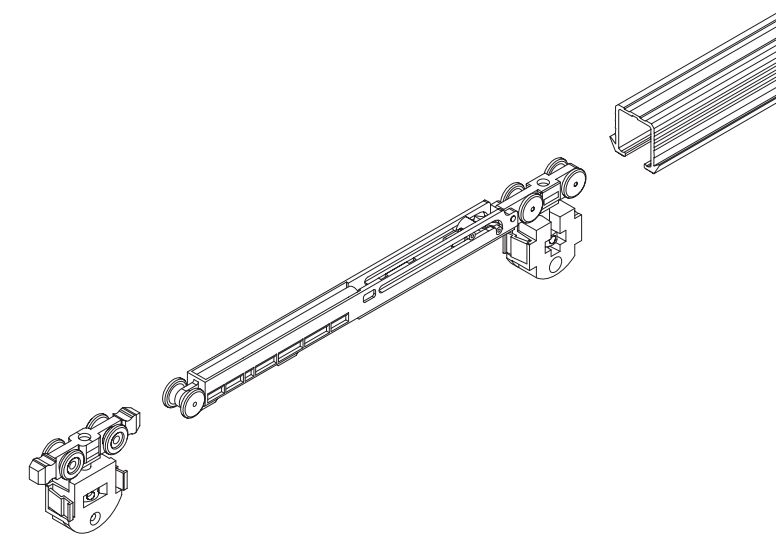
FLUSH Flush sliding.
Slido F-Flush51
Slido F-Flush52

SLIDO FURNITURE

SLIDO F-LINE21.

LOW-KEY DIVERSITY.

The delicate construction of the running components and track make Slido F-Line21 the perfect solution for lightweight sliding doors. Thanks to the soft closing mechanism integrated in the running component and concealed in the track, as well as a multitude of design options, Slido F-Line21 is the all-rounder for all applications, from Vorfront to Infront to Mixfront furniture with wooden, glass, or aluminium frame doors. Thanks to the impressively simple processing and assembly steps, Slido F-Line21 is the favourite for modern living solutions.



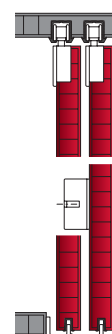
Slido F-Line21 A

- > Integrated top-running Vorfront solution for furniture with 1 door.
- > Door weights up to 20 kg.



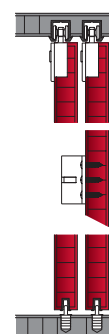
Slido F-Line21 B

- > Mixfront solution for furniture with 1 or 2 doors.
- > Running track under the top panel, guide component or guide track in front of the base.
- > Door weight up to 20 kg or 40 kg.



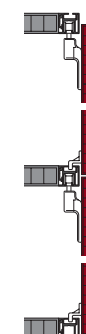
Slido F-Line21 C

- > Infront solution for furniture with 1 or 2 doors.
- > Door weight up to 12 kg, 20 kg or 40 kg.



Slido F-Line21 H

- > Vorfront solution for doors running one above the other.
- > Running track in front of the top panel, optionally serves as a guide track for doors above.
- > Door weight up to 20 kg or 40 kg.



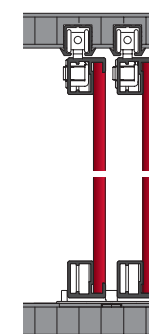
Slido F-Line21 D

- > Infront system for 1 or 2 glass doors.
- > Door weight up to 12 kg or 20 kg.



Slido F-Line21 F

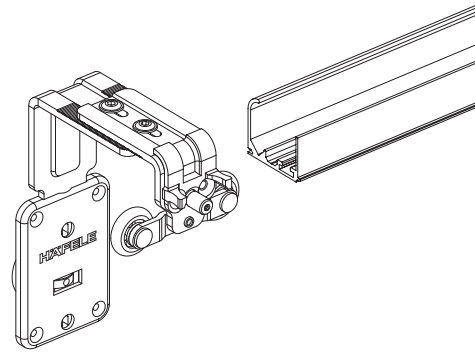
- > Infront solution for 2 aluminium frame doors.
- > Door weights up to 20 kg.



SLIDO F-LINE31.

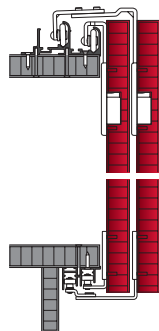
DESIGN IN FOCUS.

Slido F-Line31 meets the highest demands on high-quality cabinet design thanks to the elegant designer running track with optional cover. The running component with gentle soft closing system also provides the maximum possible sliding comfort. Different weight classes give freedom in the application, from living room wall units to bedroom wardrobes.



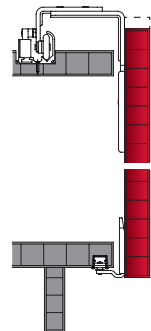
Slido F-Line31 60A

- > Top-running Vorfront solution.
- > Running track on the top panel.
- > Sets for 1, 2, or 3 doors.
- > Door weights up to 60 kg.
- > Optional with e-drive.



Slido F-Line31 40A

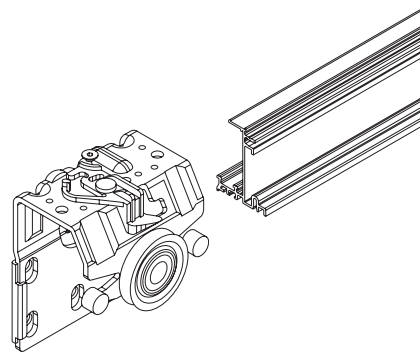
- > Top-running Vorfront solution.
- > Running track on top panel. Optionally also recessed.
- > Sets for 1, 2, or 3 doors.
- > Door weights up to 40 kg.
- > Optional with e-drive.



SLIDO F-LINE43.

UNIQUELY INDIVIDUAL.

The modular structure of Slido F-Line43 enables a wide range of furniture creations from the simple 1-door model to complex comfort solutions with 3 or 4 doors and with soft closing mechanism. The optional functions, such as synchronized opening or unique lighting elements on the front panel, set additional accents as required. Slido F-Line43 ensures individuality in the design and gives furniture completely new nuances with exclusive modules, such as the PowerChain for the uninterrupted electrification of sliding doors.

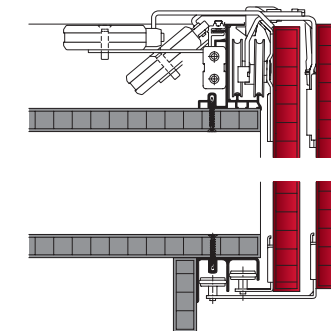


Slido F-Line43 Powerchain

- > Makes the continuous electrification of the door leaves in any opening situation possible.
- > Set for 2, 3, or 4 door leaves.
- > Compatible with Häfele Loox5 12V LED strip lights.
- > Use with or without illuminated.

Slido F-Line43

- > Top-running Vorfront solution with roller bottom guide.
- > Running track on the top panel.
- > Sets for 2, 3, or 4 doors.
- > Door weights up to 70 kg.
- > Optionally with e-drive, Synchro opening, PowerChain, and illuminated handle profile.



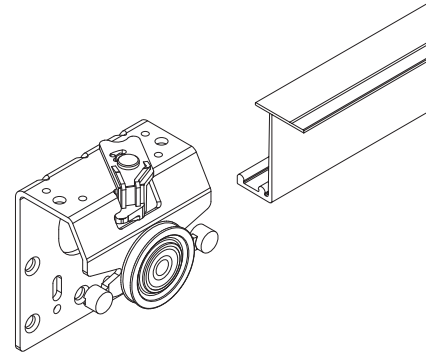
Illuminated handle profile

- > Compatible with Häfele Loox5 LED strip lights.
- > With groove for brush seal.
- > Use with or without lighting.
- > Optional strengthening strip as the counter part for the rear door.

SLIDO F-LINE42.

DESIGNING WARDROBES.

Slido F-Line42, with its comprehensive modular Vorfront modular system and thanks to a coordinated quick fixing system, offers limitless design freedom for wardrobes – optionally also with e-drive and Synchro opening.



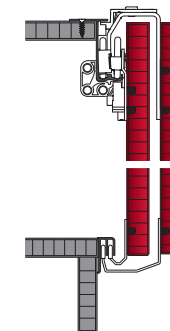
Slido F-Line42 50A

- > Top-running Vorfront solution with roller bottom guide.
- > Running track in front of the top panel.
- > Sets for 2, 3 or 4 doors (4 doors: optionally with Synchro opening).
- > Door weights up to 50 kg.
- > Optional with e-drive.
- > With easy height adjustment.



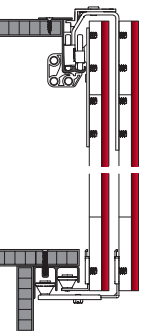
Slido F-Line42 50B

- > Top-running Vorfront solution with roller bottom guide or bottom guide rail.
- > Running track in front of the top panel.
- > Sets for 2, 3 or 4 doors (4 doors: optionally with Synchro opening).
- > Door weights up to 50 kg.
- > Optional with e-drive.



Slido F-Line42 50C

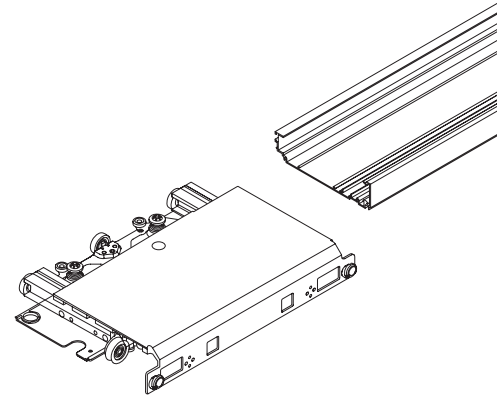
- > Top-running Vorfront solution for aluminium frame doors with roller bottom guide or bottom guide rail.
- > Running track in front of the top panel.
- > Sets for 2, 3 or 4 doors (4 doors: optionally with Synchro opening).
- > Door weights up to 50 kg.
- > Optional with e-drive.



SLIDO F-FLUSH51.

CLEAN LINE.

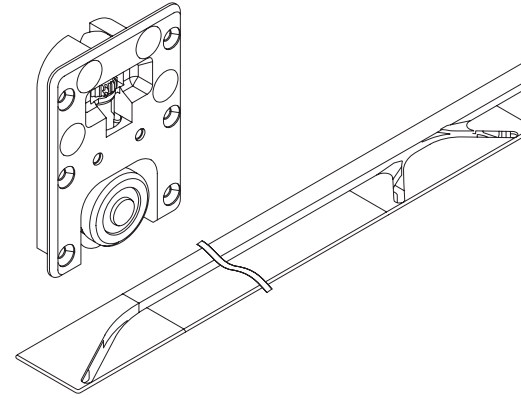
Slido F-Flush51 is the flush fitting for a wide variety of applications. The comprehensive system with integrated damping and a modular construction kit leaves nothing to be desired for flat designs, from aluminium frames to electric drives to the selection of accessories.



SLIDO F-FLUSH52.

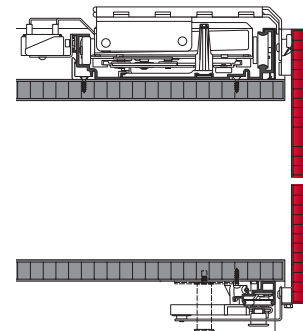
LIGHTNESS ON THE WHOLE FRONT.

The unique Slido F-Flush52 flush Infront system shows its strength and diversity especially with small and lightweight doors. Thanks to uncomplicated assembly and adjustment, home furniture such as sideboards or bathroom furniture can be given a refined, minimalist face in no time at all.



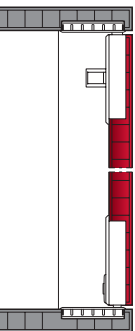
Slido F-Flush51 60A

- > Top-running Vorfront solution for flush doors.
- > Running track on the top panel.
- > Sets for 1, 2, or 3 doors.
- > Door weight up to 40 kg or 60 kg.
- > Optionally with electric drive and motion sensor for contactless opening and closing.



Slido F-Flush52 20A

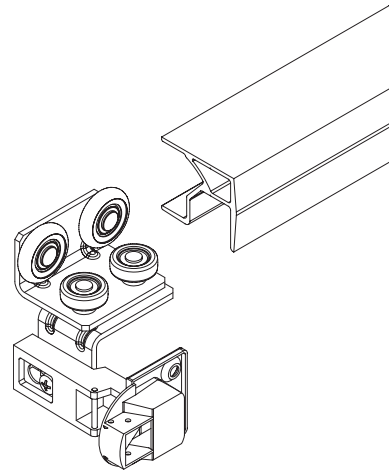
- > Infront solution for 2 wooden doors up to a maximum height of 1,600 mm.
- > Door weights up to 20 kg.



SLIDO F-FOLD61.

COMPACT COMFORT.

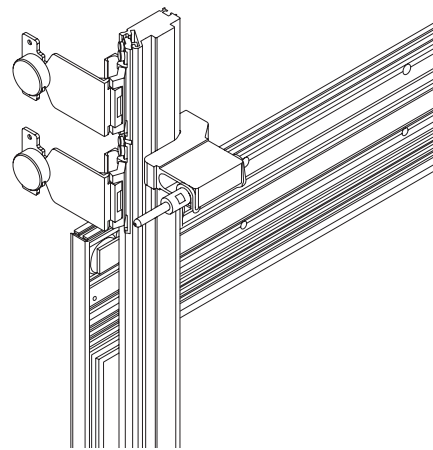
Slido F-Fold61 sets design accents for optimal access to the cabinet contents. The folding system shows itself completely without a bottom guide with stable and comfortable running properties in a wide variety of applications, from wardrobes to kitchens.



SLIDO F-PARK72.

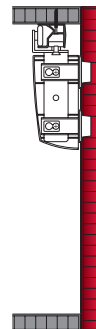
MAXIMUM FREE SPACE.

Slido F-Park72 provides free space or order as desired, featuring a unique pivot sliding system: The invisible doors stowed next to the furniture allow free access or hide the cabinet contents behind a homogeneous front panel. Thanks to pre-assembly and simple installation steps, Slido F-Park72 is the ideal solution wherever living areas merge, such as in open kitchens or walk-in closets.



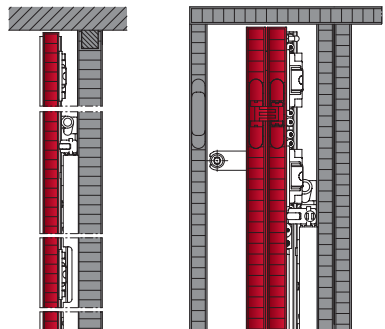
Slido F-Fold61 25A/50A

- > Vorfront, Mixfront or Infront folding sliding solution for wooden or aluminium frame doors without bottom guides.
- > For door leaf pair widths up to 1,200 mm.
- > Door weight up to 25 kg or 50 kg.
- > Use with standard hinges.



Slido F-Park72 50A/60B

- > Vorfront, Mixfront or Infront pivot sliding solution for wooden doors. Also suitable for niche installation.
- > Sets for 1 or 2 doors.
- > Concealed parking of the doors next to the side panel.
- > Door weights up to 60 kg.
- > Handle-free design possible.



SLIDO DOOR.

VARIETY IN MOTION.

Sliding doors open up (free) spaces: with their space-saving function, the sophisticated solutions from Slido Door give rooms a new feeling of spaciousness and, thanks to their extensive design options, also leave plenty of room for creativity. The ease of use and gentle sliding convenience make Slido Doors ideal companions when planning innovative room experiences.



LINE Linear.

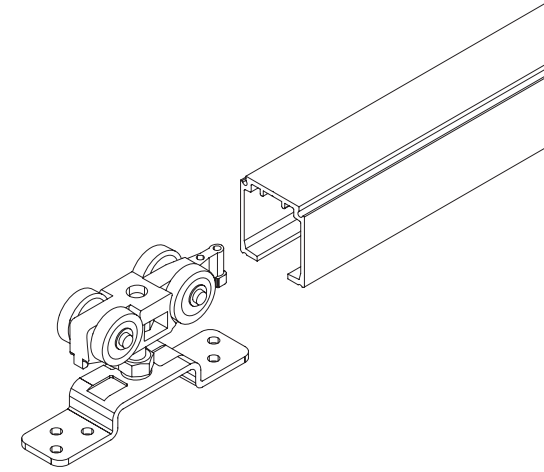
- Slido D-Line11
- Slido D-Line12
- Slido D-Line802
- Slido D-Line43

SLIDO DOOR

SLIDO D-LINE11.

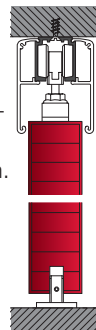
ONE FOR ALL.

A coordinated modular system for wooden or glass doors in different weight classes and applications is what distinguishes Slido D-Line11: With a uniform track and accessory system, design freedom is the essence, from wall or pocket mounting to (integrated) ceiling installation and Synchro opening and stacking. The new generation of the soft and self closing mechanism with fluid technology and the optional Push-to-Open function provide easy, convenient and smooth operation, even under heavy use.



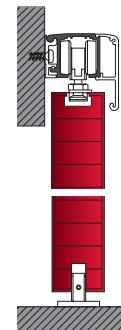
Slido D-Line11 P

- > For wooden sliding doors.
- > Ceiling installation or wall mounting.
- > Suspension with screwed-on support flange.
- > Front panel height 68 mm.
- > Door weights up to 50 kg, 80 kg, 120 kg, 160 kg, or 240 kg.
- > Synchronized opening.



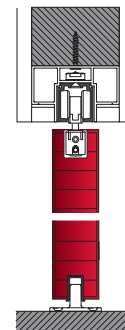
Slido D-Line11 C

- > For wooden sliding doors.
- > Ceiling installation or wall mounting.
- > Suspension with recessed flange clip.
- > Front panel height 56 mm.
- > Door weights up to 50 kg, 80 kg, 120 kg, 160 kg, or 240 kg.



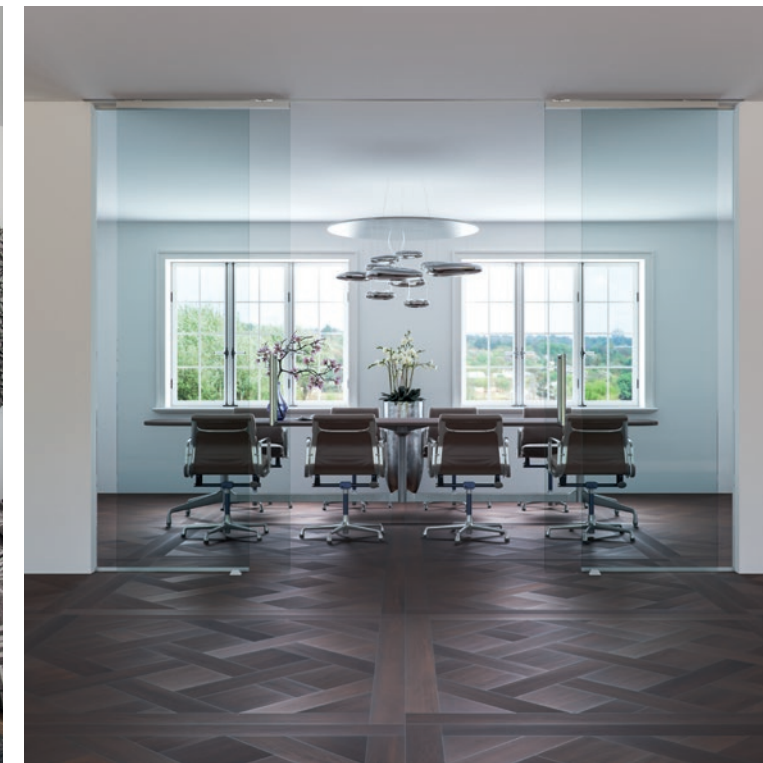
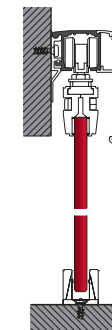
Slido D-Line11 I

- > For wooden sliding doors.
- > Ceiling installation or wall mounting and wall pocket installation.
- > Suspension with integrated support flange.
- > Front panel height 33 mm.
- > Door weights up to 50 kg, 80 kg, or 120 kg.



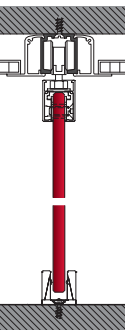
Slido D-Line11 L

- > For glass sliding doors.
- > Ceiling installation or wall mounting.
- > Suspension with glass clamping without glass preparation.
- > Front panel height from 33 mm.
- > Door weights up to 50 kg, 80 kg, 120 kg, 160 kg, or 240 kg.



Slido D-Line11 J

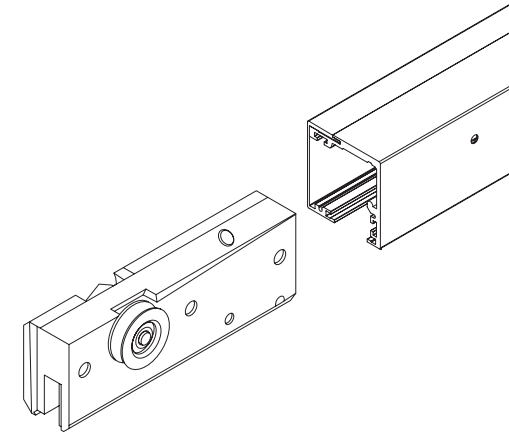
- > For glass sliding doors.
- > Ceiling installation or wall mounting.
- > Suspension with positive-fit glass clamping (glass preparation required).
- > Front panel height from 33 mm.
- > Door weights up to 50 kg, 80 kg, or 120 kg.



SLIDO D-LINE12.

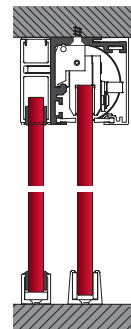
COMFORT AND STYLE.

Slido D-Line12 provides maximum installation convenience due to its easily accessible track with removable front panel. The optional fixed element connection and wall spacer profiles open up additional areas of application for wooden and sliding glass solutions, optionally with integrated ceiling installation, fixed element and also with Synchro opening. The available unusual surface in black offers an additional design boost.



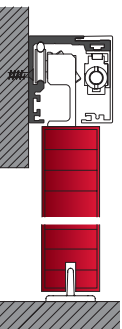
Slido D-Line12 F

- > For glass sliding doors.
- > Ceiling installation or wall mounting.
- > Suspension with glass clamping without glass preparation.
- > Front panel height 60 mm.
- > Door weights up to 40 kg, 50 kg, 80 kg, or 120 kg.
- > Door height adjustable.



Slido D-Line12 F

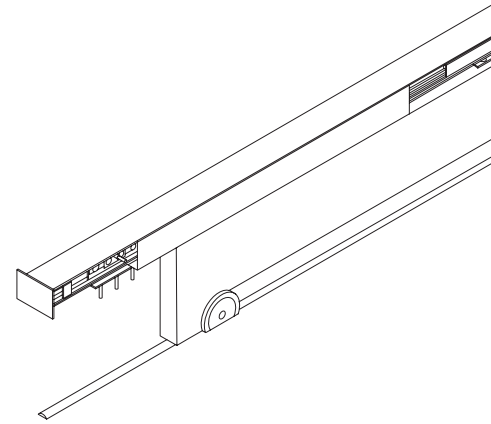
- > For wooden sliding doors.
- > Ceiling installation or wall mounting.
- > Suspension with screwed-on support flange.
- > Front panel height 60 mm.
- > Door weights up to 40 kg, 50 kg, 80 kg, or 120 kg.
- > Door height adjustable.



SLIDO D-LINE802.

MOVING DESIGN.

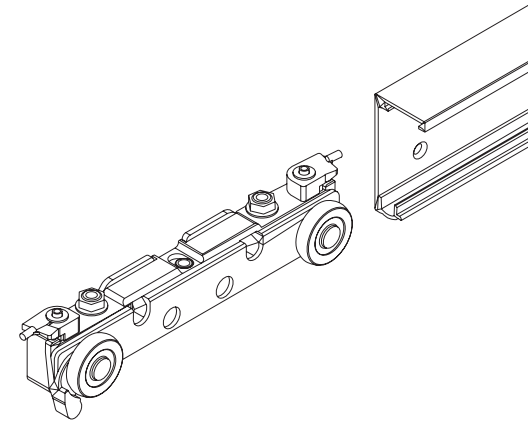
The special feature of the single and double-leaf Slido D-Line802 sliding door system is the elegant design element: A distinctive stainless steel roller in the shape of a full circle or segment circle. Slido D-Line802 is available for wooden and glass doors for wall mounting or ceiling installation.



SLIDO D-LINE43.

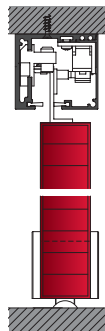
FLOATING ELEGANCE.

Wooden and aluminium framed doors move as if by magic and open the full passage width. Slido D-Line43 ensures elegant design without visible fittings. On hard floors, a bottom track can even be dispensed with as the bottom guide is also invisibly integrated.



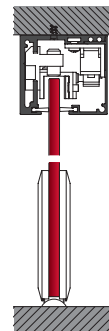
Slido D-Line802 150T

- > For wooden sliding doors.
- > Ceiling installation or wall mounting.
- > Guide track height 45 mm.
- > Door weights up to 150 kg.
- > Segment circle roller made of stainless steel.



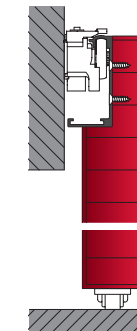
Slido D-Line802 150U

- > For glass sliding doors.
- > Ceiling installation or wall mounting.
- > Guide track height 45 mm.
- > Door weights up to 150 kg.
- > Full circle roller made of stainless steel.



Slido D-Line43 80M

- > For wooden sliding doors.
- > Wall mounting.
- > Invisible running system.
- > Door weights up to 80 kg.



Slido D-Line43 80N

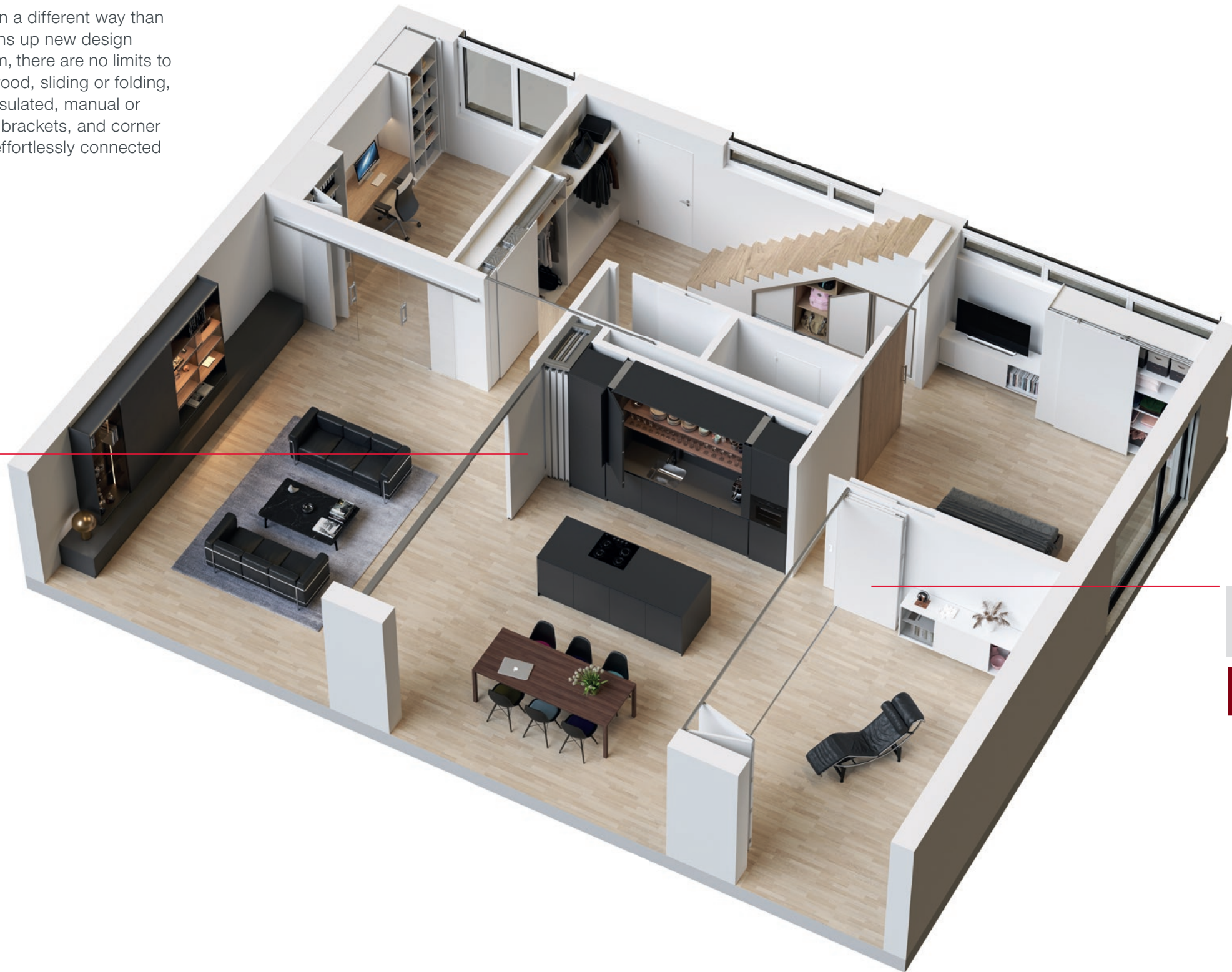
- > Sliding frame door.
- > Wall mounting.
- > Invisible running system.
- > Door weights up to 80 kg.
- > Frame colour black or silver anodised.



SLIDO WALL.

ATMOSPHERE IN MOTION.

Slido Wall combines technology and design in a different way than previously known. Lifts boundaries. And opens up new design freedom. With our mobile partition wall system, there are no limits to look and function: Whether in glass or with wood, sliding or folding, transparent or opaque, soundproof or non-insulated, manual or electronic. Thanks to intelligent connections, brackets, and corner elements, the wall segments can always be effortlessly connected or separated, moved and stored.



PARK Parking.
Slido W-Park11
Slido W-Park31



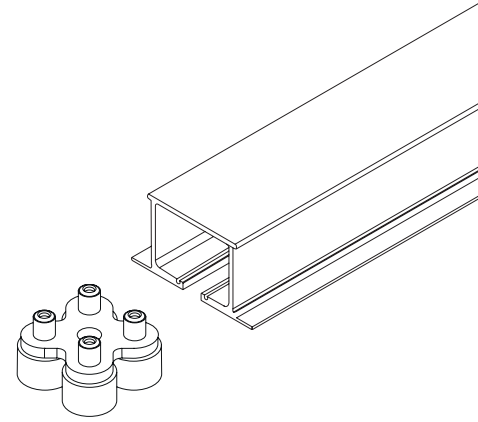
FOLD Folding.
Slido W-Fold32
Slido W-Fold11

SLIDO WALL

SLIDO W-PARK11.

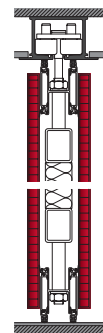
INTELLIGENT VARIABLE.

Slido W-Park11 combines function and look: Flexible room division with partition elements in different shapes, colours, and materials. When the partition wall is opened, it can be discreetly moved out of sight: whether as a package or linearly, in niches or completely invisible. Depending on the version, the parking variant is supported by a 1 or 2-point suspension and can be operated manually or semi-automatically. Slido W-Park11 offers additional soundproofing.



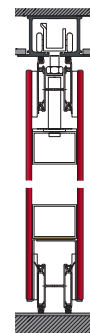
Slido W-Park11 110A

- > Wooden sliding wall.
- > Wood and glass versions can be combined.
- > Ceiling installation, optionally integrated.
- > With sound insulation (RwP 36–58 dB).
- > Door weights up to 1,600 kg.
- > Installation height 1,500–15,000 mm.
- > Cladding of your choice.



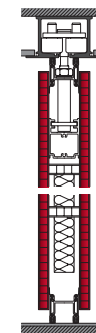
Slido W-Park11 100A

- > Glass sliding wall.
- > Wood and glass versions can be combined.
- > Ceiling installation, optionally integrated.
- > With sound insulation (RwP 44 or 46 dB).
- > Door weights up to 350 kg.
- > Installation height 1,500–6,000 mm.
- > Double-skin tempered safety glass 8 mm or laminated glass 10.7 mm, partly lacquered (RAL colour).



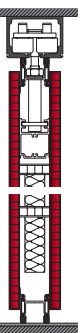
Slido W-Park11 90A

- > Wooden sliding wall.
- > Ceiling installation, optionally integrated.
- > With sound insulation (RwP 37–48 dB).
- > Door weights up to 350 kg.
- > Installation height 1,500–4,050 mm.
- > Cladding of your choice.



Slido W-Park11 80A

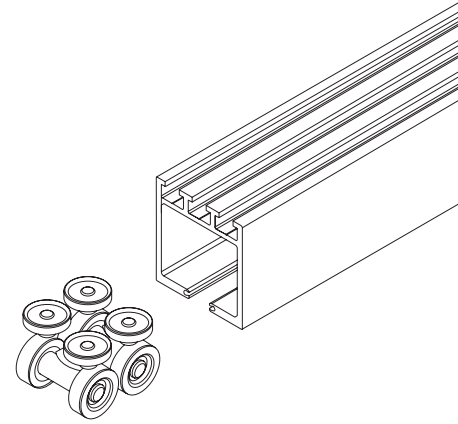
- > Wooden sliding wall.
- > Ceiling installation, optionally integrated.
- > With sound insulation (RwP 36–44 dB).
- > Door weights up to 200 kg.
- > Installation height 1,500–3,050 mm.
- > Cladding of your choice.



SLIDO W-PARK31.

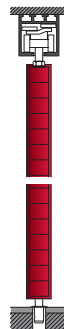
FLEXIBLE EXPANSE.

Slido W-Park31 enables the individual design of spaces and rooms thanks to a wide variety of designs and applications and high level operating comfort. If required, the elements disappear completely with sophisticated technology. The parking variant is supported by a 2-point suspension and can be operated manually. The wood and glass variants, Slido W-Park31 150S and Slido W-Park31 150R, can be combined with one another.



Slido W-Park31 150S

- > Wooden sliding wall.
- > Wood and glass versions can be combined.
- > Ceiling installation, optionally integrated.
- > Not sound absorbing.
- > Door weights up to 150 kg.
- > Installation height 1,500–3,500 mm.



Slido W-Park31 150R

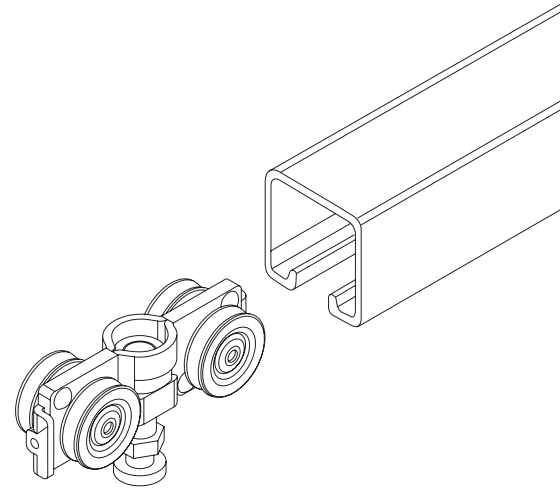
- > Glass sliding wall.
- > Wood and glass versions can be combined.
- > Ceiling installation, optionally integrated.
- > Not sound absorbing.
- > Door weights up to 150 kg.
- > Installation height 1,500–3,500 mm.



SLIDO W-FOLD32.

FOLD TO SAVE SPACE.

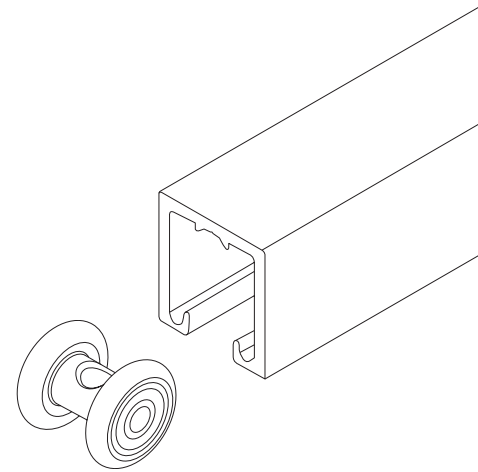
With Slido W-Fold32, rooms can be easily subdivided or partitioned and the elements folded together at the side, which saves space. Be it with wooden or glass elements or as a folding wall, with or without a passage door – Slido W-Fold32 creates new zones with ease.



SLIDO W-FOLD11.

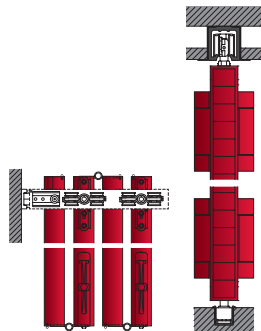
LIGHTWEIGHT PRIVACY PROTECTION.

The convenient Slido W-Fold11 folding walls create new zones in no time at all. Rooms can be opened and separated at any time with ease, creating opportunities for retreat and variable use.



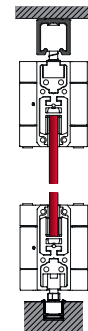
Slido W-Fold32 100T

- > Wooden sliding folding wall.
- > Corner and centre suspension.
- > Integrated ceiling installation possible.
- > Can be implemented as a one-sided or two-sided system.
- > Can be installed with and without bottom guide.
- > Door weights up to 100 kg.
- > Door height up to 3,500 mm.
- > Door width: 500–1,000 mm
- > Door thickness: 35–60 mm.



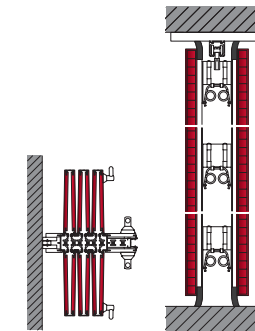
Slido W-Fold32 100G

- > Glass sliding folding wall.
- > Corner and centre suspension.
- > Integrated ceiling installation possible.
- > Can be implemented as a one-sided or two-sided system.
- > Can be installed with and without bottom guide.
- > Door weights up to 100 kg.
- > Door height up to 3,000 mm.
- > Door width: 500–1,000 mm.
- > Glass thickness 10-10.7 mm and 12-12.7 mm (tempered safety glass and laminated glass can be used).



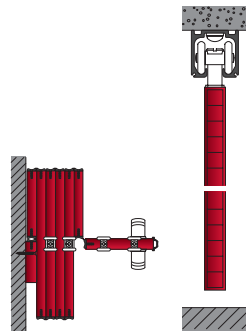
Slido W-Fold11 160A

- > Wooden sliding folding wall.
- > Ceiling installation.
- > With sound insulation (RwP 28–46 dB).
- > Door weights up to 160 kg per running metre.
- > Installation height 1,500–3,700 mm.
- > Cladding of your choice.



Slido W-Fold11 100A

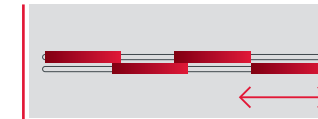
- > Wooden sliding folding wall.
- > Ceiling installation.
- > Door weights up to 100 kg per running metre.
- > Installation height 1,500–3,700 mm.
- > Cladding of your choice.
- > Slat width: 120 mm, 150 mm, 200 mm, or 250 mm.



SLIDO ROOM.

ACCENTS IN MOTION.

Space is a luxury good. Using it properly is a challenge. Slido Room makes more of your home: More living space, more storage space, more individuality, and more functionality. Slido Room structures and divides rooms. It delimits areas from one another without fully separating them, creates quiet zones, and creates order. With sophisticated technology and a wide range of design and application options, every room becomes an all-rounder.



LINE Linear.
Slido R-Aluflex

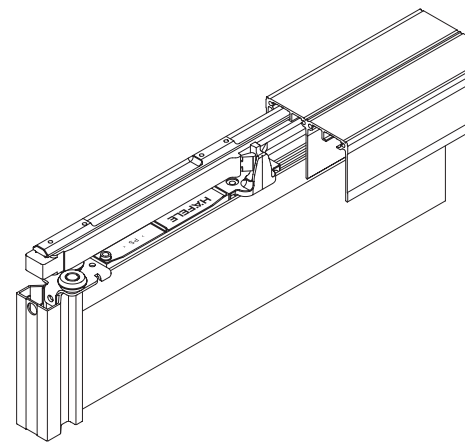
SLIDO ROOM

SLIDO R-ALUFLEX.

CREATING THE MORE.

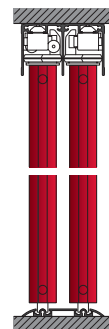
Slido R-Aluflex offers the right solution for every application. For walk-in closets or storage space under stairs and in sloping ceilings or knee walls – this is where the system shows how adaptable it is.

As a room divider, Slido R-Aluflex creates separate areas and ensures a better quality of life in newly created zones. Rooms become flexible and yet retain their lightness and spaciousness.



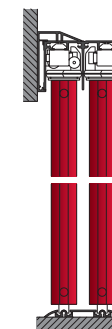
Slido R-Aluflex 80A

- > Flexible room design – separating or opening adapted to the desired use.
- > Door weights up to 80 kg.
- > Gentle opening and closing thanks to soft and self closing mechanism.
- > Large selection of panel materials and accessories.



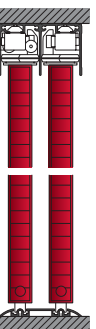
Slido R-Aluflex 80A

- > As storage space solutions, there is the possibility of integrating the dressing room and the bathroom and separating them if necessary.
- > Door weights up to 80 kg.



Slido R-Aluflex 80W

- > Sliding door fitting for floor-to-ceiling wooden sliding doors.
- > Compatible with Slido R-Aluflex 80A.
- > Bottom running track for recess mounting or glue fixing.
- > Door weights up to 80 kg.



© Häfele UK 2021

No part of this catalogue may be reproduced,
photocopied or stored in any data retrieval
system without written permission.

HÄFELE

732.01.401 - 09/2021 - HÄFELE SLIDO. IDEAS IN MOTION 2021

Häfele UK Ltd | Swift Valley Industrial Estate | Rugby | Warwickshire | CV21 1RD | Registered in England No. 1486136

Phone: 0800 171 2909 | **Fax:** 01788 544440 | **Email:** info@hafele.co.uk | **Technical:** 0800 171 2908

hafele.co.uk