

HÄFELE



EXCLUSIVE
TO
HÄFELE

10
YEAR
GUARANTEE

ON
WIREWORK

WIREWORLD
FROM HÄFELE

WIREWORLD FROM HÄFELE

INTRODUCING OUR RANGE OF
WIREWORLD, MANUFACTURED
EXCLUSIVELY FOR HÄFELE AND
GUARANTEED FOR 10 YEARS.



Our latest range of wirework perfectly combines day-to-day functionality with elegant Italian styling and is available as both a sleek flat chrome bar design as well as the traditional rounded bar to suit different kitchen design requirements and budgets. We are so confident in its quality we have added a 10-year guarantee to each product shown in this range*.

Our range:

- > Swing out larder unit
- > Pull out larder unit
- > Pull and swing corner units
- > Pull out storage basket
- > 150 mm 2 tier storage basket

Features:

- > 10-year guarantee
- > Sleek flat chrome bar with white base for increased stability
- > Chrome linear wire for a classic finish
- > Ideal for retrofitting
- > Smooth movement
- > Easy access via a pull or swing out function means no more reaching into shelves

*For full T&Cs please visit www.hafele.co.uk/guarantee



ORDERING MADE EASY

FREE* NEXT DAY DELIVERY ON ORDERS OVER £50

- > **ORDERING** – over the phone or online, we process your order quickly and efficiently
- > **DELIVERIES** – next day delivery as standard, for orders up to 5pm*
- > **RETURNS AND AFTERSALES** – easy returns process with 0% handling fee*

*T&Cs apply




IF YOUR PURCHASE ISN'T RIGHT, YOU CAN NOW MANAGE YOUR RETURN QUICKLY AND EASILY ONLINE OR THROUGH YOUR ACCOUNT AT

HAFELE.CO.UK/MYHAFELE

0% HANDLING FEE ON RETURNS*

ORDER UP TO 5PM FOR **FREE*** NEXT DAY DELIVERY



*T&Cs apply

 **ONLINE**
hafele.co.uk

 **FREEPHONE**
0800 171 2909

 **YOUR ACCOUNT**
hafele.co.uk/myhafele

 **TRADE COUNTER**
hafele.co.uk

Our nationwide network of over **221 Häfele Trade Partners** offer counter service for you to browse the products you are looking for, and friendly advice where you need it.

ONLINE
hafele.co.uk/tradepartnerlocator

Key to logos



Fixing screws are included



Mounting - Denotes centre, side or base mounting products



Unhanded - Denotes that this product is not handed



Hinged door cabinet width - Denotes width for hinged cabinets



Weight capacity - Shows weight capacity of shelf/baskets



Handed - Denotes left and right handed products



Fixed door cabinet width - Denotes width for front fixed cabinets



Soft closing



Häfele lifetime guarantee- Denotes the length of guarantee

Please see the information online for further details on the Häfele lifetime guarantee

*For full T&Cs please visit www.hafele.co.uk

SWING OUT LARDER UNITS

Side and base mounted pull out and swing larder unit for hinged door fixing, available for 300, 400, 500 or 600 mm cabinet widths with five chrome baskets with solid white base or chrome plated steel linear wire baskets included.



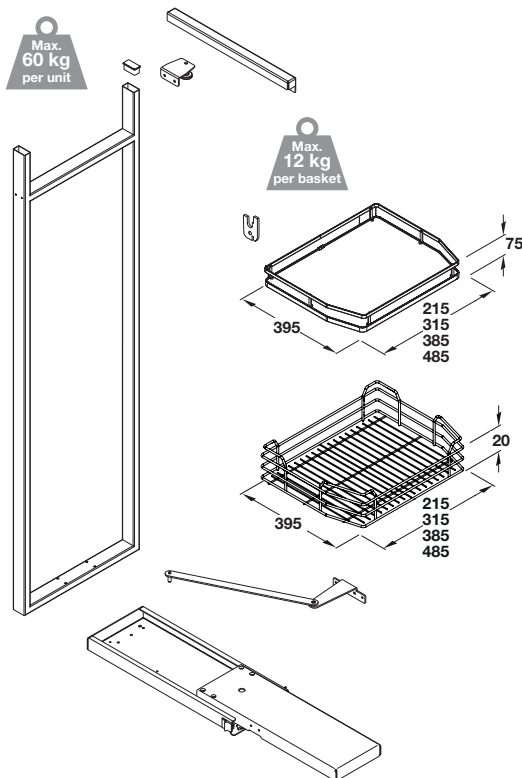
Swing out larder unit for 300 mm cabinet width, chrome-plated steel wire with white solid base baskets shown



Swing out larder unit for 600 mm cabinet width, chrome-plated steel wire baskets shown



Swing out larder unit complete set, full extension



- > For installed heights:
 - Min. 1750 mm: 5x baskets included, chrome-plated steel wire with white solid base or chrome-plated steel linear wire
- > Can be used in taller height cabinets as top runner is side mounted (non-handed)
- > Built-in depth min. 470 mm
- > Built-in width min. 255/355/445/545 mm
- > For cabinet widths 300, 400, 500 or 600 mm
- > Recommended hinges (not included):
 - 300-400 mm - 110°/120°
 - 500-600 mm - 110°/170°
 If soft closing required, hinges with damper must be used
- > Set includes:
 - 1x Frame set; 1x frame
 - 1x Runner set; top side roller guide and bottom runner
 - 1x Basket set: 5 baskets and 10 basket hooks
 - 2x Door brackets
 - Fixing materials and fitting instructions
- > If using a 2 piece door, door straps will be required (not supplied)
- > Cabinet is not included
- > Order qty: 1 set



For cabinet width	Basket width	Chrome/white base	Chrome wire
300 mm	215 mm	549.86.724	549.87.924
400 mm	315 mm	549.86.734	549.87.934
500 mm	385 mm	549.86.754	549.87.954
600 mm	485 mm	549.86.774	549.87.974



Not suitable for use with shaker style cabinet doors

PULL OUT LARDER UNITS

Centre mounted larder units allowing access from either side. Bottom mounted, soft close runner ensures smooth opening and closing. Available for 300 or 400 mm cabinet widths with five chrome baskets with solid white base or chrome plated steel linear wire baskets included.

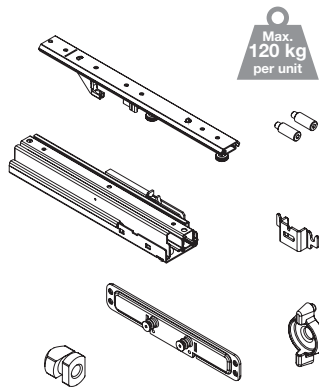
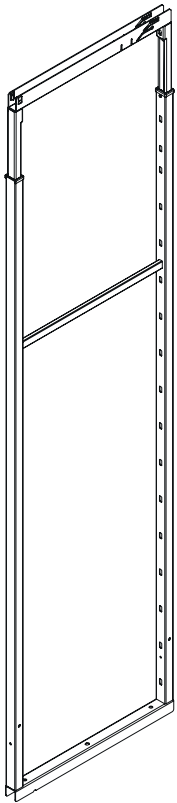


Pull out larder unit, chrome-plated steel wire with white solid base baskets shown



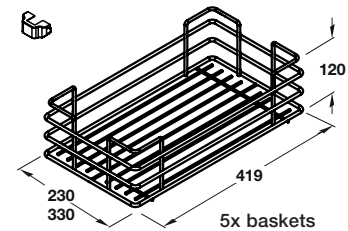
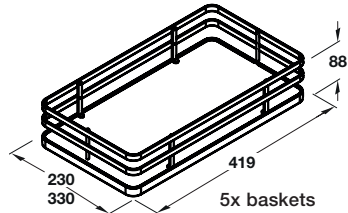
Pull out larder unit, chrome-plated steel wire baskets shown

Larder unit complete set, centre mounting, height adjustable



Max.
120 kg
per unit

Basket set:
5x Baskets including
cover to hide screws



- > For installed heights:
- > 1880-2180 mm: 5x baskets included
- > Built-in depth: 485 mm
- > For cabinet widths 300 or 400 mm
- > Set includes:
 - 1x Hanging frame, silver epoxy coated tubular steel, height adjustable, with mounting accessories
 - 1x Roller runner and top roller guide, silver epoxy coated steel, load carrying capacity 120 kg.
 - 5x baskets, chrome-plated steel wire with white solid base or chrome plated steel linear wire, including cover to hide screws
 - 3x brackets to fix cabinet doors to larder units, silver epoxy coated steel
 - Fixing materials and fitting instructions
- > If using a 2 piece door, door straps will be required (not supplied)
- > Cabinet is not included
- > Order qty: 1 set

WOREWORK FROM HÄFELE 2022. © Häfele U.K. Ltd 2022. Dimensional data not binding. We reserve the right to alter specifications without notice.



For cabinet width	300 mm	400 mm
Basket width	230 mm	330 mm
Basket type		
Chrome/white base	549.87.614	549.87.634
Chrome wire	549.87.814	549.87.834

SWING OUT CORNER UNIT

This swing out storage unit gives excellent access to a hard to reach spot. Featuring soft closing runners and available in two basket styles, the unit can be installed in 800, 900 and 1000 mm cabinets.

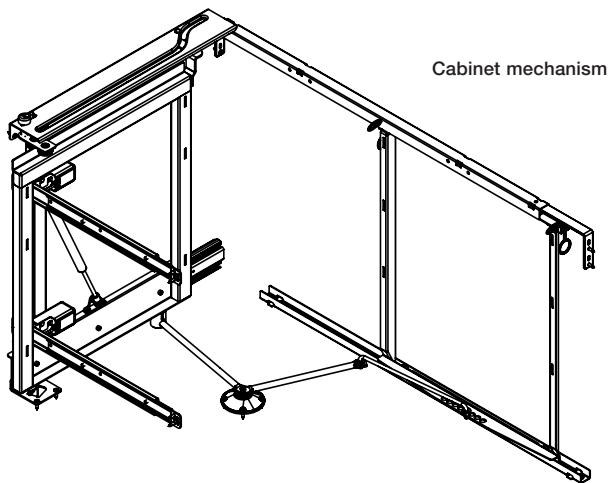


Photo shows chrome wire baskets, left hand version



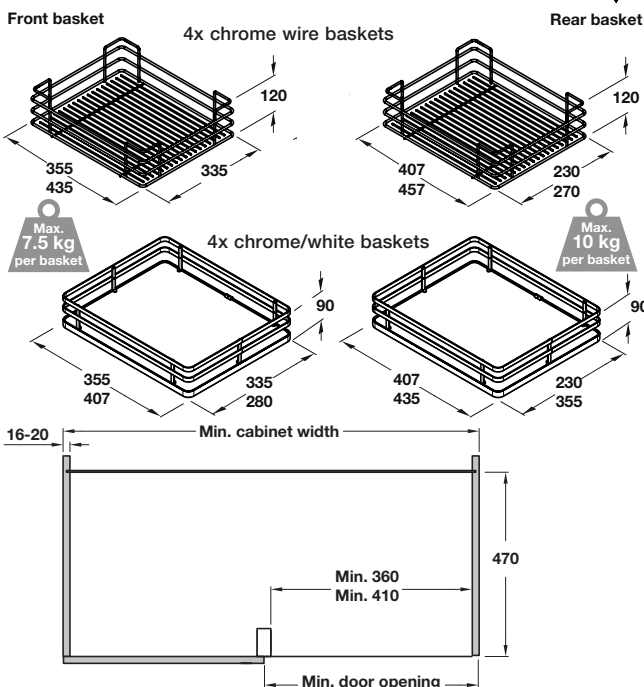
Photo shows steel wire with white solid base, right hand version

Swing out corner unit complete set



Cabinet mechanism

- > Installed height: 580 mm
- > Built-in depth: 470 mm
- > For minimum cabinet width 800 or 900 mm
- > Total weight capacity max. 35 kg
- > Weight capacity per basket max. 7.5 kg (front), 10 kg (rear)
- > Set includes:
 - 1x Cabinet mechanism
 - 4x Storage baskets
 - Fixing materials and fitting instructions
- > Cabinet is not included
- > Order qty: 1 set



For cabinet width	800 mm	900/1000 mm
For door width	400 mm	450/500/600 mm
Chrome wire baskets		
Left hand	549.38.248	549.86.194
Right hand	549.38.249	549.86.195
White/chrome baskets		
Left hand	549.38.748	549.86.196
Right hand	549.38.749	549.86.197

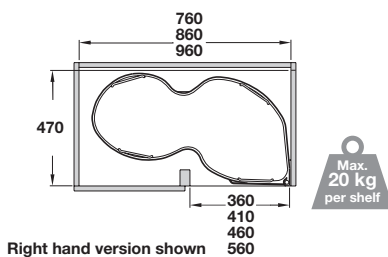
CORNER UNIT

Corner unit now available with flat bar railings. Ideal for retrofitting. Shelves operate independently of each other.



Right hand version, installed with pull out frame

Corner pull out shelving unit, white base with polished chrome flat bar rail

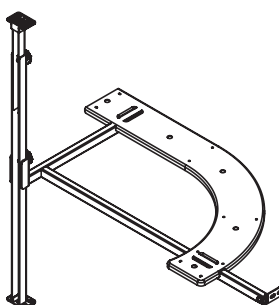


- > Installed height per shelf: 150 mm
- > Built in depth: 470 mm
- > For minimum cabinet widths 800, 900 or 1000 mm
- > 1 guide fixes to cabinet shelf, 1 guide to base of cabinet, pivoting mechanisms fix to cabinet sides
- > Please note: Cabinet shelf must be installed in cabinet (not included) unless corner pull out frame is used (shown below)
- > Trays operate independently
- > Ideal for retro fitting
- > Set includes:
 - 2x White melamine wooden shelves with chrome-plated flat bar rail
 - 2x White plastic guides
 - 2x Pivoting mechanisms
 - Fixing materials and fitting instructions
- > Cabinet is not included
- > Order qty: 1 set



For cabinet width	800 mm	900 mm	1000 mm	1000 mm
For door width	400 mm	450 mm	500 mm	600 mm
Left hand	549.42.341	549.42.346	549.42.351	549.42.361
Right hand	549.42.340	549.42.345	549.42.350	549.42.360

Corner pull out frame



- > For use with all corner pull out shelving units shown above
- > Allows fitting of the Häfele shelving unit without cabinet shelves being installed in cabinet
- > Steel frame, fully adjustable between 640 - 760 mm
- > Order qty: 1 set



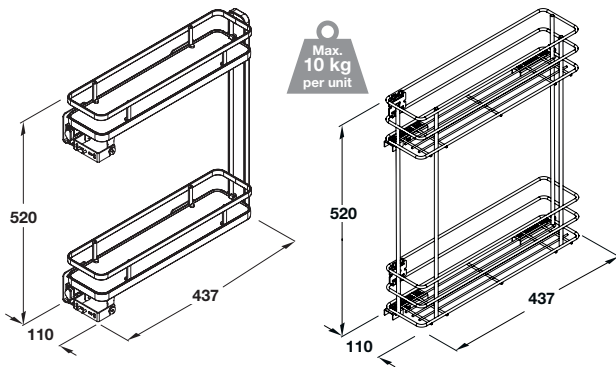
	Left hand	Right hand
Cat. No.	549.42.991	549.42.990

150 MM PULL OUT STORAGE UNIT

Two tier pull out storage basket, side mounted with full extension runners included. Available for 150 mm cabinet widths with five chrome baskets with solid white base or chrome plated steel linear wire baskets included.



150 mm pull out storage unit, full extension



Shelf dimensions
(H x W x D): 75 x 100 x 412 mm

- > For minimum 150 mm cabinet width
- > Built-in depth: 445 mm
- > Left handed
- > Set includes:
 - 1x Two tier storage basket, chrome-plated steel with white solid base or chrome plated steel linear wire
 - 2x Full extension ball bearing runners, galvanized steel
 - 2x Door brackets, galvanized steel
 - Fixing materials and fitting instructions
- > Cabinet is not included
- > Order qty: 1 pc



For 150 mm cabinet width	Chrome/white	Chrome wire
Left handed	549.27.230	549.10.210

PULL OUT STORAGE BASKETS

Single pull out storage basket set, side mounted with full extension runners included. Available for 300, 400, 500 or 600 mm cabinet widths with chrome basket with solid white base or chrome plated steel linear wire basket included.



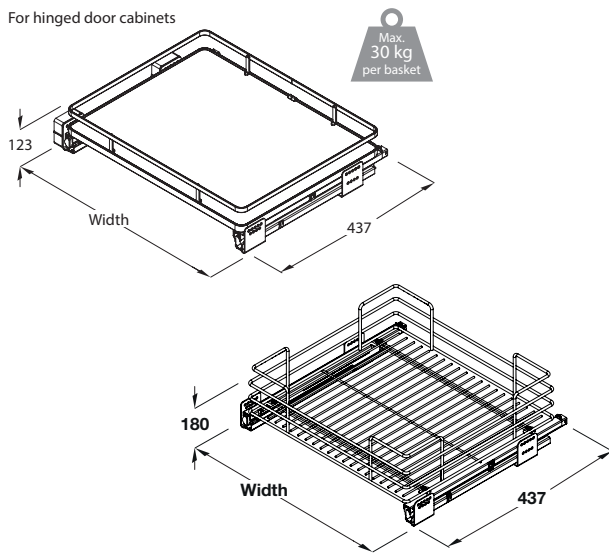
Photo shows two sets of chrome/white baskets installed in a cabinet with hinged door



Photo shows five sets of chrome wire baskets installed in a cabinet with hinged door

Pull out basket set, full extension

For hinged door cabinets



- > To suit 300, 400, 500 or 600 mm cabinet widths with 15/16 or 18/19 mm board thickness
- > Built-in depth: 445 mm
- > Basket depth: 437 mm
- > Stated basket width includes basket, runners and spacer
- > Set includes:
 - 1x Storage basket, chrome-plated steel and white solid base or chrome plated steel linear wire basket
 - 1x Pair concealed full extension runners, galvanized steel
 - Fixing materials and fitting instructions
- > Cabinet is not included
- > Order qty: 1 set

WOREWORK FROM HÄFELE 2022. © Häfele U.K. Ltd 2022. Dimensional data not binding. We reserve the right to alter specifications without notice.

Soft Closing

Side Mounting

300

400

500

600

10 YEARS

Fixings included

For cabinet width	Built-in width	Chrome/white	Chrome wire
300 mm	264 mm	540.03.701	540.03.261
400 mm	364 mm	540.03.703	540.03.253
500 mm	464 mm	540.03.705	540.03.255
600 mm	564 mm	540.03.707	540.03.257

© Häfele UK 2021

No part of this catalogue may be reproduced,
photocopied or stored in any data retrieval
system without written permission.

HÄFELE

732.04.357-12/2021-HÄFELE WIREWORK BROCHURE

Häfele UK Ltd | Swift Valley Industrial Estate Rugby Warwickshire CV21 1RD Registered in England No. 1486136

Phone: 0800 171 2909 **Fax:** 01788 544440 **Email:** info@hafele.co.uk **Technical:** 0800 171 2908