



HÄFELE



www.hafele.co.uk

INCLUSIVE LIVING
DIRECTORY 2023

INCLUSIVE LIVING DIRECTORY FROM HÄFELE

The term 'inclusive' has evolved significantly since Häfele began helping people make the most of their home environment 100 years ago. The understanding that people themselves are not disabled, but that environments are disabling, has changed the focus to design that creates accessibility for all. This means that no longer is the focus solely on wheelchair users, but incorporates design to support those with visual, sensory, motor, neurological or cognitive impairments for example, as well as supporting future-proofing of environments that can maximise independent activity in the long-term.

Therefore, it is not often that a 'one size fits all' design will facilitate a truly inclusive design package. It is important to understand the customer, their specific design needs and how they engage in activity.

Häfele's Inclusive Living Directory brings together a collection of high-quality products and components that support this inclusive value, from height adjusting and space generating, through to creation of colour contrast and task lighting packages.

Häfele also understands the importance of aesthetics, with customers wanting design options that suit their personal choice and personality rather than clinical and sterile, therefore the collection delivers products that are stylish, whilst meeting the needs of the individual and the environment in which they live, work, or engage in.



INCLUSIVE LIVING 2023, © Häfele U.K. Ltd 2023. Dimensional data not binding. We reserve the right to alter specifications without notice.

FEATURED BRANDS

Here at Häfele, we pride ourselves on offering an extensive range of product and solutions to aid inclusive design throughout the home. We've partnered with some of the world's leading manufacturers, to bring you only the best quality products to meet this goal. We also, will only work with top brands who share our core values of exceptional quality and superior performance.

ROPOX

Ropox truly understand the concept of inclusion and accessibility. Their products focus entirely on the creation of stylish, flexible, user-friendly, and accessible environments based on the ethos that a person is not disabled, an environment is disabling. Across the home or work environment, but in particular within bathrooms, kitchens, and workspaces, Ropox's expertise and experience gives the customer the reassurance that they will receive the best advice and design recommendations to meet their current and future needs.



NYMAS GROUP

Nymas Group is a specialist provider of design-led washroom accessories, sanitaryware and Doc M packs that enhance experiences and provide dignified, inclusive spaces for every body.

Their accessible washroom range includes the durable cost effect Nyma Pro, Nyma Care for high use public washrooms and Nyma Style which combines premium materials with contemporary designs.



VAUTH SAGEL

Vauth-Sagel has stood for contemporary and innovative storage solutions for over 60 years. The family owned and managed business develops, manufactures and sells system components that are aimed at making people's lives more comfortable. Vauth-Sagel wants to help everyone to rediscover comfortable living environments and create space. With this mission, Vauth-Sagel accommodates the needs of its customers around the world with ground-breaking inspirational innovations that they can include in their designs.



INCLUSIVE LIVING 2023. © Häfele U.K. Ltd 2023. Dimensional data not binding. We reserve the right to alter specifications without notice.

CONTENTS

INCLUSIVE LIVING

Section 1

Inclusive Kitchens

Guide to Inclusive Kitchens	1.2
Ropox	1.4
Worktop frames	1.4
Wall cabinets	1.16
Island/versatile solutions	1.20
Brackets	1.21
Preparation pull out tables	1.22
Storage	1.26
Larder unit storage	1.28
Corner and base unit storage	1.32
Drawers	1.42
Waste Bins	1.46
Sinks and Taps	1.50
Appliances	1.54
Worktops and Splashbacks	1.56
Furniture handles	1.60
Profiles for handle free applications	1.68
Lighting and Electrical	1.70
Sliding door fittings	1.74

Section 2

Inclusive Bathrooms

Guide to Inclusive Bathrooms	2.2
Sanitary fittings	2.4
Doc M	2.4
Grab rails	2.16
Shower seats and brackets	2.16
Ropox	2.20
Wash basins	2.20

KEY TO LOGOS



Häfele lifetime guarantee - Denotes the length of guarantee

Please see the information online for further details on the Häfele lifetime guarantee



Fixing screws are included



Fixing required - Denotes the size and type of fixings required. We recommend Hospa screws



Soft closing



Runner extension - Denotes the length of runner extension



Tested cycles - Denotes how many cycles the product has been tested to

CASE STUDY **BESPOKE TRADE KITCHENS**

REDEFINING ACCESSIBILITY WITH HÄFELE'S ROPOX SOLUTIONS

When it comes to creating adaptive spaces, customers like Bespoke Trade Kitchens – a Leicester-based business specialising in quality kitchen solutions – continue to explore how best to meet the needs of all kitchen users. On a mission to create their first accessible, multi-functional showroom, the business partnered with Häfele to transform their existing display into a space that caters to the diverse needs and abilities of all customers.

Bespoke Trade Kitchens designer Jacob Smith also played a pivotal role in this transformation. His personal story of a life-changing accident, which now requires him to use a wheelchair, ignited his passion for raising awareness around accessibility – providing valuable insights into the challenges faced by individuals with mobility limitations.

The Challenge: Reimagining the Accessible Kitchen

Addressing issues such as limited mobility and wheelchair access, the primary challenge of Bespoke Trade Kitchens was to ensure that the showroom was accessible to customers with varying physical abilities. From wheelchair users seeking easy access to storage cupboards, to children requiring low-level worktop space, the business's vision centred around re-defining the accessible kitchen into something multi-functional and multi-generational – to be enjoyed by family and friends of all ages and all abilities.

The Solution: Häfele x Ropox

Working closely with the design team from start to finish, Häfele provided a range of solutions to help Bespoke Trade Kitchens create their first inclusive showroom – from easy-to-reach cabinets to pull-out shelving.



Häfele Team Assist with Bespoke Trade Kitchens Designer Jacob Smith

Installing the Ropox height-adjustable worktop system, height-adjustable stovetop area and adjustable shelving for wall units, Bespoke Trade Kitchens were able to realise a unique design that re-defined everyday access within the kitchen environment.

"They may look complicated at first, but the products do an amazing job at giving both me and our customers more independence."

– Jacob Smith, Bespoke Trade Kitchens

While Ropox was integrated to demonstrate the functionality of accessible kitchen design, Bespoke Trade Kitchens were also able to create a space that was both practical and aesthetically pleasing: a kitchen for all users to be proud of.



Bespoke Trade Kitchens Designer Jacob Smith with Leicester Tigers Wheelchair Rugby player Jane Henderson

INCLUSIVE LIVING 2023. © Häfele U.K. Ltd 2023. Dimensional data not binding. We reserve the right to alter specifications without notice.

SECTION 1

INCLUSIVE KITCHENS

The kitchen is a space regularly referred to as the 'hub of the home', yet so often overlooked from a design perspective. Kitchens should be stylish yet functional and truly accessible for all.

Consider task lighting, for those with a visual impairment, taking note of the distance between object and light, as halving the distance increases visual sharpness by three times.

For future proofing, or for someone with dementia or confusion/disorientation, consider the use of colour, with particular reference to colour contrast and the Light Reflectance Value (LRV) differences to create clear distinctions between spaces and in particular the room boundaries.

Ensure that wheelchair-accessible design reflects how the individual uses the space - this will be unique for everyone, and how they access each element of the task, not just the 'whole task'.

Access to an accessible kitchen space and the activity it facilitates is a legislative right. Häfele is committed to making this a reality and the products within this range put that value into practice.





INCLUSIVE KITCHENS

HÄFELE QUALITY

Designing an inclusive kitchen is very much about looking at the small details that make a big difference. The design process usually involves assessing the needs of the individual, often in the context of a multi-user family home, and incorporating as many features as possible to ensure that the kitchen is fully functional for everyone.

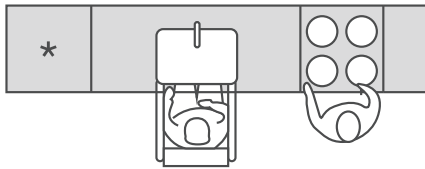
Inclusive design should reflect current trends and style. Most of the items found in today's kitchen can be adapted to meet the needs of various types of user, or as a means to provide clever space saving and easy living solutions within the home. The most important role of the kitchen designer is to know and understand the ergonomics of designing an inclusive kitchen and have knowledge of the design space (dimensions etc.) to ensure that accessibility is comfortable and practical.

Key design considerations:

- > Is there enough space within the design to create a turning circle for a wheelchair?
- > What requirements do the users have regarding flexible working and storage space? Do worktops heights need to be different?
- > How is the kitchen space used today, and how will it be used tomorrow? Do the users need a design that allows a certain workflow?
- > What appliances and accessories need to be incorporated into the design?
- > How will the kitchen space need to be used simultaneously when all the home users are in it?

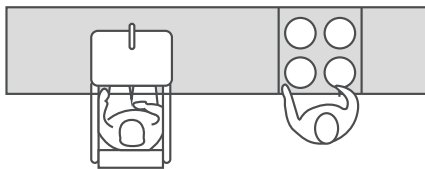


HELP AND ADVICE ON KITCHEN LAYOUTS



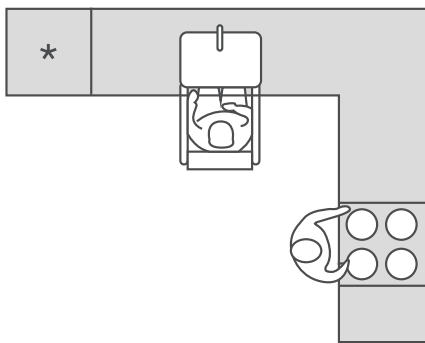
ONE-SIDED KITCHEN

- > Two people can work next to each other
- > Plenty of space for assistance



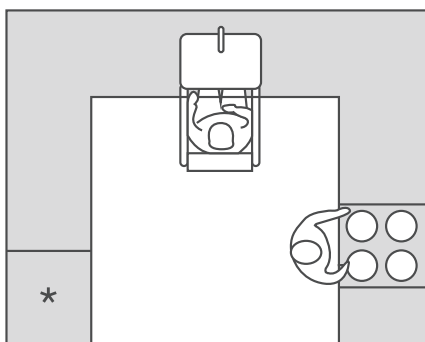
TWO-SIDED KITCHEN

- > People with mobility impairments can lean on worktops on two sides
- > Two independent work places
- > Sink and cooking section should be installed on same side
- > May be difficult for wheelchair turning movement



L-SHAPED KITCHEN

- > Seated and standing users could have independent work stations
- > Easy wheelchair access turning movement



U-SHAPED KITCHEN

- > Objects can be pushed along the entire worktop
- > Easy wheelchair access
- > Greater distances to cover between applications

ROPOX WORKTOP FRAMES

All Ropox systems are high-quality, stable and safe, with modules that may be combined into a variety of individual solutions, making them ideal for wheelchair users and people of various heights. Hobs and sinks can be set into the height adjustable worktops. Control buttons for adjustment of worktop and cupboard height may be placed in the front of the worktop. The buttons are easy to read and operate.



SAFETY IN FOCUS



We recommend safety stop plates below all Ropox wall cabinets to avoid risk of trapping. For further safety, wall cabinets can be connected to worktop frames via Ropox Smartboxes to avoid the trapping risk between wall cabinets and worktops, particularly when the worktops are moved up.



Ropox Smartboxes can avoid the trapping risk between height adjustable worktops installed next to each other. It's important that the side and front fascias have no worktop overhanging.



Ropox safety strips ensure that worktops don't just stop, but reverse their movements immediately when activated.

INCLUSIVE LIVING 2023, © Häfele U.K. Ltd 2023. Dimensional data not binding. We reserve the right to alter specifications without notice.

WORKTOPS THAT ADJUST TO YOU



ROPOX FLEXIMANUAL

- > Quick and easy mounting on wall
- > If the wall is non-loadbearing feet can be added to the frame to increase stability
- > Manual adjustment using hand crank
- > Range of adjustment: 650-950 mm
- > Frame may be cut to suit any length of worktop between 600-3000 mm
- > White painted steel



Ropox Flexi Manual adjustable worktop frames are shown on page **1.6, 8-12**



ROPOX FELXIELECTRIC

- > Quick and easy mounting on wall
- > If the wall is non-loadbearing feet can be added to the frame to increase stability
- > Electrical adjustment
- > Optional placing of hand crank for manual adjustment
- > Electrical adjustment by means of one or two low-noise motors
- > Range of adjustment: 650-950 mm
- > Frame may be cut to suit any length of worktop between 600-3000 mm
- > White painted steel



Ropox Flexi Electric adjustable worktop frames are shown on pages **1.6, 8-12**



ROPOX FLEXICORNER

- > Quick and easy mounting on wall
- > If the wall is non-loadbearing feet can be added to the frame to increase stability
- > Manual or electrical adjustment versions available
- > Manual adjustment using hand crank
- > Electrical adjustment by means of one or two low-noise motors. Optional placing of hand crank for manual adjustment
- > Range of adjustment: 650-950 mm
- > Frame may be cut to suit any length of worktop between 600-3000 mm
- > White painted steel



Ropox Flexi Corner adjustable worktop frames are shown on page **1.7, 11-15**



ROPOX FLEXIMANUAL AND FLEXIELECTRIC WORKTOP SETS

Easy to order sets for Flexi Manual and Flexi Electric for various different space solutions.

- > Ideal for private homes, schools, training kitchens, sheltered housing, nursing homes etc.
- > All types of kitchen worktops can be fitted to the frames in lengths from 600-3000 mm
- > Sinks and hobs can be integrated in the worktop
- > Easy to adjust in height, manually or electrically
- > Concealment panels can hide the legs and plumbing or use leg covers for extra access space
- > For added safety we always recommend safety stops for electric systems to avoid risk of trapping
- > Smartboxes are used to link safety systems where moving worktops are adjacent or have wall cabinet systems above



Flexi Manual set



- > Set includes:
 - Profile and spindle, aluminium bar profile 50 x 50 mm with 8 mm steel spindle
 - Leg, with wall spacers and 1 section cover, white painted steel
 - Support for worktop, 50 x 495 x 50 mm, white painted steel
 - Winding handle for manual adjustment of worktop system, includes transmission and handle is removable, aluminium
- > Order qty: 1 set

For worktop length	1 m	2 m	3 m
Profile and spindle	1x 1.0 m	1x 2.0 m	1x 3.0 m
Leg	2 pcs	2 pcs	3 pcs
Support for worktop	2 pcs	4 pcs	7 pcs
Winding handle	1 pc	1 pc	1 pc
Cat. No.	506.16.990	506.16.992	506.16.994

Flexi Electric set



- > Set includes:
 - Profile and spindle, aluminium bar profile 50 x 50 mm with 8 mm steel spindle
 - Flexi safety strip
 - Leg, with wall spacers and 1 section cover, white painted steel
 - Support for worktop, 50 x 495 x 50 mm, white painted steel
 - Motor, for electric adjustment of worktop system, with 2000 mm cable
 - Control box for 1 or 2 motors, includes control switch and cables
- > Order qty: 1 set

For worktop length	1 m	2 m	3 m
Profile and spindle	1x 1.0 m	1x 2.0 m	1x 3.0 m
Flexi safety strip	1x 1600 mm	1x 2400 mm	1x 3200 mm
Leg	2 pcs	2 pcs	3 pcs
Support for worktop	2 pcs	4 pcs	7 pcs
Control box	1 pc	1 pc	1 pc
Motor	1 pc	2 pcs	2 pcs
Cat. No.	506.16.991	506.16.993	506.16.995



When combining more than one Flexi Electric or Flexi Corner frame worktop set, to ensure the safety stop mechanism works, Smartbox 506.17.996 must also be ordered (min. 2 required - 1 for each Flexi frame set), shown on page 1.19

ROPOX FLEXICORNER SETS

Easy to order sets for Flexi Corner for various different space solutions.

- > FlexiCorner suits single person use
- > Ideal for private homes, schools, training kitchens, sheltered housing, nursing homes etc.
- > All types of kitchen worktops can be fitted to the frames and can be any size up to 3000 x 3000 mm
- > Sinks and hobs can be integrated in the worktop
- > Easy to adjust in height, manually or electrically
- > Concealment panels can hide the legs and plumbing or use leg covers for extra access space
- > For added safety we always recommend safety stops for electric systems to avoid risk of trapping
- > Smartboxes are used to link safety systems where moving worktops are adjacent or have wall cabinet systems above



Flexi Corner Manual set



- > Set includes:
 - Flexi Corner set - 1x internal corner joint and 1x external corner joint for profiles and support arms and a corner transmission
 - Profile and spindle, aluminium bar profile 50 x 50 mm with 8 mm steel spindle
 - Leg, with wall spacers and 1 section cover, white painted steel
 - Support for worktop, 50 x 495 x 50 mm, white painted steel
 - Winding handle for manual adjustment of worktop system, includes transmission and handle is removable, aluminium
- > Order qty: 1 set

For worktop corner size	2 m x 2 m
Flexi Corner	1 set
Profile and spindle	2x 2.0 m
Leg	4 pcs
Support for worktop	6 pcs
Winding handle	1 pc
Cat. No.	506.16.996

Flexi Corner Electric set



- > Set includes:
 - Flexi Corner set - 1x internal corner joint and 1x external corner joint for profiles and support arms and a corner transmission
 - Profile and spindle, aluminium bar profile 50 x 50 mm with 8 mm steel spindle
 - Flexi safety strip
 - Leg, with wall spacers and 1 section cover, white painted steel
 - Support for worktop, 50 x 495 x 50 mm, white painted steel
 - Motor, for electric adjustment of worktop system, with 2000 mm cable
 - Control box for 2 motors, includes control switch and cables
- > Order qty: 1 set

For worktop corner size	2 m x 2 m
Flexi Corner	1 set
Profile and spindle	2x 2.0 m
Flexi safety strip	1x 4200 mm
Leg	4 pcs
Support for worktop	6 pcs
Control box	1 pc
Motor	2 pcs
Cat. No.	506.16.997



When combining more than one Flexi Electric or Flexi Corner frame worktop set, to ensure the safety stop mechanism works, Smartbox 506.17.996 must also be ordered (min. 2 required - 1 for each Flexi frame set), shown on page **1.19**

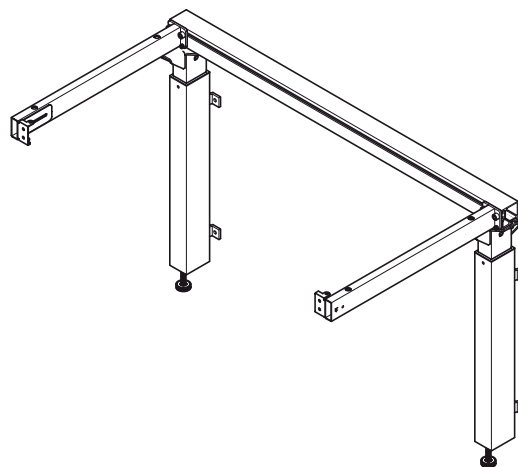
ROPOX FLEXIMANUAL AND FLEXIELECTRIC WORKTOP

1

Inclusive Kitchens: Ropox

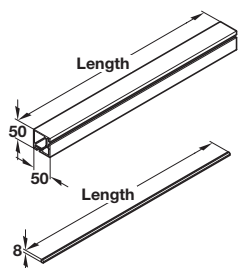
Ordering guide for Flexi height adjustable worktop system

- > For 1 or 1.2 m length worktop:
 - 1x Wall bar profile (order profile for 1.2 m worktop and cut to 950 mm)
 - 2x Legs
 - 3x Supports for worktop
- > For 2 m length worktop:
 - 1x Wall bar profile (1950 m length for 2 m worktop)
 - 2x Legs
 - 4x Supports for worktop
- > For 3 m length worktop:
 - 1x Wall bar profile (2950 m length for 3 m worktop)
 - 3x Legs
 - 7x Supports for worktop
- > Cover for leg and supporting foot optional
- > Choose either handle for manual adjustment or motor/s and control box for electric adjustment
- > Number of motors required:
 - For worktops less than 1.2 m in length 1 motor must be used
 - For worktops over 1.2 m in length 2 motors must be used
 - Control box should be ordered as a 1 or 2 motor version to match



The safety strip must be used with all electric worktop systems, shown on page **1.12**

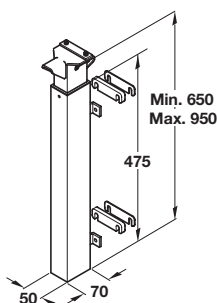
Wall bar profile and spindle



- > Bar profile 50 x 50 mm, with 8 mm steel spindle
- > Can be cut to size (profile by 50 mm less than worktop, spindle by 100 mm less than profile)
- > Aluminium
- > Order qty: 1 pc

Wall bar profile / Spindle length	For worktop length	Cat. No.
1150 / 1050 mm	1.2 m	506.16.000
1950 / 1850 mm	2 m	506.16.001
2950 / 2850 mm	3 m	506.16.002

Leg



- > Leg allows height adjustment from 650-950 mm
- > Includes wall spacers and 1 section cover
- > Painted steel
- > Order qty: 1 pc

Finish	Cat. No.
White	506.16.730

INCLUSIVE LIVING 2023, © Häfele U.K. Ltd 2023. Dimensional data not binding. We reserve the right to alter specifications without notice.

Cover for leg, 2 section



- > For use with or without supporting foot
- > White painted steel
- > Order qty: 1 pc

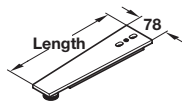
Photo shows cover without supporting foot

For use	Cat. No.
without supporting foot	506.16.733
with supporting foot	506.16.734

Supporting foot



- > With levelling screw
- > White painted steel
- > Order qty: 1 pc



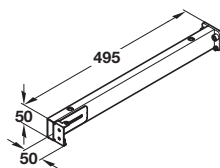
The supporting foot is to be used as an additional supporting mechanism where wall structures have been strengthened but require additional support – (preferable at installers discretion)

Length	Cat. No.
300 mm	506.16.731
490 mm	506.16.732

Support for worktop



- > Supports worktop depth 600-620 mm
- > Dims (HxWxD): 50 x 495 x 50 mm
- > Painted steel
- > Order qty: 1 pc

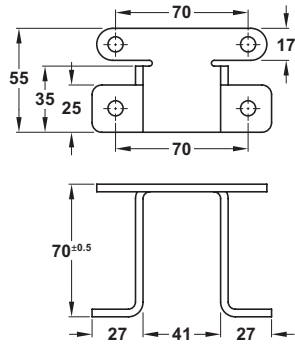


Finish	Cat. No.
White	506.16.740

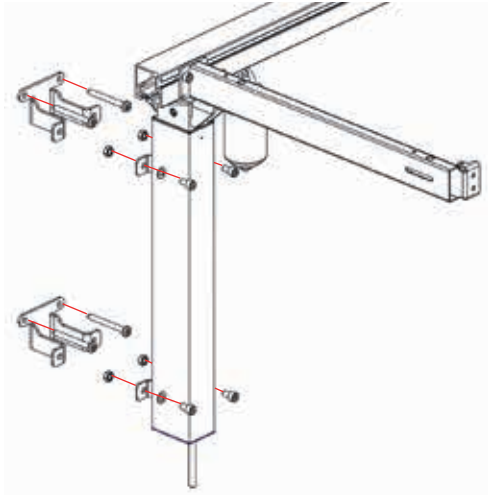


Manual winding handle, motor and control box, safety trips and control switches for completing the Flexi height adjustable worktop system are shown on page **1.11-12**

Wall bracket

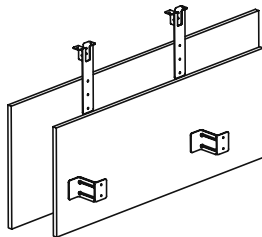
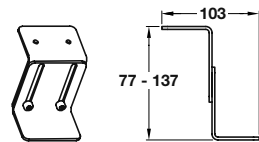


- > For use with manual or electric Ropox FlexiElectronic worktop
- > For use when there is a need to move the frame out from the wall
- > Projects Flexi legs 70 mm off the wall
- > Steel
- > Order qty: 1 pc



Finish	Cat. No.
White painted	506.16.227

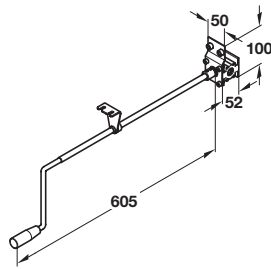
Fittings for panels



- > If all installations and legs are to be hidden, concealment panels may be mounted
- > Consists of:
 - 4x Adjustable 'Z' brackets, 103 x 77 x 137 mm
 - 2x Top panel brackets, 204 x 50 x 32 mm
 - 8x Tapping Screws Ø4.2x10
 - 5x Velcro tape strips
 - 1x Bit T20 ¼"
 - 4x screws
- > Steel
- > Order qty: 1 pc

Finish	Cat. No.
White painted	506.16.729

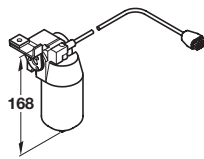
Winding handle



- > For manual adjustment of worktop system
- > Includes transmission
- > Handle is removable
- > Aluminium
- > Order qty: 1 pc

Finish	Cat. No.
Aluminium	506.16.950

Motor



- > For electric adjustment of worktop system
- > Includes 2000 mm cable
- > Order qty: 1 pc



Control switch - For adjustment of worktop and/or cupboard height. Included with control box. Buttons are easy to read and operate

Item	Cat. No.
Motor	506.17.366

Control box



- > For electric adjustment of worktop system
- > Control box, for 1 or 2 motors, includes control switch and cables
- > Order qty: 1 pc

Item	Cat. No.
Control box for 1 motor	506.17.375
Control box for 2 motor	506.17.372


Bluetooth adapter



- > Compatible with Ropox FlexiElectric, Diagonal, VertiElectric and VertiInside
- > The Ropox Connect App is an application which allows you to remotely control your Ropox products
- > By connecting your iOS device to the Bluetooth adapter inserted into a Ropox product, you gain the ability to adjust your product upwards or downwards
- > After pairing the iOS device and the Ropox product has been completed, you're able to remotely control the product from great distance. In practice, this oftentimes is greater than 10 meters
- > The application allows you to save height settings, to enable you to easily change between pre-set heights
- > Installation: Screw fixing
- > Plastic
- > Order qty: 1 pc

Compatible products and functions

	Compatible	Drive the product	Show height	Save height
FlexiElectric	✓	✓	✓	✓
Diagonal	✓	✓	✓	✓
VertiElectric	✓	✓	✓	✓
VertiInside	✓	✓	x	x

-  > To connect to a Ropox product is quick and easy
- > Before your Ropox product can be remotely controlled, the Bluetooth adapter must be inserted into the product
- > To insert the Bluetooth adapter into your Ropox product, follow the instructions provided

Item	Cat. No.
Bluetooth adapter	506.16.369

Flexible safety strip



- > For worktop system and adjustable table frame
- > Automatic safety stop to ensure that nothing gets crushed beneath worktop fascia
- > Allow sufficient for fascia front and returns in one piece
- > Safety strip length can be cut to exact size required
- > Order qty: 1 pc



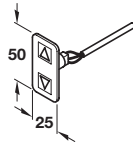
Safety strips ensure that worktops don't just stop, but reverse their movement immediately when activated.



This safety strip must be used with all electric worktop systems

Strip length	Cable length	Cat. No.
1600 mm ± 30mm	1500 mm	506.17.931
2400 mm ± 30 mm	1500 mm	506.17.932
3200 mm ± 30 mm	1500 mm	506.17.933
4200 mm ± 30 mm	1500 mm	506.17.934

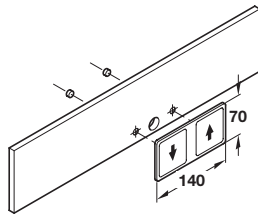
Spare control switch



- > Includes 1600 mm cable
- > Black plastic
- > Order qty: 1 pc

Item	Cat. No.
Control switch	506.16.363

Large press pad



- > Alternative to control switch, has a large (70 x 140 mm) surface area for easier use
- > 7 pin
- > White plastic
- > Order qty: 1 pc

Item	Cat. No.
Large press pad	506.16.764

Flexible plumbing kit



- > Plumbing kit enables sinks to be used with height adjustable Ropox worktops
- > Set includes:
 - 1200 mm flexible waste pipe, white
 - 250 mm waste elbow including trap, white
 - 2x flexible 1 m feed pipes
- > Order qty: 1 pc



For sink with insulation, see page 1.54

Item	Cat. No.
Flexible plumbing kit	506.16.365

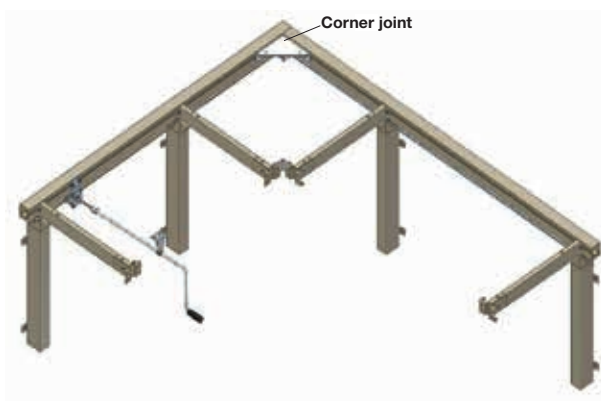
ROPOX FLEXICORNER

Ideal for single person use of L shaped kitchen.

- > Economical alternative to two separate Flexi frames (two separate Flexi frames in a corner would allow for two people to work at different heights - the corner frame suits just one person)
- > The hob, sink and preparation area can all be adjusted in one movement
- > Useful if space is limited by maximising the corner area
- > Max. load of frame is 150 kg evenly distributed over the entire frame



Flexi Corner set



- > For use with Flexi Manual or electric frames
- > Frame height adjustable from 650-950 mm
- > For 850-3000 mm frame width
- > Set includes:
 - 1x internal corner joint and 1x external corner joint for profiles and support arms and a corner transmission
- > White painted steel
- > Order qty: 1 set

	Cat. No.
Flexi corner set	506.16.770

Ordering guide for Flexi Corner adjustable worktop set

- > 1x Flexi Corner set 506.16.770 - shown above
- > 4x legs 506.16.730 - page **1.6**
- > 2x wall bar profile and spindle 506.16.00X - page **1.6**
- > Required number of support arms, at least 1 for every 600 mm of worktop 506.16.740 - page **1.7**
- > For manual version also order:
 - 1x winding handle 506.16.950 - page **1.9**
- > For electric version also order:
 - 1x 2 motor control box 506.16.37X - page **1.9**
 - 2x motors 506.16.360 - page **1.9**
 - 1x safety strip 506.17.92X - page **1.10**

ROPOX FLEXI ELECTRIC TOOLBOX

Safety information and troubleshooting.

OVERVIEW OF THE LIFT SYSTEM



HOW TO RESOLVE CLICKING SOUNDS



HOW TO FIT SAFETY STRIP AND RESISTOR



HOW TO RESET THE SYSTEM



DETERMINING AND CONNECTING THE CORRECT NUMBER OF CONTROL BOXES



HOW TO ENSURE FREE MOVEMENT OF FRAME AND WORKTOP

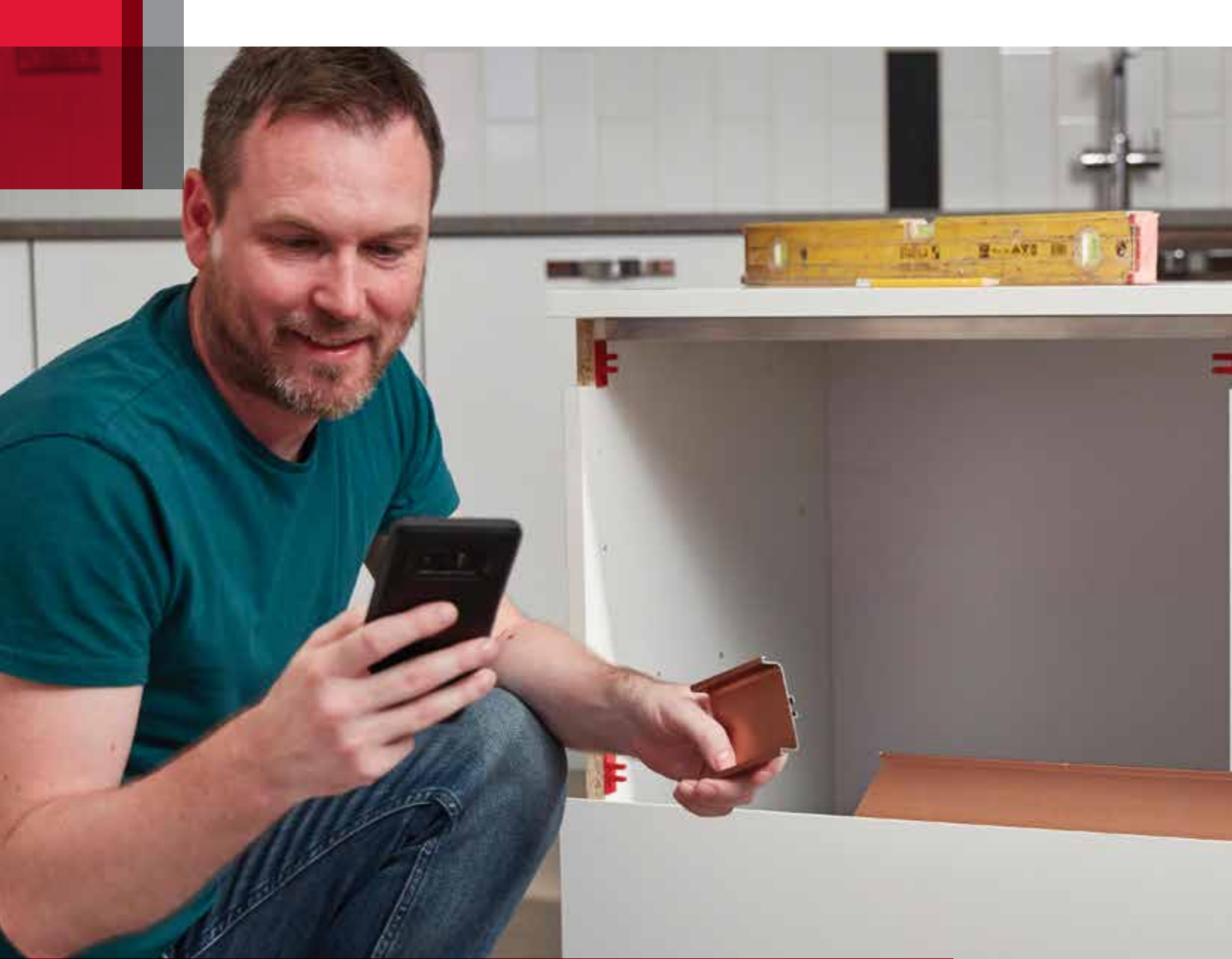


STILL NEED HELP? GET IN TOUCH WITH THE HÄFELE TECHNICAL SUPPORT TEAM:

Call: 01788 548855

Email: Technicalsupport@hafele.co.uk

Product information: www.ropox.co.uk/products/flexielectric



WHEN YOU NEED IT MADE-TO-ORDER, SPEAK TO HÄFELE

You Specify. We Deliver.

Save time, cut costs and avoid mistakes with Häfele to Order, our bespoke manufacturing service which allows you to specify products to the exact size, quantity and finish you require*.

Contact us for a quote on cut lengths, assembled light bars, ready to install drawers and worktops, and bespoke packed sets.

*Additional charges applicable to the Häfele to Order Service. T&Cs apply.



Order online www.hafele.co.uk/hafele-to-order
or contact us by phone **0800 171 2916** or email hafeletoorder@hafele.co.uk
to discuss your requirements.

Subject to lead time.
Delivery terms apply see www.hafele.co.uk/delivery for information.

ROPOX WALL CABINETS

Inclusive Kitchens: Ropox

Our goal is to make it easy to see and reach everything in all wall cabinets. The solution you choose will depend on the ability to reach, and if standing or seated. The Diagonal brings the whole cabinet to the front of the worktop, whilst with the VertiInside it is the internal shelves that are lowered for easier access.

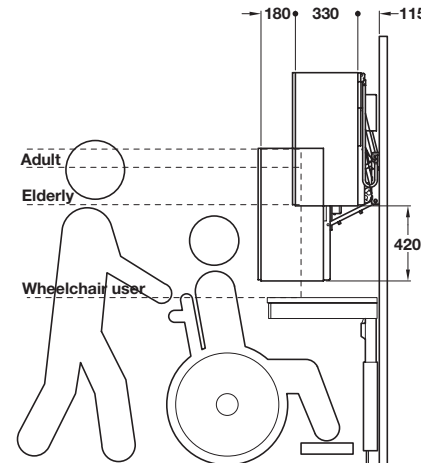
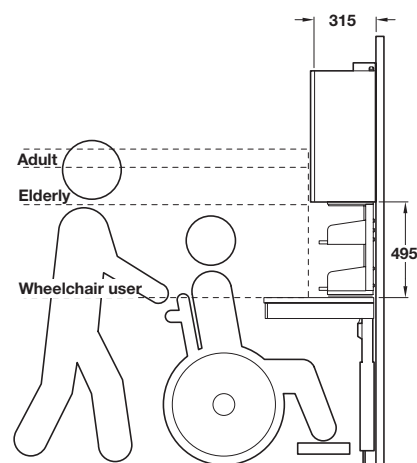


OPTIMUM HEIGHT TO REACH RATIOS

ROPOX VERTIINSIDE

ROPOX DIAGONAL

OPTIMUM WORKTOP HEIGHTS



Wheelchair users:	700 - 800mm
Elderly:	850mm
Adults:	900 - 950mm

INCLUSIVE LIVING 2023, © Häfele U.K. Ltd 2023. Dimensional data not binding. We reserve the right to alter specifications without notice.

WALL CABINETS THAT COME TO YOU



ROPOX VERTIINSIDE

- > Electrical height adjustable shelves enable the user to easily reach items in the cabinets
- > Ideal for children, wheelchair users or simply to make it easier for anyone to reach top shelves
- > The system is especially ideal for wheelchair users as you can reach the two lower shelves without having to open the cabinet doors first
- > The VertiInside upper cabinet system looks just like any other common kitchen cabinet system, the shelves can be adjusted by a control panel which can be integrated in the fascia
- > Replaces the back and base panels of a standard wall unit
- > We recommend double doors for cabinet widths from 600 mm to prevent the users from stepping back when opening the doors



Ropox Vertiinside adjustable shelves are shown on page **1.18**



ROPOX DIAGONAL

- > Diagonal is a lift system that allows upper kitchen cabinets to move diagonally down and forward
- > The movement allows the upper cabinets can move close to seated users and people of short stature so that they can reach the contents of the upper cabinets
- > Quick and easy mounting on frame
- > Electrical adjustment only
- > Range of adjustment: 430 mm downward, 180 mm forward
- > Depth of frame: 115 mm
- > Frame available for cupboards in widths of 1000, 1200, 1500 and 1800 mm



Ropox Diagonal adjustable wall cupboards are shown on page **1.19**

SAFETY IN FOCUS



We recommend safety stop plates below all Ropox wall cabinets to avoid risk of trapping. For further safety, wall cabinets can be connected to worktop frames via Ropox Smartboxes to avoid the trapping risk between wall cabinets and worktops, particularly when the worktops are moved up.



Ropox Smartboxes can avoid the trapping risk between height adjustable worktops installed next to each other. It's important that the side and front fascias have no worktop overhanging.



Ropox safety strips ensure that worktops don't just stop, but reverse their movements immediately when activated.

ROPOX VERTIINSIDE SHELVING FOR ASSISTED LIVING

1

A complete shelving unit for installation in wall cabinets, controls at worktop level electrically power the shelving unit to a reachable height.

Inclusive Kitchens: Ropox

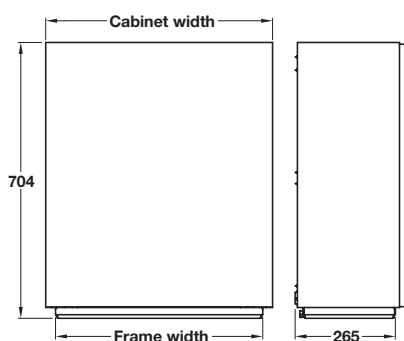


- > Electrical height adjustable shelves enable the user to easily reach items in the cabinets
- > Ideal for children, wheelchair users or simply to make it easier for anyone to reach top shelves
- > The system is especially ideal for wheelchair users as you can reach the two lower shelves without having to open the cabinet doors first
- > The Vertilinside upper cabinet system looks just like any other common kitchen cabinet system, the shelves can be adjusted by a control panel which can be integrated in the fascia
- > Replaces the back and base panels of a standard wall unit
- > We recommend double doors for cabinet widths from 600 mm to prevent the users from stepping back when opening the doors




 When used over a Flexi worktop frame (as pictured above) use Smartbox 506.17.996 to interlink the safety systems, shown on page 1.19

Vertilinside adjustable shelves



- > Min. wall unit height: 704 mm
- > Max. load: 80 kg evenly distributed
- > Frame height: 704 mm
- > Cabinet width: 600/1000 mm
- > Frame depth: 265 mm
- > Colour: White RAL 9010
- > Also includes 2x integrated safety stops one for the top and one for the bottom
- > Order qty: 1 pc

For cabinet width	Frame width x depth	Cat. No
600 mm	508 x 265 mm	506.17.770
1000 mm	908 x 265 mm	506.17.772 



Most of the products you will find in this Directory are available within 24 hours. However, to be able to offer the breadth of range in our collection, a small number of products have a longer lead time that is typically around 14 days. Please call 0800 171 2909 for an accurate delivery date when you see this symbol.

INCLUSIVE LIVING 2023, © Häfele U.K. Ltd 2023. Dimensional data not binding. We reserve the right to alter specifications without notice.

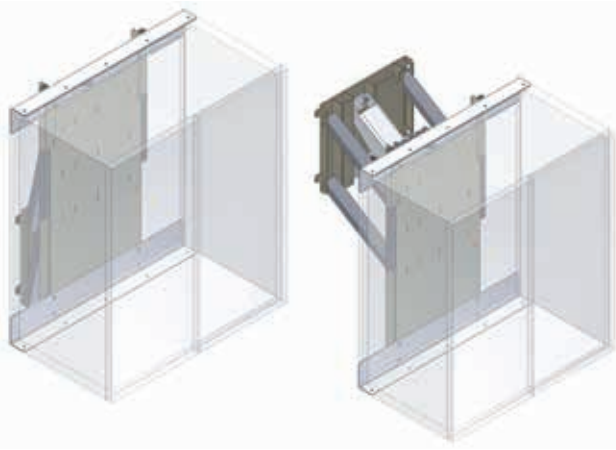
ROPOX DIAGONALLY DOWN/FORWARD ADJUSTABLE WALL CUPBOARDS

Creating a kitchen where upper cabinets are accessible can be challenging. With the diagonal lift system, you can easily lower the upper cabinets to a height within reach range for seated users and people of short stature. The high-quality lift system gently lowers the cabinets and projects them off the wall. This way, the cabinets move down and close to the users. The total height adjustment range is 430 mm in height and 180 mm horizontally. It is easy to operate the lift system with the control panel. You can configure the lift system to fit one or several cabinets, and it is compatible with all standard kitchen cabinets. This ensures that you can create an accessible, stylish kitchen with all features required to become a truly inclusive kitchen.

- > Quick and easy mounting on frame
- > Electrical adjustment only
- > Range of adjustment: 430 mm downward and 180 mm forward
- > Depth of frame: 115 mm
- > Frame available for cupboards in widths of 1000, 1200, 1500 and 1800 mm
- > White painted steel



Mounting frame with safety stop plate



- > Electrically adjusts height of wall cabinet diagonally down/forward
- > With automatic safety stop plate to ensure that nothing gets crushed between worktop and wall cabinet
- > Smart box link allows the safety plate of the wall cupboard system to be connected to the safety stop of the worktop system
- > Includes control switch
- > White painted steel
- > Order qty: 1 set



When installing this diagonal frame directly above a flexi frame worktop, to ensure the safety stop mechanism works, Smartbox 506.17.996 must also be ordered (min. 2 required - 1 for diagonal frame and 1 for flexi worktop), shown below

For cabinet length	Cat. No.
1000 mm (1 motor)	506.17.702
1200 mm (1 motor)	506.17.703
1800 mm (2 motors)	506.17.705

Smartbox



Smartboxes can avoid the trapping risk between height adjustable worktops installed next to each other. It's important that the side and front fascias have no worktop overhang

- > Smartbox is an intelligent system to avoid trapping
- > One Smartbox is needed per frame for two or more adjacent FlexiElectric worktop frames and a diagonal wall unit frame above a FlexiElectric frame
- > Movement up or down is stopped on every frame when any safety stop is activated
- > Order qty: 1 pc

	Cat. No.
Smartbox	506.17.996



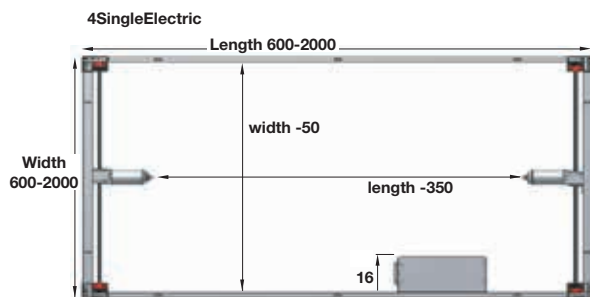
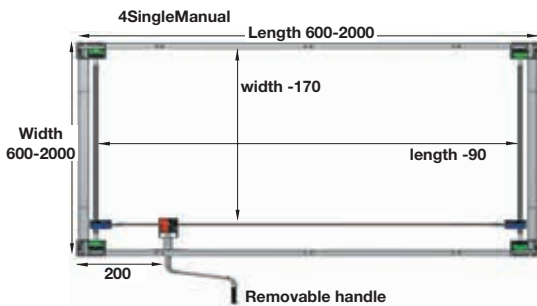
Most of the products you will find in this Directory are available within 24 hours. However, to be able to offer the breadth of range in our collection, a small number of products have a longer lead time that is typically around 14 days. Please call 0800 171 2909 for an accurate delivery date when you see this symbol.

ROPOX 4SINGLE HEIGHT ADJUSTABLE TABLE FRAME

1

A multifunctional frame for the kitchen, dining or class room, manually or electrically adjustable in height to suit sitting and standing activities. Ideal for the whole family: big, small, young, elderly or wheelchair users.

Inclusive Kitchens: Ropox



- > Available in any size up to 2000 x 3000 mm
- > Available to special order only
- > Any worktop material is easily mounted on the adjustable frame
- > 4Single is extremely stable even at highest position
- > Height adjustment by manual handle or press pad
- > A hob or sink can easily be inset into the worktop
- > 4Single is available with brake wheels and can easily be moved around a room
- > Electric version may be supplied with a safety strip
- > A frame can be made to suit the size of an existing worktop or tabletop
- > Battery option and colour match available



This is a special order product; for help, advice and ordering of our full range of Ropox accessible kitchen fittings please get in touch with our Project Team, 0800 171 2907 or estimating@hafele.co.uk

INCLUSIVE LIVING 2023, © Häfele U.K. Ltd 2023. Dimensional data not binding. We reserve the right to alter specifications without notice.

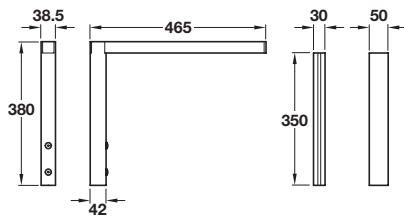
HEIGHT ADJUSTABLE CABINET SUPPORT BRACKETS

Designed to allow space beneath a worktop, these brackets are especially useful for where wheelchairs are required.

Ropox worktop bracket



- > Manual suspension system offers simple and efficient mounting of worktops
- > Suitable for infrequent adjustment
- > 230 mm infinitely adjustable upward and downward
- > White painted steel worktop bracket with aluminium wall bracket
- > Set includes:
 - 1x worktop bracket
 - 1x wall fixing bracket
- > Order qty: 1 set

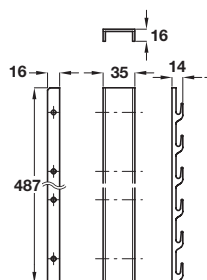


Finish	Cat. No.
White painted steel	506.16.790

Ropox wall cabinet bracket



- > Manual suspension system offers simple and efficient mounting of cabinets
- > Suitable for infrequent adjustment
- > Movable 250 mm upward and downward in 42 mm increments
- > Max. load 90 kg evenly distributed
- > Aluminium
- > Set includes:
 - 2x wall cupboard brackets
 - 2x wall fixing brackets
- > Order qty: 1 set



Finish	Cat. No.
Aluminium	290.26.900

INCLUSIVE LIVING 2023. © Häfele U.K. Ltd 2023. Dimensional data not binding. We reserve the right to alter specifications without notice.

OPLÀ TOP PULL OUT WORKTOPS

1

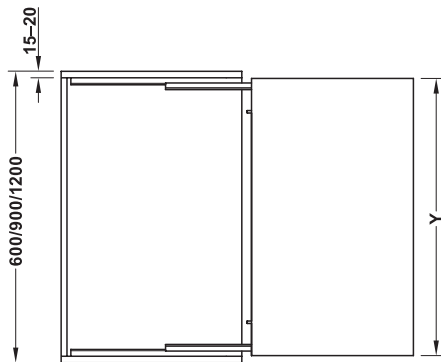
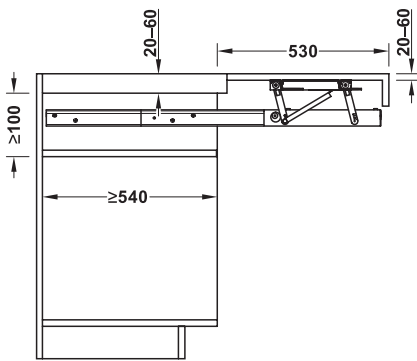
Pull out system for self-supporting pull out worktops.

Inclusive Kitchens: Preparation Pull Out Tables

- > For increasing the workspace, if required
- > Worktop and pull out form a flat surface
- > Can be lowered into a drawer, therefore saving space



OPLÀ TOP Pull out worktop, self-supporting



- > Area of application: Kitchens
- > Load carrying capacity: 40 kg
- > Silver coloured anodised aluminium and galvanised steel
- > Supplied with:
 - 1 pair of running tracks
 - Fixing materials
 - Installation instructions
- > Order qty: 1 kit

Calculation example for worktop width

For cabinet width	Worktop width (Y) with side panel thickness	
	16 mm	19 mm
600 mm	563 mm	557 mm
900 mm	863 mm	857 mm
1200 mm	1163 mm	1157 mm

Y = internal width - 5 mm

The worktop width must be between 410 and 1170 mm

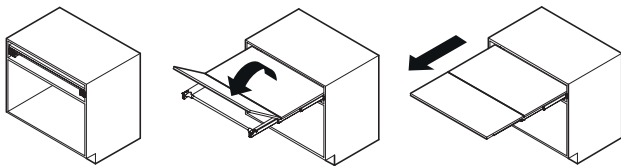


Table top not supplied

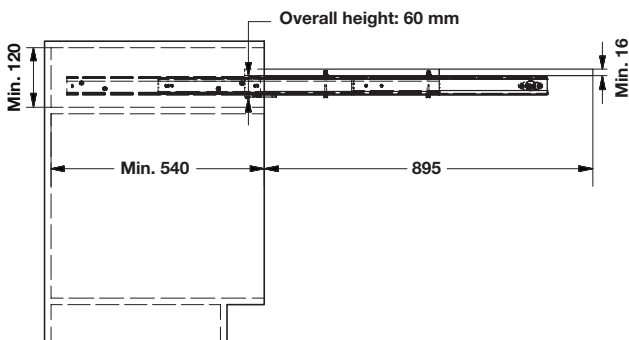
For cabinet width	Cat. No.
600 mm	505.75.984
900 mm	505.75.985
1200 mm	505.75.986

LUNCH PULL OUT TABLES

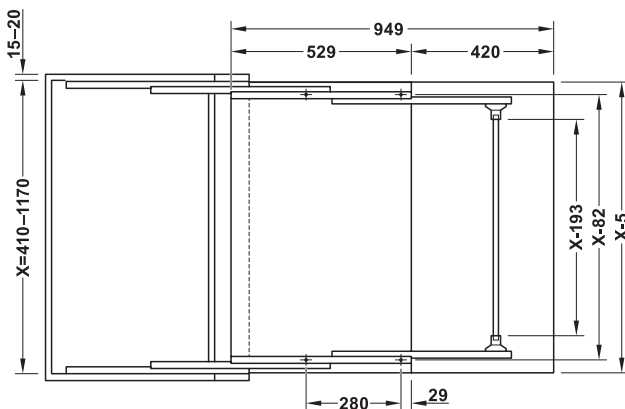
Pull out system for self-supporting pull out tables.



LUNCH Pull out table fitting, self-supporting



- > Area of application: For kitchen and living room furniture, behind folding drawer front panels
- > Internal installation depth: Min. 540 mm
- > Dimensions: Table top length 969 mm, table top width = internal cabinet width - 3 mm
- > Load carrying capacity: 60 kg
- > Silver coloured anodised aluminium and galvanised steel
- > Supplied with:
 - 1 pair of running tracks
 - Fixing materials
 - Installation instructions
- > Order qty: 1 kit



x = Internal cabinet width

The system is designed to suit side thickness A 16 mm. The connecting profile B must be shortened by 1.5 mm on both sides when using 19 mm thick side panels

- Important: Secure cabinet to prevent toppling
- Table top not supplied. Please order hinges for drawer front and folding table hinges separately



For cabinet width	Cat. No.
600 mm	505.73.944
900 mm	505.73.945
1200 mm	505.73.946

TABLE TOP SWIVEL FITTING

1

An ideal solution for small rooms where space is at a premium. This fitting set allows one piece of furniture to have two functions; sideboard and table, without losing any access to the storage space inside the cabinet.

Inclusive Kitchens: Preparation Pull Out Tables

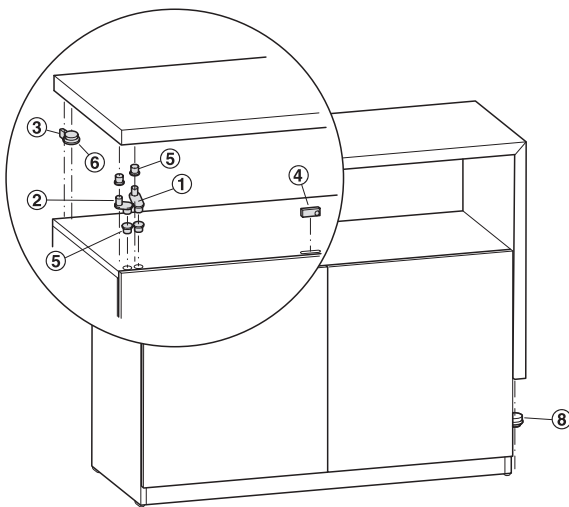


INCLUSIVE LIVING 2023, © Häfele U.K. Ltd 2023. Dimensional data not binding. We reserve the right to alter specifications without notice.

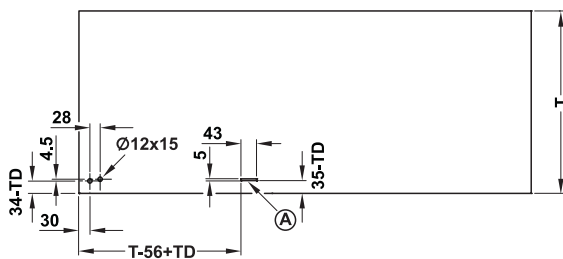
Table top swivel fitting set



- > Ideal solution for small rooms such as work rooms, surgical waiting rooms, meeting rooms, children's rooms or dining rooms
- > One piece of furniture with two functions: Sideboard and table
- > The entire storage space inside the cabinet can be used
- > Width: Max. 1.300 mm
- > Depth T: Max. 500 mm
- > For panel thickness min. 25 mm
- > Set consists of:
 - 1x Lever arm, long (fig. 1)
 - 1x Lever arm, short (fig. 2)
 - 1x Stop plate (fig. 3)
 - 1x Magnet (fig. 4)
 - 4x Sliding bushings (fig. 5)
 - 1x Roller (fig. 6)
 - 4x Felt glides for glue fixing beneath swivel table (fig. 7)
 - 1x Set of installation instructions
- > Order qty: 1 set

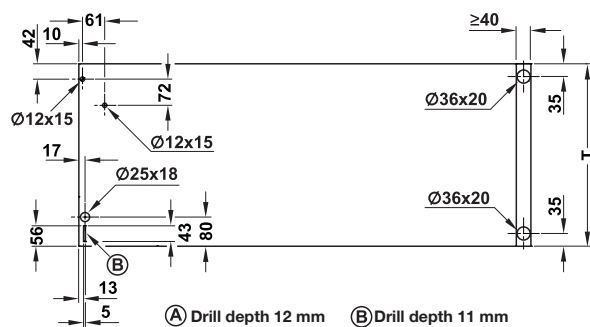


Cabinet



TD = Door thickness max. 25 mm
 Cabinet with inset doors: Depth T = Cabinet depth
 Cabinet with overlay doors: Depth T = Cabinet depth + Door thickness TD

Table top



	Cat. No.
Table top swivel fitting set	646.31.000



Roller glides or ball castors (fig. 8) must be ordered separately, Cat. No. 661.05.306, 661.04.309 or 661.02.210/230/250, visit hafele.co.uk for more information

KITCHEN STORAGE

A thoughtfully designed space is a must for inclusive kitchens, ensuring your kitchen is accessible and as multi-functional as possible. From corner storage to pull out larders or complementing your space with accessories to suit your requirements, we have a wide range of products that ensure you can achieve this.



TALL STORAGE



SWING OUT PANTRY UNITS

- > With additional storage on the inside of the cabinet door
- > The ultimate in easy access to all your groceries
- > Available in 500 mm and 600 mm cabinet widths
- > Available in various 1700 - 2150 mm heights



Swing out pantry units are shown on pages **1.28-29**



PULL OUT LARDERS

- > Traditional larder unit fixed to front of cabinet door
- > Available in 300 mm and 400 mm cabinet widths
- > Available in 1200 -2200 mm heights



Pull out larders are shown on pages **1.30-32**

CORNER STORAGE

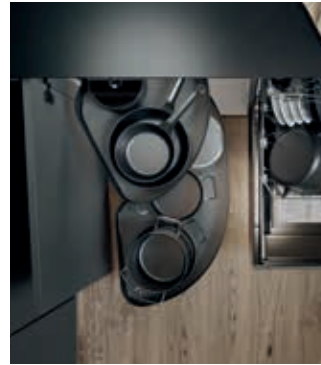


PULL OUT CORNER UNITS

- > Open the cabinet door and pull out the storage unit
- > Multiple baskets allow for groceries and/or utensils to be easily compartmentalised
- > Available in 800 mm, 900 mm and 1000 mm cabinet widths



Pull out corner units are shown on pages **1.34-35**



SWING OUT CORNER UNITS

- > Trays swing out of the corner space in a smooth action
- > Allows maximum access to the contents whilst minimising interference with adjacent cabinets
- > Available in 800 mm, 900 mm and 1000 mm cabinet widths



Swing out corner units are shown on pages **1.36-37**

BASE UNIT STORAGE



SLIM PULL OUT STORAGE

- > Make best use of even the smallest kitchen space with slim pull out units
- > Ideal for bottles and kitchen utensils
- > Available in 150 mm and 300 mm cabinet widths



Slim pull out storage is shown on pages **1.38-41**



PULL OUT BASKETS

- > Wider baskets for storing groceries and/or kitchen utensils
- > Available as individual baskets or as sets
- > Options available for front fix or hinged door applications
- > Available in 300 mm, 400 mm, 500 mm and 600 mm cabinet widths



Pull out baskets are shown on pages **1.42-43**

DRAWER STORAGE



MATRIX BOX DRAWERS

- > Matrix by Häfele, is a versatile drawer range, with universal style and function
- > With a premium full extension runner at the heart of the system, the Matrix drawer range offers elegant movement and smooth operation for the user
- > Available in 300 mm and 1000 mm cabinet widths



Matrix Box Slim A shown on pages **1.44-45**
Matrix Box S shown on pages **1.46-47**



SWING OUT PANTRY UNITS - VAUTH-SAGEL TAL GATE PRO

1

VS TAL Gate Pro swing out pantry units for 500 and 600 mm cabinet widths include baskets for both door frame and main pull out. The pantry unit is easy to use; the baskets are pulled out of the cabinet at the same time as the door is opened.

Inclusive Kitchens: Storage



Swing out pantry unit with Saphir mesh wire storage baskets

- > For 500 and 600 mm cabinet widths, this pull out pantry unit includes baskets for both door frame and main pull out
- > The pantry unit is easy to use; the baskets are pulled out of the cabinet at the same time as the door is opened
- > Baskets can be individually positioned at the required height in both the cabinet frame and on the door frame
- > Symmetrical height alignment of both cabinet and door baskets is possible, if required
- > Two integrated dampers ensures quiet, smooth closing of the pull out
- > Pantry units are supplied complete with chrome wire mesh baskets
- > Cabinet is not included

INCLUSIVE LIVING 2023, © Häfele U.K. Ltd 2023. Dimensional data not binding. We reserve the right to alter specifications without notice.



10 YEAR WARRANTY - Delivering German engineering excellence

Covering their full range, the warranty gives you and your customers complete peace of mind when purchasing Vauth-Sagel products.

You can find further information on our website www.hafele.co.uk/vauth-sagel

VS TAL Gate Pro swing out pantry unit, centre and door mounting, height adjustable, full extension



- > For installed heights:
 - 1700-1950 or 1900-2150 mm: 5x baskets (door and main each) included
- > Built-in depth: 480 mm
- > For cabinet widths 500 or 600 mm
- > Baskets are individually height adjustable
- > Load capacity:
 - > Larder unit frame 80 kg, per larder basket 20 kg
 - > Door frame 20 kg, per door basket 5 kg
- > Every set comes complete with fixing materials and fitting instructions
- > Set includes:
 - 1x Frame set, silver or lava grey, height adjustable
 - 1x Door mounting frame set, silver
 - 1x Runner set, silver
 - 1x Basket set
- > Order qty: 1 set

Swing out pantry unit with Premea lava grey storage baskets



Premea lava grey solid base wire baskets



Saphir mesh chrome wire baskets

VAUTH-SAGEL
10
YEAR WARRANTY

Centre Mounting

500

600

Soft Closing

Fixings included

For cabinet width	500 mm	600 mm
Basket width	365/400 mm	465/500 mm
Installed height		
Premea lava grey solid base wire baskets		
1700-1950 mm	549.57.083	549.57.093
1900-2150 mm	549.57.084	549.57.094
Saphir mesh chrome wire baskets		
1700-1950 mm	549.58.033	549.58.043
1900-2150 mm	549.58.034	549.58.044



Baskets can be individually positioned at the required height in both the cabinet frame and on the door frame



Symmetrical height alignment of both cabinet and door baskets is possible

INCLUSIVE LIVING 2023. © Häfele U.K. Ltd 2023. Dimensional data not binding. We reserve the right to alter specifications without notice.

PULL OUT LARDER UNITS - VAUTH-SAGEL TAL LARDER

1

Larder units with integrated soft close system ensuring quiet, smooth closing. Baskets can be individually positioned at the required height in the cabinet frame.

Inclusive Kitchens: Storage



Premea solid grey base with lava grey wire baskets and lava grey frame

- > With improved fully synchronised runners guaranteeing a slip-free, safe, smooth extension and retraction of the larder unit
- > Runners are complete with a new high-quality hydraulic damping system which means the unit operates with a smooth close
- > Choice of wire baskets, Classic linear or Saphir mesh, Premea solid based, Artline solid based glass sided or Planero metal baskets
- > Baskets are included with larder unit sets
- > Cabinet is not included



Also available with Power assisted movement - Used together, the Power move® electrical push-to-open and PAM mechanical pull-out-soft-stop mechanism are a very elegant complement to the VS TAL larder units. Can be retro-fitted



- > Power move® electric motor is shown on page 1.32
- > PAM pull-out soft-stop mechanism is shown on page 1.32

Covering their full range, the warranty gives you and your customers complete peace of mind when purchasing Vauth-Sagel products.

You can find further information on our website www.hafele.co.uk/vauth-sagel

VS TAL LARDER pull out unit complete set, centre mounting, height adjustable, full extension



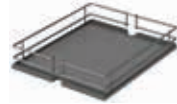
Planero lava grey metal baskets and lava grey frame shown



Artline glass sided chrome baskets



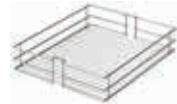
Planero lava grey metal baskets



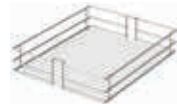
Premea lava grey solid base and wire baskets



Saphir mesh chrome wire baskets



Classic chrome linear wire baskets



Classic silver linear wire baskets

- > For installed heights:
1200-1450 mm, 1450-1700 mm: 4x baskets included
1700-1950 mm, 1900-2140 mm: 5x baskets included (single baskets can be ordered in addition separately)
- > Built-in depth 470 mm
- > For cabinet widths 300 or 400 mm
- > Total weight capacity max. 80 kg
- > Weight capacity per basket max. 16 kg
- > Baskets are individually height adjustable
- > Set includes:
1x Frame set, silver or lava grey
1x Runner set
1x Basket set
- > Order qty: 1 set



For cabinet width	300 mm	400 mm
Basket width	250 mm	350 mm
Installed height		
Artline glass sided chrome wire baskets		
1200-1450 mm	547.49.702	547.49.722
1450-1700 mm	547.49.703	547.49.723
1700-1950 mm	547.49.704	547.49.724
1900-2140 mm	547.49.705	547.49.725
Planero lava grey metal baskets		
1200-1450 mm	547.49.302	547.49.322
1450-1700 mm	547.49.303	547.49.323
1700-1950 mm	547.49.304	547.49.324
1900-2140 mm	547.49.305	547.49.325
Premea lava grey solid base wire baskets		
1200-1450 mm	547.17.012	547.17.032
1450-1700 mm	547.17.013	547.17.033
1700-1950 mm	547.17.014	547.17.034
1900-2140 mm	547.17.015	547.17.035
Saphir mesh chrome wire baskets		
1200-1450 mm	547.49.502	547.49.522
1450-1700 mm	547.49.503	547.49.523
1700-1950 mm	547.49.504	547.49.524
1900-2140 mm	547.49.505	547.49.525
Classic chrome linear wire baskets		
1200-1450 mm	547.17.712	547.17.732
1450-1700 mm	547.17.713	547.17.733
1700-1950 mm	547.17.714	547.17.734
1900-2140 mm	547.17.715	547.17.735
Classic silver linear wire baskets		
1200-1450 mm	547.17.812	547.17.832
1450-1700 mm	547.17.813	547.17.833
1700-1950 mm	547.17.814	547.17.834
1900-2140 mm	547.17.815	547.17.835

VAUTH-SAGEL POWER MOVE AND PAM

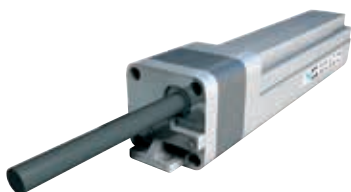
1

Optional accessories are available to enhance the functionality of the larder units. The Power move® and PAM are both add-ons to improve the movement of the larder unit.

Inclusive Kitchens: Storage

- > For use with VS TAL larder units with synchronized runners
- > Used together, the Power move® electrical push-to-open and PAM mechanical pull-out-soft-stop mechanism are a very elegant complement to the VS TAL larder units
- > Can be retro-fitted

Power move® electric motor



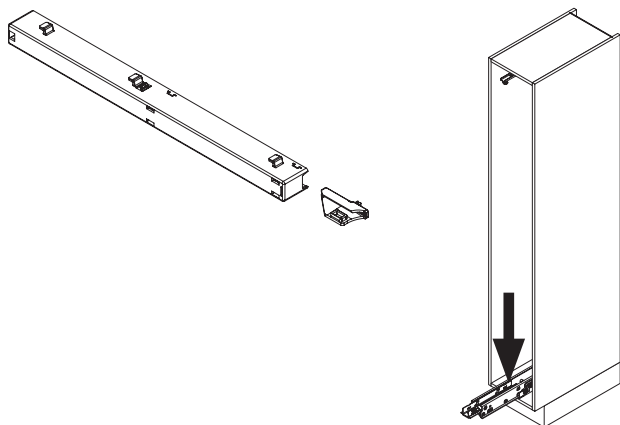
- > Power move® is an electrical push-to-open mechanism
- > Can be used in conjunction with the PAM mechanism
- > Can be retro-fitted
- > Fixings included
- > For use with VS TAL larder units with synchronized runners, shown on pages **1.30-31**
- > Drive control is dependant on load and will adjust itself automatically
- > By lightly pulling or pressing the cabinet front the electric motor is triggered to open the larder unit
- > Rubber minimises the amount of noise transmitted to the cabinet
- > Safety stop: Pull out movement is stopped if larder unit touches person or object in the way
- > If power fails, the larder unit can be used like a normal pull-out unit
- > Please note: the motor is mains powered, UK mains plug included, and will require access to a plug socket
- > Grey plastic
- > Order qty: 1 pc

VAUTH-SAGEL
10
YEAR
WARRANTY

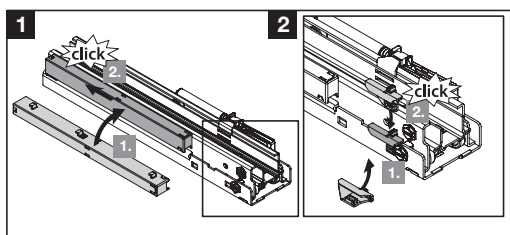
Fixings
included

Item	Cat. No.
Power move®	547.21.090

VS PAM power assisted movement



- > PAM is a mechanical pull-out-soft-stop mechanism
- > Offers and ensures a quiet and gentle stop of the larder unit in the pull-out direction
- > Can be used in conjunction with the Power move® mechanism
- > Tool-free installation, simply clips into place
- > For use with VS TAL larder units with synchronized runners, shown on pages **1.30-31**
- > Grey plastic
- > Order qty: 1 pc



VAUTH-SAGEL
10
YEAR
WARRANTY

Fixings
included

Item	Cat. No.
PAM	547.24.990

INCLUSIVE LIVING 2023, © Häfele U.K. Ltd 2023. Dimensional data not binding. We reserve the right to alter specifications without notice.



VAUTH-SAGEL STORAGE SOLUTIONS

Creating the perfect finish

Vauth-Sagel has stood for contemporary and innovative storage solutions for over 60 years. The family owned and managed business develops, manufactures and sells system components that are aimed at making people's lives more comfortable. Vauth-Sagel aims to help everyone to rediscover comfortable living environments and create space. With this mission, Vauth-Sagel accommodates the needs of its customers around the world with ground-breaking inspirational innovations that they can include in their designs.

PULL OUT CORNER UNIT - VAUTH-SAGEL VS COR FLEX

1

A pull out corner unit with four baskets which fully exit the cupboard allowing full access to the bottom rear basket. Unhanded and available for either 900 or 1000 mm cabinet widths.

Inclusive Kitchens: Storage

- > Maximises space whilst allowing full accessibility to entire unit
- > 100% of storage space extends from cupboard in one move
- > Unhanded unit easily installed into the base of cabinets
- > Integral self and soft closing
- > Choice of wire baskets: Classic linear or Saphir mesh, Premea solid based, Artline solid based glass sided or Planero metal baskets



VS COR FLEX with Planero lava grey metal baskets



10 YEAR WARRANTY - Delivering German engineering excellence

Covering their full range, the warranty gives you and your customers complete peace of mind when purchasing Vauth-Sagel products.

You can find further information on our website www.hafele.co.uk/vauth-sagel

VS COR Flex pull out corner unit complete set

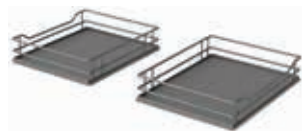


Planero lava grey metal baskets and lava grey frame shown

- > Installed height: 530 mm
- > Built-in depth: 480 mm
- > For minimum cabinet width 900 mm or 1000 mm
- > For 900 mm: Min. inside width = 693 mm
Min. door opening = 381 mm
- > For 1000 mm: Min. inside width = 802 mm
Min. door opening = 444 mm
- > Total weight capacity max. 32 kg
- > Weight capacity per basket max. 8 kg
- > Total surface area approx. 29.6 m²
- > Clearance between rear of front baskets and cabinet door when unit is fully extended is 40 mm
- > Every set comes complete with fixing materials and fitting instructions
- > Set includes:
 - 1x Frame set:
Hanging frames and base mounting track; silver or lava grey epoxy coated tubular steel
 - Front and back frames; silver or lava grey epoxy coated tubular steel
 - 1x Basket set:
2x Storage baskets (rear)
2x Storage baskets (front)
- > Order qty: 1 set



Planero lava grey metal baskets



Premea lava grey solid base and wire baskets



Premea solid white base and chrome wire baskets



Saphir mesh chrome wire baskets



Classic chrome linear wire baskets



Classic silver linear wire baskets

Front and rear baskets shown - visit hafele.co.uk for dimensions

VAUTH-SAGEL 10 YEAR WARRANTY	Soft Closing	Base Mounting	Unhanded	900	1000	Fixings included
--	---------------------	----------------------	-----------------	------------	-------------	-------------------------

	900 mm	1000 mm
For cabinet width	900 mm	1000 mm
For door width	450 mm	500 mm
Planero lava grey metal baskets	548.29.343	548.29.344
Premea lava grey solid base and wire baskets	548.29.423	548.29.424
Premea white solid base and chrome wire baskets	548.29.233	548.29.234
Saphir mesh chrome wire baskets	548.29.213	548.29.214
Classic chrome linear wire baskets	548.29.753	548.29.754
Classic silver linear wire baskets	548.29.853	548.29.854



Manual pull-out action - rear baskets extend outside of cabinet allowing full access

INCLUSIVE LIVING 2023. © Häfele U.K. Ltd 2023. Dimensional data not binding. We reserve the right to alter specifications without notice.

1 SWING OUT UNIT - VAUTH-SAGEL CORNERSTONE MAXX

Easy to assemble pull out shelving unit with shelves that operate independently. Once open shelves do not block adjoining cabinets.

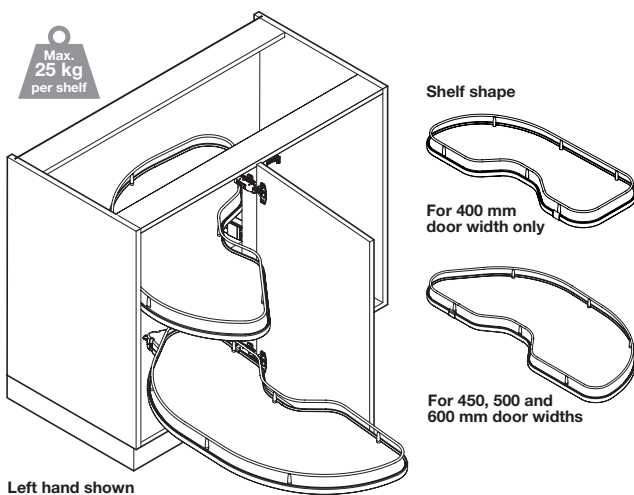
Inclusive Kitchens: Storage

- > EasyFit: tool-free assembly of shelf elements on the support arms
- > PAM: Power assisted movement in pull-out direction
- > Simple height adjustment, even when installed
- > The bases can be moved in and out independently and do not obstruct the adjacent cabinet
- > Floating design due to hidden fastening
- > Large area shelves
- > Each shelf has a 25 kg load capacity

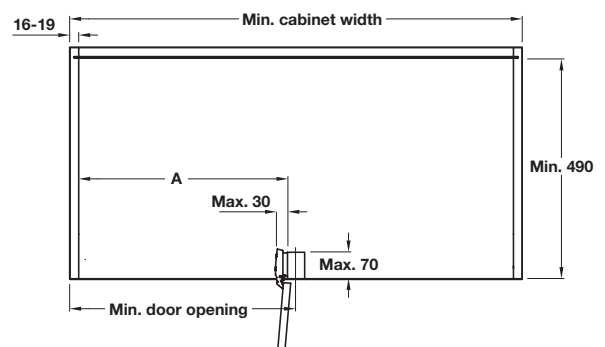


Cornerstone Maxx pull out unit with shelves, Planero lava grey, right hand

Installation



Cabinet dimensions



Min. cabinet width	Min. door width	Dim. A
800 mm	400 mm	Min. 361 mm
900 mm	450 mm	Min. 411 mm
1000 mm	500 mm	Min. 461 mm
1000 mm	600 mm	Min. 561 mm

INCLUSIVE LIVING 2023, © Häfele U.K. Ltd 2023. Dimensional data not binding. We reserve the right to alter specifications without notice.



10 YEAR WARRANTY - Delivering German engineering excellence

Covering their full range, the warranty gives you and your customers complete peace of mind when purchasing Vauth-Sagel products.

You can find further information on our website www.hafele.co.uk/vauth-sagel

Cornerstone Maxx pull out shelving unit



- > Suitable for 800, 900 or 1000 corner base cabinets
- > Built-in depth: min. 490 mm
- > Min. installation height: 650 mm
- > Total weight capacity max. 50 kg
- > Weight capacity per basket max. 25 kg
- > Single fixing point on cabinet centre post
- > Shelves pull out independently
- > Set includes:
 - 2x Shelves, lava grey metal sides and base or laminated wooden shelves with a lava grey or white base and lava grey or polished chrome rail
 - 1x Pull-out and pivoting mechanism
 - Fitting instructions
- > Order qty: 1 set

Right hand shown



Planero lava grey metal baskets



Premea lava grey solid base wire baskets



White solid base and chrome wire baskets

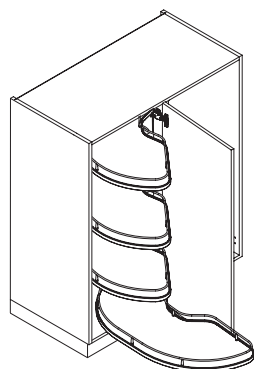
VAUTH-SAGEL 10 YEAR WARRANTY	Side Mounting	Handed L R	800	900	1000	Fixings included
---	---------------	------------------	-----	-----	------	------------------

For cabinet width	For door width	Left hand	Right hand
Planero lava grey shelves			
800 mm	400 mm	542.02.491	542.02.490
900 mm	450 mm	542.02.493	542.02.492
1000 mm	500 mm	542.02.495	542.02.494
1000 mm	600 mm	542.02.497	542.02.496
Premea lava grey solid base and wire shelves			
800 mm	400 mm	542.02.881	542.02.880
900 mm	450 mm	542.02.883	542.02.882
1000 mm	500 mm	542.02.885	542.02.884
1000 mm	600 mm	542.02.887	542.02.886
White solid base and chrome wire shelves			
800 mm	400 mm	542.02.291	542.02.290
900 mm	450 mm	542.02.293	542.02.292
1000 mm	500 mm	542.02.295	542.02.294
1000 mm	600 mm	542.02.297	542.02.296

Cornerstone Maxx extension pole



Photo and illustration shows extension pole, 542.02.001 in use with 2x Cornerstone Maxx pull out unit with shelves, 542.02.292



- > The extension pole is designed to facilitate the use of the Cornerstone Maxx shelving unit in midi and full height applications
- > For installed heights:
 - 1100-1350 mm
 - 1350-1600 mm
- > Single fixing point on cabinet centre post
- > Consists of:
 - 1x Upper support tube attachment point
 - 1x Support tube base cabinet
 - 1x Support tube tall cabinet
- Fitting instructions
- > Order qty: 1 pc

VAUTH-SAGEL 10 YEAR WARRANTY	Base Mounting
---	---------------

Installation height	Cat. No.
1100-1350 mm	542.02.001
1350-1600 mm	542.02.002

VAUTH-SAGEL VS SUB SLIM PULL OUT STORAGE UNITS

1

Inclusive Kitchens: Storage

The VS SUB Slim units make sure that every inch of space is fully utilised in a kitchen design. Fitting in a 150 mm cabinet width they make the best use of any remaining space between standard cabinets, with full extension allowing access to all contents.



10 YEAR WARRANTY - Delivering German engineering excellence

Covering their full range, the warranty gives you and your customers complete peace of mind when purchasing Vauth-Sagel products.

You can find further information on our website www.hafele.co.uk/vauth-sagel

- > For 150 mm cabinet width
- > Optimal use of space
- > Complete overview at one pull
- > Optimal access
- > Time saving
- > EasyFit: tool-free assembly on the runners
- > 3D front adjustment allows simple, convenient front adjustment
- > Integrated soft closing and self closing on both runners
- > Cabinet is not included

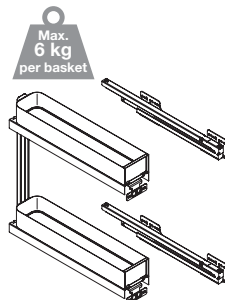


VS SUB Slim 90° storage baskets pull out unit, Lava grey Planero version

VS SUB Slim 90° Storage baskets pull out unit



Chrome-plated wire with solid base version



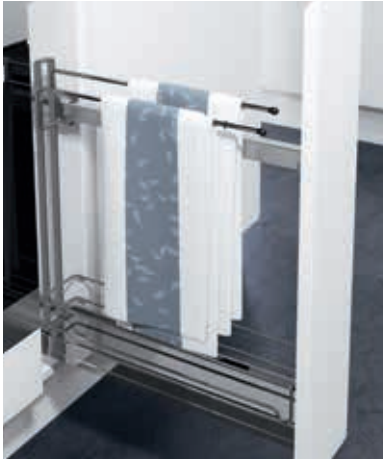
- > Min. installed height: 530 mm
- > Min. built-in depth: 495 mm
- > Baskets available in 2 designs; heavier gauge steel with solid base or Planero metal
- > Set includes:
 - 2x Storage baskets
 - 1x Pair roller bearing runners, galvanized steel, full extension, self closing including 2 dampers
 - 2x Door hanging plates, zinc-plated steel
- > Fixings are not included
- > Order qty: 1 set

VAUTH-SAGEL 10 YEAR WARRANTY	Soft Closing	Side Mounting	Right handed	150	FIXINGS REQUIRED
---	--------------	---------------	--------------	-----	------------------

For cabinet width / basket width	150 mm / 100 mm
Chrome-plated wire with solid base	545.12.272
Silver painted wire with solid base	545.12.861
Lava grey painted wire with solid base	545.12.572
Lava grey Planero	548.08.320

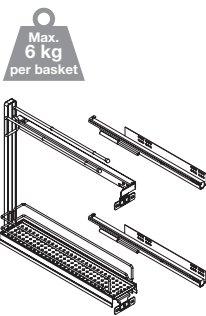
INCLUSIVE LIVING 2023, © Häfele U.K. Ltd 2023. Dimensional data not binding. We reserve the right to alter specifications without notice.

VS SUB Slim 90° Storage basket and towel holder pull out unit



Chrome version

- > Min. installed height: 530 mm
- > Min. built-in depth: 495 mm
- > Set includes:
 - 1x Storage basket, heavier gauge chrome-plated or silver painted steel with solid base
 - 1x 2-rail towel holder, heavier gauge chrome-plated or silver painted steel
 - 1x Pair ball bearing runners, galvanized steel, full extension, self closing including 2 dampers
 - 2x Door hanging plates, zinc-plated steel
- > Fixings are not included
- > Order qty: 1 set



VAUTH-SAGEL 10 YEAR WARRANTY	Soft Closing	Side Mounting	Right handed	150	FIXINGS REQUIRED
---------------------------------------	-----------------	------------------	-----------------	-----	---------------------

For cabinet width / basket width	Chrome	Silver
150 mm / 100 mm	545.12.252	545.12.952

1
Inclusive Kitchens: Storage

VAUTH-SAGEL TAL WIRO

Vauth-Sagel TAL WIRO pull out units for 150 mm wide cabinets with either 5 storage baskets, 16 bottle wine rack, 3 storage baskets and 8 bottle wine rack or broom and cleaning storage. Grass Nova Pro runners.

Visit hafele.co.uk to view the full range.



INCLUSIVE LIVING 2023. © Häfele U.K. Ltd 2023. Dimensional data not binding. We reserve the right to alter specifications without notice.

VAUTH-SAGEL VS SUB SIDE PULL OUT STORAGE

1

The VS SUB SIDE pull-out is the proven solution for base cabinets. This popular classic has additional front stabilization and an adjustment device for wide fronts and all angles. Frame has new improved 'airmotion' technology for smooth operation.

Inclusive Kitchens: Storage



10 YEAR WARRANTY - Delivering German engineering excellence

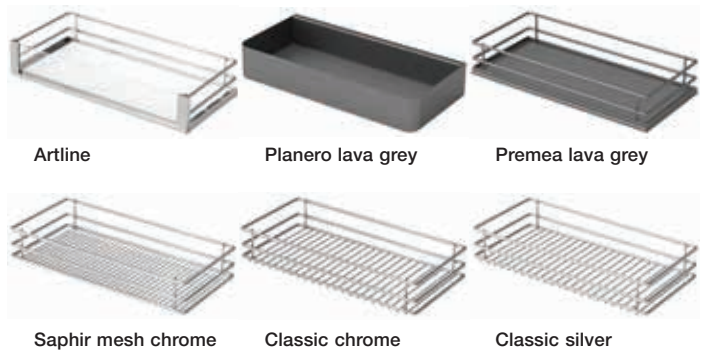
Covering their full range, the warranty gives you and your customers complete peace of mind when purchasing Vauth-Sagel products.

You can find further information on our website www.hafele.co.uk/vauth-sagel



VS SUB Side pull out storage unit frame with Premea lava grey storage basket set for 300 mm cabinet - order frame and baskets separately

- > VS SUB Side pull out storage offers flexibility
- > Choice of baskets:
 - > For 300 mm cabinet width - Classic linear or Saphir mesh, Premea solid based, Artline solid based glass sided or Planero metal baskets
 - > For 150 mm cabinet width - Saphir mesh baskets, also with towel rail option
- > Frame and baskets are ordered separately
- > Cabinet is not included



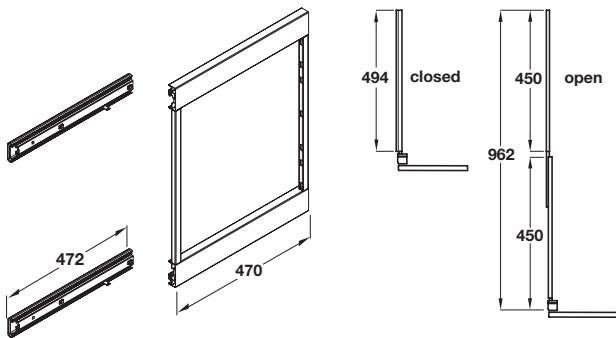
Artline Planero lava grey Premea lava grey
Saphir mesh chrome Classic chrome Classic silver

VS SUB Side pull out storage unit frame



Silver epoxy coated Lava grey epoxy coated

- > For use with baskets shown
- > Integrated soft close dampener
- > Min. installed height: 580 mm
- > Built-in depth: See baskets, for cabinet widths 150/300 mm
- > Steel
- > Order qty: 1 set



VAUTH-SAGEL 10 YEAR WARRANTY	Soft Closing	Side Mounting	Unhanded	Fixings included
--	-----------------	------------------	----------	---------------------

YOU ALSO NEED:

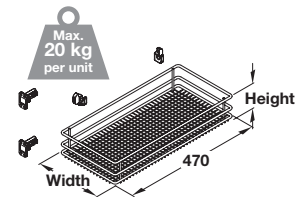
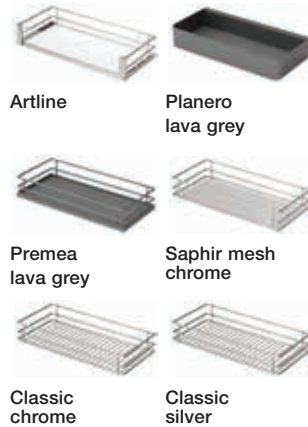


Finish	Cat. No.
Silver epoxy coated	546.39.995
Lava grey epoxy coated	546.34.351

VS SUB Side storage basket set



300 mm cabinet - order frame separately, shown with Planero lava grey baskets



- > Min. built-in depth: 495 mm
- > For cabinet width: 300 mm
- > Basket width: 220 mm
- > Baskets available in 5 designs
- > Set includes:
 - 2x Storage baskets
 - 4x Clips, grey or lava grey plastic
 - 2x Door hanging plates, zinc-plated steel
- > Note: Pull out frame 546.39.995 or 546.34.351 must be ordered separately
- > Order qty: 1 set

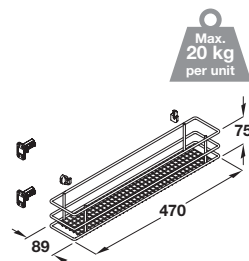


Basket style	Basket height	Cat. No.
Artline glass sided chrome wire	84 mm	546.40.363
Planero lava grey metal	80 mm	546.36.382
Premea lava grey solid base and wire	84 mm	546.40.493
Saphir mesh chrome wire	75 mm	546.40.343
Classic chrome linear wire	75 mm	546.40.303
Classic silver linear wire	75 mm	546.40.903

VS SUB Side storage basket set



150 mm cabinets - order frame separately



- > Built-in depth: 495 mm
- > For cabinet width: 150 mm
- > Basket width: 89 mm
- > Set includes:
 - 2x Storage baskets, polished chrome-plated steel
 - 4x Clips, grey plastic
 - 2x Door hanging plates, zinc-plated steel
- > Note: Pull out frame 546.39.995 must be ordered separately
- > Order qty: 1 set

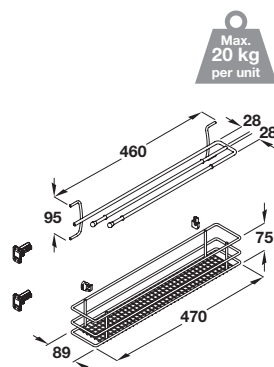


Basket style	Cat. No.
Saphir mesh chrome wire	546.40.340

VS SUB Side storage basket and towel holder set



150 mm cabinets - order frame separately



- > Built-in depth: 495 mm
- > For cabinet width: 150 mm
- > Basket width: 89 mm
- > Set includes:
 - 1x Storage basket, polished chrome-plated steel
 - 1x Towel rail, polished chrome-plated steel
 - 4x Clips, grey plastic
 - 2x Door hanging plates, zinc-plated steel
- > Note: Pull out frame 546.39.995 must be ordered separately
- > Order qty: 1 set



Basket style	Cat. No.
Saphir mesh chrome wire	546.40.310

YOU ALSO NEED:



VAUTH-SAGEL VS SUB BASKET

1

Storage basket sets for both front fixing door and hinged door cabinets.

Inclusive Kitchens: Storage



10 YEAR WARRANTY - Delivering German engineering excellence

Covering their full range, the warranty gives you and your customers complete peace of mind when purchasing Vauth-Sagel products.

You can find further information on our website www.hafele.co.uk/vauth-sagel



3x sets for hinged door cabinets, Saphir mesh chrome wire baskets



You can also build tall storage using these baskets that pull out separately - 5x sets for hinged door cabinets, lava grey Planero metal baskets



2x sets for hinged door cabinets, lava grey Planero metal baskets



2x sets for hinged door cabinets, Saphir mesh chrome wire baskets



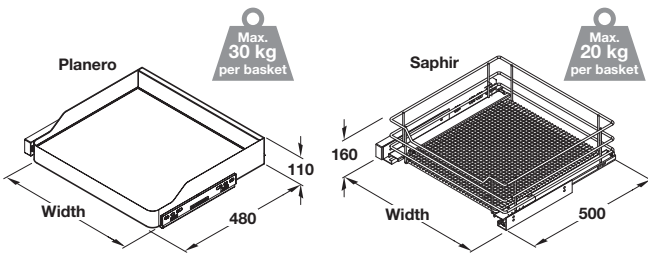
2x sets for door front fixing cabinets, Saphir mesh chrome wire baskets

INCLUSIVE LIVING 2023, © Häfele U.K. Ltd 2023. Dimensional data not binding. We reserve the right to alter specifications without notice.

Vauth-Sagel VS SUB Basket, for hinged door cabinets



- > To suit 400, 450, 500 or 600 mm cabinet widths with 16/19 mm board thickness
- > Min. built in depth: Saphir: 515 mm, Planero: 500 mm
- > Stated basket width includes basket, runners and spacers
- > Set includes:
 - 1x Storage basket, chrome-plated steel Saphir mesh wire or lava grey Planero metal
 - 1x Pair roller bearing runners, galvanized steel, full extension, self closing
- > Order qty: 1 set

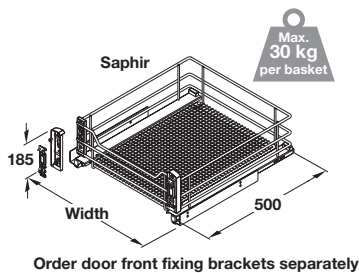


For cabinet width	Basket width	Cat. No.
Lava grey Planero		
400 mm	313 mm	548.01.492
500 mm	413 mm	548.01.494
600 mm	513 mm	548.01.495
Saphir mesh chrome wire		
400 mm	362-368 mm	548.01.212
450 mm	412-418 mm	548.01.213
500 mm	462-468 mm	548.01.214
600 mm	562-568 mm	548.01.216

Vauth-Sagel VS SUB Basket, for door front fixing cabinets



- > To suit 400, 500 or 600 mm cabinet widths with 16/19 mm board thickness
- > Min. built in depth: 515 mm
- > *Stated basket width includes basket, runners and spacers
- > Set includes:
 - 1x Storage basket, chrome-plated steel Saphir mesh chrome wire
 - 1x Pair roller bearing runners, galvanized steel, full extension, self closing
- > Order qty: 1 set



For cabinet width	Basket width*	Cat. No.
400 mm	362-368 mm	548.01.202
500 mm	462-468 mm	548.01.204
600 mm	562-568 mm	548.01.206
Door front fixing brackets (1 pair)		548.01.999



Door front fixing brackets 548.01.999 must be ordered separately

ASSEMBLED MATRIX BOX SLIM A30 DRAWERS

1

Pre-assembled drawers; just add drawer front.

Inclusive Kitchens: Storage



Matrix Box Slim A30 drawers in anthracite (drawer front and handle not included)



Anthracite



Grey

- > A linear design with slim 13 mm drawer sides
- > Three heights 89, 128 and 175 mm, with eight widths
- > Easy to order as all components come assembled in one box - Choose your drawer height, width and finish, and we supply your complete assembled drawer kit for easy installation, utilising your own drawer front
- > Grey or anthracite powder coated steel drawer sides 450 mm deep
- > Supplied with 30 kg synchronised galvanized steel runners with smooth and soft close mechanism on both sides
- > Aluminium or anthracite coloured MFC chipboard base and back, 16 mm thick
- > Drawer front not included



INCLUSIVE LIVING 2023, © Häfele U.K. Ltd 2023. Dimensional data not binding. We reserve the right to alter specifications without notice.

Matrix Box Slim A30, 89 mm high, 30 kg load capacity, drawer system



- > Grey or anthracite powder coated steel 89 mm high drawer sides 450 mm deep
- > Drawer front not included
- > Order qty: 1 set



For cabinet width	Grey	Anthracite
300 mm	519.03.001	519.03.101
400 mm	519.03.003	519.03.103
450 mm	519.03.004	519.03.104
500 mm	519.03.005	519.03.105
600 mm	519.03.007	519.03.107
800 mm	519.03.008	519.03.108
900 mm	519.03.009	519.03.109
1000 mm	519.03.010	519.03.110

Matrix Box Slim A30, 128 mm high, 30 kg load capacity, drawer system



- > Grey or anthracite powder coated steel 128 mm high drawer sides 450 mm deep
- > Drawer front not included
- > Order qty: 1 set



For cabinet width	Grey	Anthracite
300 mm	519.04.001	519.04.101
400 mm	519.04.003	519.04.103
450 mm	519.04.004	519.04.104
500 mm	519.04.005	519.04.105
600 mm	519.04.007	519.04.107
800 mm	519.04.008	519.04.108
900 mm	519.04.009	519.04.109
1000 mm	519.04.010	519.04.110

Matrix Box Slim A30, 175 mm high, 30 kg load capacity, drawer system



- > Grey or anthracite powder coated steel 175 mm high drawer sides 450 mm deep
- > Drawer front not included
- > Order qty: 1 set



For cabinet width	Grey	Anthracite
300 mm	519.05.001	519.05.101
400 mm	519.05.003	519.05.103
450 mm	519.05.004	519.05.104
500 mm	519.05.005	519.05.105
600 mm	519.05.007	519.05.107
800 mm	519.05.008	519.05.108
900 mm	519.05.009	519.05.109
1000 mm	519.05.010	519.05.110

INCLUSIVE LIVING 2023. © Häfele U.K. Ltd 2023. Dimensional data not binding. We reserve the right to alter specifications without notice.

ASSEMBLED MATRIX BOX S DRAWERS

1

Pre-assembled drawers; just add drawer front.

Inclusive Kitchens: Storage



Matrix Box S drawers in anthracite (drawer front and glass sides not included)



Grey



Anthracite

- > Three heights 84, 135 and 199 mm, with eight widths
- > Easy to order as all components come assembled in one box - Choose your drawer height, width and finish, and we supply your complete assembled drawer kit for easy installation, utilising your own drawer front
- > Grey or anthracite powder coated steel drawer sides 450 mm deep
- > Supplied with 35 kg full extension galvanized steel runners with integrated soft close mechanism
- > Aluminium or anthracite coloured MFC chipboard base and back, 16 mm thick
- > Drawer front not included



INCLUSIVE LIVING 2023, © Häfele U.K. Ltd 2023. Dimensional data not binding. We reserve the right to alter specifications without notice.

Matrix Box S, 84 mm high, 35 kg load capacity, drawer system



- > Grey or anthracite powder coated steel 84 mm high drawer sides 450 mm deep
- > With 84 mm high back panel
- > Drawer front not included
- > Order qty: 1 set



For cabinet width	Grey	Anthracite
300 mm	519.00.001	519.00.101
400 mm	519.00.003	519.00.103
450 mm	519.00.004	519.00.104
500 mm	519.00.005	519.00.105
600 mm	519.00.007	519.00.107
800 mm	519.00.008	519.00.108
900 mm	519.00.009	519.00.109
1000 mm	519.00.010	519.00.110

Matrix Box S, 135 mm high, 35 kg load capacity, pan drawer system



- > Grey or anthracite powder coated steel 84 mm high drawer sides 450 mm deep
- > With gallery rails and 135 mm high back panel
- > Drawer front not included
- > Order qty: 1 set



For cabinet width	Grey	Anthracite
300 mm	519.01.001	519.01.101
400 mm	519.01.003	519.01.103
450 mm	519.01.004	519.01.104
500 mm	519.01.005	519.01.105
600 mm	519.01.007	519.01.107
800 mm	519.01.008	519.01.108
900 mm	519.01.009	519.01.109
1000 mm	519.01.010	519.01.110

Matrix Box S, 199 mm high, 35 kg load capacity, pan drawer system



- > Grey or anthracite powder coated steel 84 mm high drawer sides 450 mm deep
- > With gallery rails and 199 mm high back panel
- > Drawer front not included
- > Order qty: 1 set



For cabinet width	Grey	Anthracite
300 mm	519.02.001	519.02.101
400 mm	519.02.003	519.02.103
450 mm	519.02.004	519.02.104
500 mm	519.02.005	519.02.105
600 mm	519.02.007	519.02.107
800 mm	519.02.008	519.02.108
900 mm	519.02.009	519.02.109
1000 mm	519.02.010	519.02.110

VAUTH-SAGEL VS ENVI SPACE XX PRO PULL OUT WASTE BIN

The VS ENVI Space XX Pro range includes our maximum capacity bins.

1

Inclusive Kitchens: Waste Bins



10 YEAR WARRANTY - Delivering German engineering excellence

Covering their full range, the warranty gives you and your customers complete peace of mind when purchasing Vauth-Sagel products.

You can find further information on our website www.hafele.co.uk/vauth-sagel

- > System includes its own synchronised over extension runners for side fixing to cabinets and door front
- > Automatic closure and soft closing mechanism
- > Total system capacity: 33.2 to 91 litres



Food safe



Perfect for storage



Lava grey finish

VS ENVI Space XX Pro S pull out waste bins



600 mm cabinet, silver finish



600 mm cabinet, lava grey finish

- > Suitable for 600 mm cabinets with 16 mm or 18/19 mm board thickness
- > Min. installed depth: 476 mm
- > Min. installed height: 580 mm
- > Designed to be withdrawn from the cabinet whilst the lid remains inside
- > Integral 3-way front adjustment via excenter
- > Integral Grass Nova Pro soft and self closing, synchronised, over extension runners
- > Silver or lava grey epoxy coated steel side panels, lid, frame housing and mounting components and grey plastic bins
- > Order qty: 1 pc



For cabinet width	Total capacity	Bins included	Silver	Lava grey
600 mm	88 litres	2x 44 litres	503.44.544	503.44.344



VS ENVI Kick foot operated door opener is available to order separately, shown on page 1.49

INCLUSIVE LIVING 2023, © Häfele U.K. Ltd 2023. Dimensional data not binding. We reserve the right to alter specifications without notice.

VAUTH-SAGEL ENVI KICK

The Envi Kick is a mechanical door opening system for use with any soft and self closing door front fixing system. By pressing down on the pedal a spring loaded plate is released which pushes open the door front and then falls back into place.



10 YEAR WARRANTY - Delivering German engineering excellence

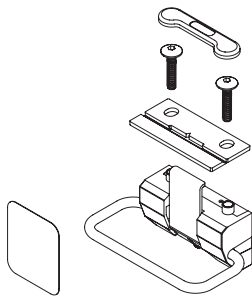
Covering their full range, the warranty gives you and your customers complete peace of mind when purchasing Vauth-Sagel products.

You can find further information on our website www.hafele.co.uk/vauth-sagel

VS ENVI Kick foot operated door opener, for door front fixing cabinets



- > A system for the soft and easy opening of all front pull-outs such as the VS ENVI Space, ENVI Space XX and ENVI Fit. The ergonomically designed pedal opens the waste bin system fully with minimal effort. The opening mechanism then returns automatically to its starting position
- > For door front fixing cabinets
- > Hygienic solution - simple and hands-free door opening using foot pedal
- > Minimum plinth height: 70 mm
- > For all front pull-outs for example VS ENVI Space, ENVI Space XX and ENVI Fit with self-closing and soft-closing
- > Easy installation with installation template provided with the kit
- > Minimum required space under the waste bin systems or drawers
- > Retrofit in any pull-out system with front opening possible
- > Pedal is returned to starting position by a spring
- > Virtually silent
- > No scratching to the front
- > Includes pedal with spring, counterplate and spring-loaded roller arm
- > Matt chrome-plated wire pedal, grey plastic case
- > Order qty: 1 pc



Cat. No.	
Door opener	503.04.950

INCLUSIVE LIVING 2023. © Häfele U.K. Ltd 2023. Dimensional data not binding. We reserve the right to alter specifications without notice.



Compatible Vauth-Sagel waste bins ENVI Space XX, ENVI Space Pro, ENVI Space S and ENVI Fit are available to order separately, shown on page 1.48 or visit www.hafele.co.uk/waste-bins

NINKA BIOBIN WASTE CONTAINER

1

Organic waste disposal made easy. This compact waste bin can be used in any kitchen or elsewhere in the home. It easily hooks on the outside of cabinet doors of various thicknesses and helps to clean up and keep tidy whilst preparing food.

Inclusive Kitchens: Waste Bins



- > This practical waste disposal product means that worktops stay hygienic at all times, and unpleasant smells can easily be kept at bay by simply closing the lid
- > Can be used in any kitchen or elsewhere in the home
- > Hooks over the top of the cupboard door and fits under the worktop
- > Easy to close with hygienic lid
- > Easy to clean



Ninka BioBin waste container



- > Height x width x depth: 165 x 227 x 170 mm
- > Suitable for door thickness 16-22 mm
- > Capacity: 4.2 litres
- > Plastic
- > Order qty: 1 pc

Hooks over the top of the cupboard door

**2 Year
Warranty**

Finish	Cat. No.
Dark grey	502.47.996

INCLUSIVE LIVING 2023, © Häfele U.K. Ltd 2023. Dimensional data not binding. We reserve the right to alter specifications without notice.



SMART STORAGE AND BINS

Style | Quality | Functionality

Häfele's choice of storage solutions includes corner units, pull out units, larder units and a huge range of bins. From leading manufacturers like Vauth-Sagel, functional space in the kitchen is now even easier to achieve.

SINKS & TAPS FOR KITCHENS

1

Inclusive Kitchens: Sinks and Taps

Whether you are looking for a classic ceramic or functional stainless steel sink, we have something stunning to suit your latest kitchen design.

Always consider the needs of the individual whilst remembering the context of a multi-user space to choose a tap to suit everyone's needs.

Visit www.hafele.co.uk to view the full range.



GROHE Essence single lever tap in polished copper finish - 569.26.980



Pronteau ProStream 3-in-1 instant hot water tap in matt black finish - 569.93.321

For a wide range of taps including mixer taps, single levers, hot taps and sprayers please visit www.hafele.co.uk/grohe



GROHE Red Duo 3-in-1 instant hot water tap in polished chrome finish - 569.24.220



GROHE K700U 1.0 bowl inset/undermount sink in black finish - 570.42.400

INCLUSIVE LIVING 2023, © Häfele U.K. Ltd 2023. Dimensional data not binding. We reserve the right to alter specifications without notice.



YOUR HÄFELE GUIDE TO SINKS & TAPS

We're making it easier to find the right options for your customers thanks to our dedicated Sinks & Taps from Häfele e-catalogue. Discover products from leading brands Smeg, Geohe, Rangemaster and Abode, to make sourcing and ordering the product you need for your project quicker and easier.

Visit www.hafele.co.uk/sink-taps-directory to view our Sinks & Taps from Häfele e-catalogue



ROPOX SINK FOR ACCESSIBLE KITCHENS

Inset single bowl sink with shallow bowl depth of 100 mm making this sink especially suitable for accessible kitchens.

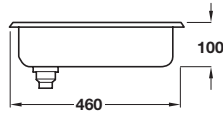
1

Inclusive Kitchens: Sinks and Taps



- > Taps for accessible kitchens are shown on page **1.55**
- > Suitable for the elderly and the disabled

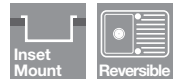
Ropox single bowl inset shallow sink with insulation pad



- > Overall size: 460 x 400 mm
- > Bowl size: 400 x 340 mm
- > Cut-out size: 430 x 370 mm
- > With insulation pad and safety strip
- > Insulation pad makes it safe and protects the legs of seated users when the sink is filled with hot water
- > Satin stainless steel
- > Waste kit included
- > Order qty: 1 pc

! The pre-cutting of worktops before product is received is not advised - dimensional data is not binding

➔ Order flexible plumbing kit and sink pad separately, shown below



	Cat. No.
Reversible	567.28.000

Flexible plumbing kit



- > Plumbing kit enables sinks to be used with height adjustable Ropox worktops
- > Set includes:
 - 1200 mm flexible waste pipe, white
 - 250 mm waste elbow including trap, white
 - 2x flexible 1 m feed pipes
- > Order qty: 1 pc

Item	Cat. No.
Flexible plumbing kit	506.16.365

Sink pad



- > Insulation pad makes sink safe and protects the legs of seated users when the sink is filled with hot water
- > Order qty: 1 pc

Size	Cat. No.
330 x 270 mm	588.49.399

➔ Ropox range of fittings for creating accessible kitchens are shown on pages **1.4-21**

INCLUSIVE LIVING 2023, © Häfele U.K. Ltd 2023. Dimensional data not binding. We reserve the right to alter specifications without notice.

GROHE SMARTCONTROL TAP

The SmartControl tap is operated by simply pushing the button on the spray head to turn water flow on or off. To adjust the temperature turn the valve on the base body to the left or right. Integrated pull out spray head with magnetic docking.

- > Thanks to the innovative SmartControl feature you can start and stop the water flow with just the push of a button. Turn to adjust the volume, from water-saving eco mode to full flow. You can even turn it on hands-free with just a press of your wrist or elbow. The temperature is easily adjusted via the mixing valve on the tap's body
- > The pull-out spray head with laminar adds to the flexibility, making it easy to prep veg or clean the sink without splashing. GROHE Magnetic Docking means the spray head retracts smoothly back into place once you are finished
- > With GROHE QuickFix Plus rapid installation system with flexible connection hoses you can be confident of a swift and simple fitting process



GROHE Minta Smartcontrol tap with pull out spray, L-spout



- > Overall height: 366 mm
- > Spout exit height: 314 mm
- > Spout exit reach: 199 mm
- > 1.0 bar min. operating pressure
- > 5.0 bar max. operating pressure
- > Control valve type: Quarter turn ceramic disc
- > Flexible tails included
- > 360° swivel spout
- > Body material: Brass
- > Order qty: 1 pc



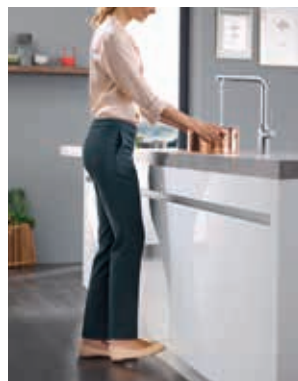
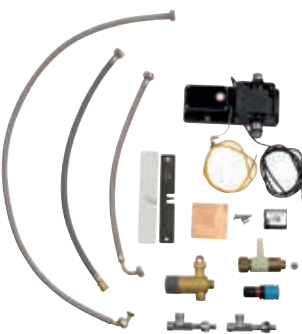
5 Year Warranty

Finish	Cat. No.
Polished chrome	569.25.200

HANDS-FREE TAP CONTROL

GROHE's new FootControl taps can be turned on and off with a gentle tap of your foot on the base unit, leaving your hands free and your tap spotless at all times. Can be retro-fitted to a wide range of GROHE pull out kitchen taps - talk to us for more information.

Foot control set for GROHE taps



- > Retrofit set; for upgrading any GROHE pull-out kitchen tap with FootControl technology
- > Application: Tap can be switched off and on by using foot to touch sensor plate
- > Set includes:
 - Mixer valve
 - Touch sensor
 - Power unit
 - Flexible tail adaptor
- > Order qty: 1 set

5 Year Warranty



Taps are not included with the foot control set for GROHE taps - can be retro-fit to any GROHE pull-out kitchen taps

	Cat. No.
Foot control set for GROHE taps	569.25.970

INCLUSIVE LIVING 2023. © Häfele U.K. Ltd. 2023. Dimensional data not binding. We reserve the right to alter specifications without notice.

APPLIANCES FOR KITCHENS

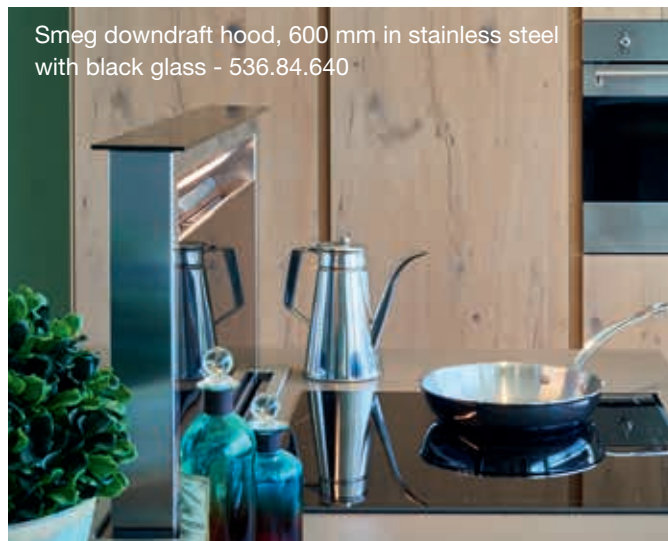
1

Inclusive Kitchens: Appliances

Always consider the space available when planning appliances in an inclusive kitchen – it may be that the principle of the ‘work triangle’ isn’t the most suitable for all users. For example, a linear formation may make it easier to lift either hot or heavy items from appliance to work surface. Other elements to consider are:

- > Consider a built-in oven for those who have trouble bending or reaching as opposed a traditional floor standing design
- > Avoid open flames by using either an induction or ceramic hob
- > Think about the placement of appliances within the room to ensure an appropriate turning circle for wheelchair users
- > Consider placement of worktops / appliances to allow for easy transfer when putting in or removing food from the oven. Even simple tricks such as positioning the middle shelf of the oven in line with the work surface can make side transfer of hot items easier and safer
- > Make sure the position of the hob controls are at the front of the work surface which will make them easier to access for all users

Visit www.hafele.co.uk/appliances to view the full range.



Smeg downdraft hood, 600 mm in stainless steel with black glass - 536.84.640



Smeg Dolce Stil Novo black glass with copper trim induction hob with extractor - 536.64.151



Smeg white glass induction hob - 536.64.141

INCLUSIVE LIVING 2023, © Häfele U.K. Ltd 2023. Dimensional data not binding. We reserve the right to alter specifications without notice.



YOUR HÄFELE GUIDE TO KITCHEN APPLIANCES

We're making it easier to find the right options for your customers thanks to our Kitchen Appliances from Häfele e-catalogue.

Regularly updated with our latest designs including products from leading brands Smeg, Mercury, Hoover, Candy and Rangemaster, the new e-catalogue will make sourcing and ordering the product you need quicker and easier.

Visit www.hafele.co.uk/kitchen-appliances to view our Kitchen Appliances from Häfele e-catalogue



COLOUR AND CONTRAST OF SURFACES

Colour and contrast can be used to help people with visual impairment identify key features within rooms. Good use of colour can make independent living easier.

- > Contrast the worktops with cabinet doors and handles to enable people to locate themselves within their surroundings and avoid accidental injury from edges
- > Keep this in mind when selecting doors, worktops, floor and wall colourings as it can help to ease navigation further by having a high contrast
- > Bear in mind that as we age, people experience colour in a more washed-out perspective and find blues, greens and purples harder to identify
- > Remember lighting can play an important role in how different colours and combinations of colours are seen and experienced so keep this in mind as you design

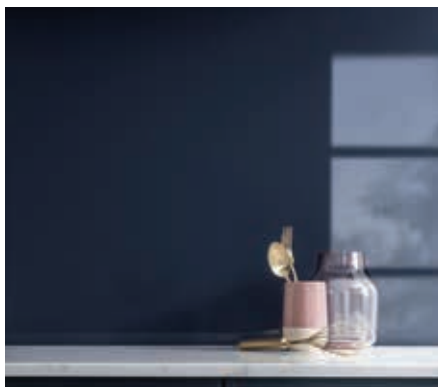
ALUSPLASH SPLASHBACKS

The inclusion of a splashback in the right colour can make a huge impact in an inclusive kitchen. Not only is AluSplash available in a vast array of colours to suit a variety of needs, but it is also available in a matt finish to reduce reflections and glare. Always consider the light reflective value to aid creating clear distinctions within the room. The sleek and modern finish can give a stylish uplift to any kitchen design.

Maintenance and hygiene benefits:

- > AluSplash is easy to maintain as it comes as a continuous section making it easy to clean without any grout lines
- > It is manufactured with a non-toxic and lead-free paint and doesn't shatter or crack like glass
- > Mould and bacterial growth are prevented thanks to the unique surface coating, which is carefully formulated to make it a hygienic solution for interior walls, cooker splashbacks and other kitchen features

Visit www.hafele.co.uk/alusplash to view the full range.



Metallic Blueberry



Metallic Olive green



Satin matt Grey marble



SOLID SURFACE WORKTOPS

The seamless and inconspicuous joints of both the maia and minerva worksurface ranges make them a luxurious addition to any home. Being both exceptionally durable and easy to maintain and protected by a 10-year manufacturer guarantee, they are a great choice in kitchens but also in other areas of the home.

Minerva is manufactured to a full 25 mm thickness with colour throughout, with its wide range of 18 decors allowing minerva to be the best fit for any style of home.

Maia's broad selection of 15 decors are available in 28 mm or 42 mm thickness, providing an unmatched flexibility when designing your unique kitchen.

Don't forget to consider the installation of hot rods near appliances to ensure easy heatproof transfer from the oven or hob to a nearby surface.

Visit www.hafele.co.uk to view the full range.

INCLUSIVE LIVING 2023. © Häfele U.K. Ltd 2023. Dimensional data not binding. We reserve the right to alter specifications without notice.



Maia solid surface vanilla finish



Minerva solid surface blue venato finish

WORKTOP ACCESSORIES AND INSTALLATION

1

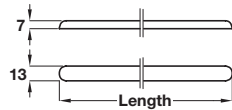
A carefully selected range of accessories and tools for installation, care and maintenance of all types of worktops, splashbacks and upstands.

Inclusive Kitchens: Worktops and Splashbacks

Hot rod set, self adhesive



- > Protects worktops made of marble, granite, synthetic material, laminate and others from burns and scratches
- > Adhesive resistant to heat and humidity
- > Stainless steel coloured zinc alloy
- > Order qty: 1 set (1 set = 6 pcs)



Length	Cat. No.
300 mm	808.90.090
450 mm	808.90.091

AVAILABLE
NOW

BESPOKE WORKTOP SERVICE

**SAVE TIME WITH HÄFELE'S CUSTOMISED
WORKTOPS | AVAILABLE NOW**

Bespoke worktops are tailor-made to fit your workspace. They are manufactured to your precise requirements, meaning no need for additional cost or work on site.

Order online at www.hafele.co.uk/hafele-to-order | By phone **0800 171 2916** | By email hafeletoorder@hafele.co.uk

Subject to a 14-day standard lead time.
Delivery terms apply see www.hafele.co.uk/delivery for information.

FURNITURE HANDLES

Häfele offer a wide range of handles, knobs, and profile systems to meet all design, aesthetic, and functional needs. It is important to consider the customer's needs, how they access fixtures such as cupboards, appliances, or windows, and whether they have any fine motor difficulties which mean their grip, or grip strength is limited. Although appearance is important, not considering the personal, client-centred needs renders the space inaccessible and unfit for purpose. Häfele's range facilitates inclusive design and empowers customers to remain active and independent.



TARVOS pull handle



GRAF BIG knob and bar handle



U pull handle



BARTRAM bar handle

INCLUSIVE LIVING 2023, © Häfele U.K. Ltd 2023. Dimensional data not binding. We reserve the right to alter specifications without notice.



HÄFELE

FURNITURE HANDLES
INCLUDING PROFILES FOR HANDLE FREE APPLICATIONS



OCTOBER 2021 EDITION

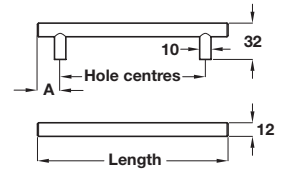
YOUR HÄFELE GUIDE TO FURNITURE HANDLES

Find the perfect finishing touch in our dedicated Furniture Handles e-catalogue.

Choose from our range of over 2000 handles which include a variety of colours, finishes and styles.

Visit www.hafele.co.uk/furniture-handles-directory to view our Furniture Handles e-catalogue

BARKSTON bar handle, Ø 12 mm

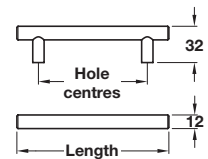


- > *2 each of M4 x 45 mm snap off handle screws included (101.20.700 includes an additional 1x M4 x 25 mm screw)
- > Order M4 handle screws separately
- > Steel
- > Order qty: 1 pc



Length	Hole centres	Dim. A	Stainless steel effect
136 mm	96 mm	20 mm	101.20.709
168 mm	128 mm	20 mm	101.20.700*
226 mm	156 mm	35 mm	101.20.701*
230 mm	160 mm	35 mm	101.20.710*
232 mm	192 mm	20 mm	101.20.708
326 mm	256 mm	35 mm	101.20.702*
376 mm	306 mm	35 mm	101.20.703*
426 mm	356 mm	35 mm	101.20.704
526 mm	456 mm	35 mm	101.20.705
702 mm	632 mm	35 mm	101.20.706
828 mm	758 mm	35 mm	101.20.707*

BARTRAM bar handle



- > Order M4 handle screws separately
- > *2x M4 x 20 mm, 2x M4 x 22 mm and 2x M4 x 25 mm screws included
- > Steel
- > Order qty: 1 pc



Length	Hole centres	Cat. No.
Antique copper		
178 mm	128 mm	117.97.062
220 mm	160 mm	117.97.063*
Brushed oil rubbed bronze		
178 mm	128 mm	117.97.162
220 mm	160 mm	117.97.163

PUMA bar handle

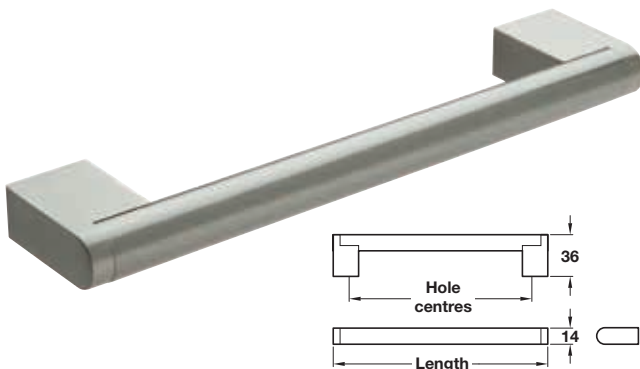


- > 2x M4 x 45 mm snap off handle screws included
- > Steel
- > Order qty: 1 pc



Finish	Cat. No.
Matt black epoxy	101.20.325

BOSTON boss bar handle



- > Order M4 handle screws separately
- > *2x M4 x 22 mm, 2x M4 x 25 mm and 2x M4 x 28 mm included
- > Zinc alloy ends, with hollow stainless steel tube or solid steel bar
- > Order qty: 1 pc



Length	Hole centres	Stainless steel effect
Hollow stainless steel tube		
156 mm	128 mm	115.69.002
188 mm	160 mm	115.69.003*
220 mm	192 mm	115.69.004
237 mm	209 mm	104.74.011
284 mm	256 mm	115.69.006
337 mm	309 mm	104.74.012
348 mm	320 mm	115.69.008
387 mm	359 mm	104.74.013
437 mm	409 mm	104.74.014
476 mm	448 mm	115.69.009
537 mm	509 mm	104.74.015
Solid steel bar		
751 mm	709 mm	104.74.016
849 mm	807 mm	104.74.017
951 mm	909 mm	104.74.018
1199 mm	1157 mm	104.74.019

LAMA pull handle

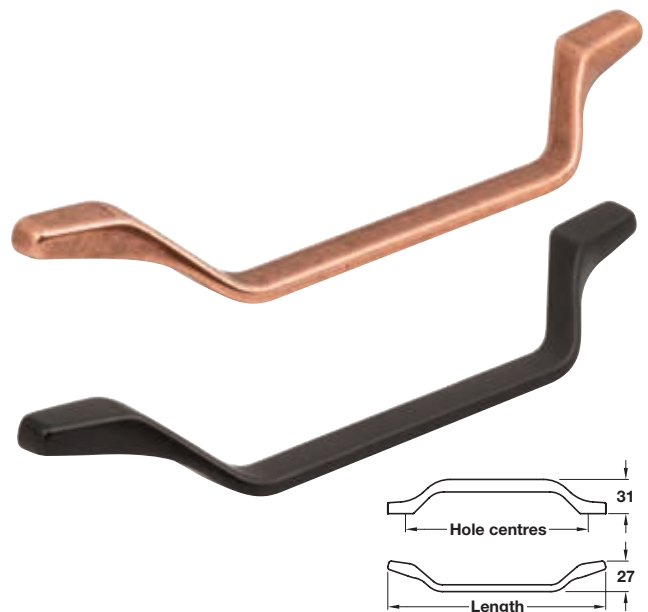


- > 2x M4 x 30 mm handles screws included
- > Zinc alloy
- > Order qty: 1 pc



Length	Hole centres	Polished chrome	Graphite
170 mm	160 mm	110.22.296	110.22.596
330 mm	320 mm	110.22.299	110.22.599

OSAKA pull handle

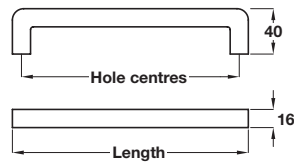


- > 2 each of M4 x 22 mm and M4 x 26 mm handle screws included
- > Zinc alloy
- > Order qty: 1 pc



Length	Hole centres	Antique copper	Graphite
191 mm	160 mm	110.22.086	110.22.586
351 mm	320 mm	110.22.089	-

METROPOLIS pull handle

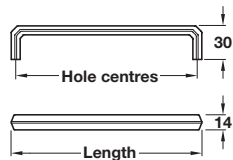


- > 2x M4 x 25 mm handle screws included
- > Grade 304 stainless steel
- > Order qty: 1 pc



Length	Hole centres	Satin
208 mm	192 mm	115.62.004
336 mm	320 mm	115.62.008
464 mm	448 mm	115.62.011

TARVOS pull handle

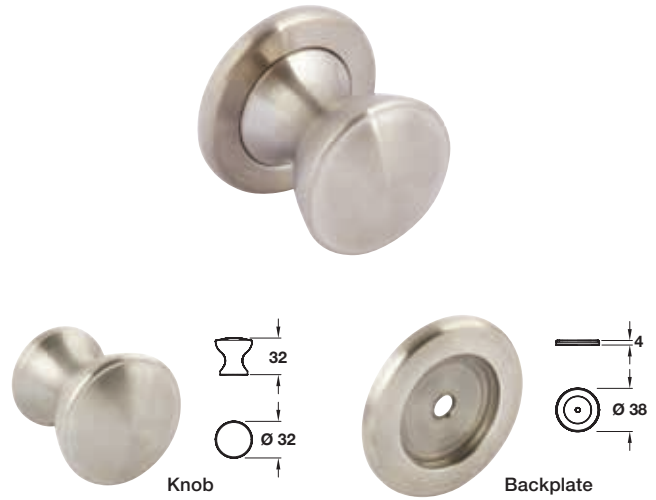


- > 2x M4 x 22 mm handles screws included
- > Zinc alloy
- > Order qty: 1 pc



Length	Hole centres	Graphite
136 mm	128 mm	113.96.120
168 mm	160 mm	113.96.121

METROPOLIS knob and backplate



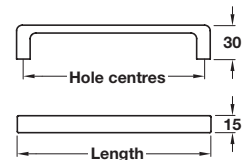
Use with or without backplate. Order backplate separately

- > 1x M4 x 25 mm handle screw included
- > Grade 303 stainless steel
- > Order qty: 1 pc



Item	Satin
Knob	132.94.030
Backplate	132.94.090

ENCANTO pull handle



- > 2x M4 x 22 mm handles screws included
- > Zinc alloy
- > Order qty: 1 pc



Length	Hole centres	Graphite
172 mm	160 mm	113.96.100
332 mm	320 mm	113.96.101

GRAF BIG knob

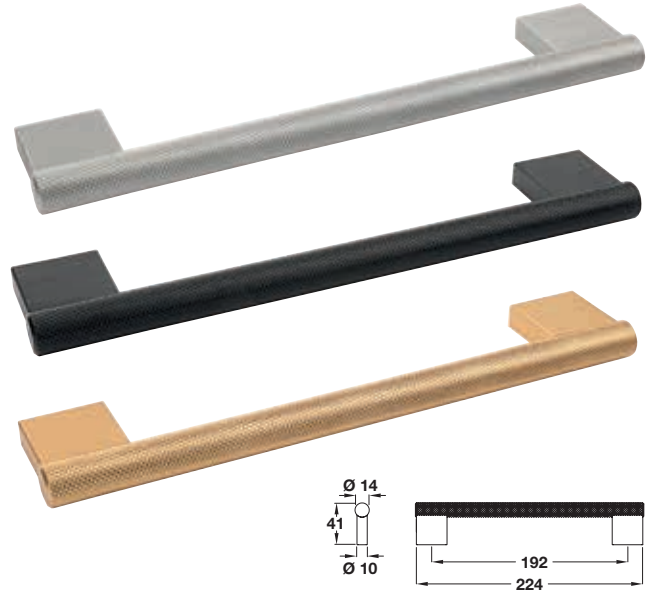


- > 1x M4 x 25 mm handle screw included
- > Aluminium
- > Order qty: 1 pc



Finish	Ø 50 mm
Stainless steel effect	106.66.105
Brushed black	106.66.103
Brushed dark brass	106.66.104

GRAF BIG bar handle

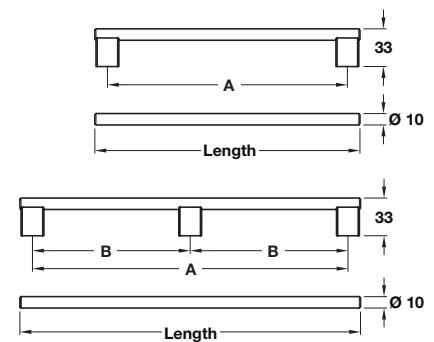
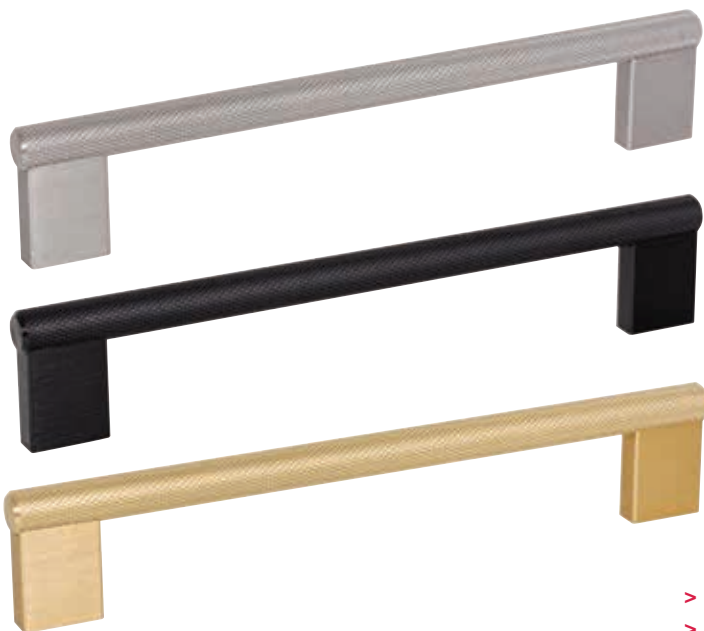


- > 2x M4 x 25 mm handle screw included
- > Aluminium
- > Order qty: 1 pc



Finish	Cat. No.
Stainless steel effect	106.66.112
Brushed black	106.66.110
Brushed dark brass	106.66.111

GRAF 2 bar handle

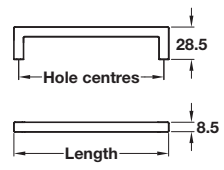


- > 2/3x M4 x 25 mm handle screw included
- > Aluminium
- > Order qty: 1 pc



Hole centres A	160 mm	256 mm	1178 mm
Hole centres B	-	-	589 mm
Length	182 mm	278 mm	1200 mm
Stainless steel effect	132.19.110	132.19.111	132.19.112
Black	132.19.115	132.19.116	132.19.117
Brushed dark brass	132.19.120	132.19.121	132.19.122

U pull handle

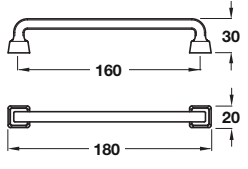


- > 2x M4 x 25 mm handle screws included
- > Zinc alloy
- > Order qty: 1 pc



Length	Hole centres	Cat. No.
Matt black		
136.5 mm	128 mm	108.66.385
200.5 mm	192 mm	108.66.397
328.5 mm	320 mm	108.66.386
500.5 mm	492 mm	108.66.387
Polished chrome		
136.5 mm	128 mm	108.66.285
200.5 mm	192 mm	108.66.380
328.5 mm	320 mm	108.66.286
500.5 mm	492 mm	108.66.287
Brushed brass		
136.5 mm	128 mm	108.66.388
200.5 mm	192 mm	108.66.389
328.5 mm	320 mm	108.66.390
500.5 mm	492 mm	108.66.391
Brushed copper		
136.5 mm	128 mm	108.66.376
200.5 mm	192 mm	108.66.377
328.5 mm	320 mm	108.66.378
500.5 mm	492 mm	108.66.379

BRERA D handle

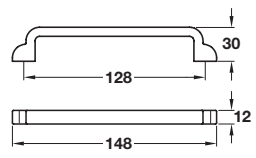


- > Order M4 handle screws separately
- > Zinc alloy
- > Order qty: 1 pc



Finish	Cat. No.
Satin nickel	110.22.274
Antique copper	110.22.275
Pewter	110.22.276

THEODORE D pull handle



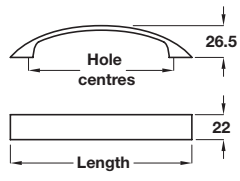
- > Order M4 handle screws separately
- > Zinc alloy
- > Order qty: 1 pc



Finish	Cat. No.
Antique brass	106.61.143
Antique tin	106.61.943
Oil rubbed bronze	106.61.043

INCLUSIVE LIVING 2023, © Häfele U.K. Ltd 2023. Dimensional data not binding. We reserve the right to alter specifications without notice.

LEWIS bow handle

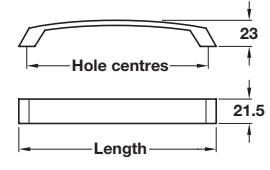


- > Order M4 handle screws separately
- > Zinc alloy
- > Order qty: 1 pc



Length	Hole centres	Stainless steel effect
160 mm	128 mm	107.72.602
193 mm	160 mm	107.72.603

TAVISTOCK bow handle



- > 2 each of M4 x 22 mm and M4 x 25 mm handle screws included
- > *2x M4 x 45 mm snap off handle screws included
- > Aluminium
- > Order qty: 1 pc



Length	Hole centres	Polished chrome	Stainless steel effect
174 mm	160 mm	109.53.226	109.53.626*

COMPLETE FURNITURE HANDLES RANGE

At Häfele we use our design experience, industry-leading contacts and furniture expertise to bring together a wide selection of decorative handles to offer you that finishing touch for your design.

See the full furniture handles range online at www.hafele.co.uk/handles.



INCLUSIVE LIVING 2023. © Häfele U.K. Ltd 2023. Dimensional data not binding. We reserve the right to alter specifications without notice.

GOLA PROFILES

For a handless design, Gola profile handles are designed to be mounted in the recess above or below the cabinet and create a streamlined look. For users with mobility challenges, these remove the potential for snagging and can make navigation easier than handles that project into the room.

The Gola range is also available in a variety of finishes including brushed brass and brushed copper which can not only enhance the kitchen design but also assist with the creation of colour contrasts.

Visit www.hafele.co.uk/gola to view the full range.

Inclusive Kitchens: Profiles for Handle Free Applications



INCLUSIVE LIVING 2023, © Häfele U.K. Ltd 2023. Dimensional data not binding. We reserve the right to alter specifications without notice.



YOUR HÄFELE GUIDE TO HANDLE FREE FURNITURE

Create handle free kitchens with the Gola profile for recess mounting for a streamlined look.

Discover the full range in our e-catalogue which includes seven finish options, horizontal and vertical fixings and co-ordinating plinths.

Visit www.hafele.co.uk/furniture-handles-directory
to view our Furniture Handles e-catalogue



LIGHTING

1

Inclusive Kitchens: Lighting and Electrical

Lighting can be used to effectively impact or reflect the mood or aesthetic of a particular space but is also crucial as part of inclusive or accessible design. Task lighting, and how a space is illuminated can make such a difference to the user and can support with making the difference between disability or independence, so whether using Häfele strip lighting, spot lighting or pendant lighting, as well as the luminescence, consider the impact on visual acuity, shadowing, and reflection, as well as the overall appearance.



INCLUSIVE LIVING 2023, © Häfele U.K. Ltd 2023. Dimensional data not binding. We reserve the right to alter specifications without notice.



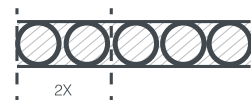
FOR TOTAL
ILLUMINATION,
SPEAK TO HÄFELE.

FREE Lighting Design Service

Discover our wide range of LED, fluorescent and halogen solutions in a range of styles including our Loox spot lights, Nimbus pendant lights and more. Need help specifying? Our FREE lighting design service could be your extra pair of hands when it comes to your lighting requirements.

Order online www.hafele.co.uk/lightingdesignservice
or contact us on **0800 171 2908** to discuss your requirements.

HÄFELE
LIGHTING
DESIGN




LOOX5 COMPATIBLE 24V LED 1350 FLEX SYSTEM

1

The Loox5 Flex system enables you to effortlessly create lighting designs that flex and bend around tight angles and corners without losing any light. The flex strip light is available as a stand-alone LED strip-light in two temperatures, warm and cool white, allowing you to free-style your lighting design needs, or for use with the special plinth, handle-free or AluSplash® profiles.

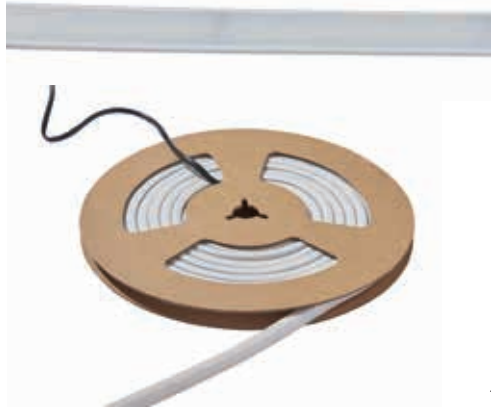
Inclusive Kitchens: Lighting and Electrical

- > Easy push fit install
- > For 6 mm deep groove, shelves remain adjustable
- > Shapes and curves are possible due to the light's flexibility (max. 30 mm radius)
- > 3018/5018 mm lengths can be split once: Both pieces with separate lead
- > For use with or without special profiles - for plinth, Gola handle-free system, or AluSplash®

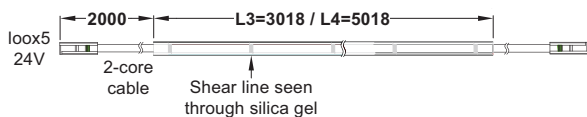
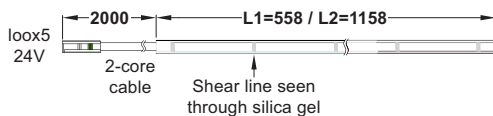
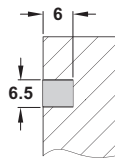
 For use with the Flex profiles shown on page 1.75











Loox5 Compatible 24V LED 1350 Flex strip light with silicone sleeve, 6 mm, IP44 rated




- > For recess mounting, push fit into 6.5 x 6 mm groove
- > Can be shortened every 50 mm
- > Voltage 24V. Wattage see table below
- > Dimmable
- > Degree of protection: IP44 (if cut, strip light needs to be sealed)
- > Bending radius: Max 30 mm
- > Max strip length 5 m
- > 144 diodes per meter
- > Width: 6.5 mm
- > 558/1158 mm lengths: With 2.0 m lead with Loox5 24V connector
- > 3018/5018 mm lengths: With 2.0 m lead on each end of strip light, with Loox5 24V connector
- > Order qty: 1 pc



Output:	3000 K	4000 K
Light colour:	Warm white	Cool white
Wattage (W/m):	9.6W per meter	
Energy efficiency:		
Number of diodes	144 per meter	
Light output (Lm/m):	626	629
Efficacy (Lm/W):	65	66
CRI Ra/ R9:	90 / >50	

					
Length	3000 K	4000 K			
558 mm	833.01.241	833.01.245			
1158 mm	833.01.242	833.01.246			
3018 mm	833.01.243	833.01.247			
5018 mm	833.01.244	833.01.248			

 Maximum strip length (visual) describes a strip section with a visually imperceptible drop in luminous flux of max. 30%. Please note: A strip section with a new power supply that follows immediately is noticeably brighter. Max. wattage-dependent strip length on the driver, see technical data for LED strip lights.

YOU ALSO NEED:

 **DRIVER**
View online

 **PROFILE**
1.75

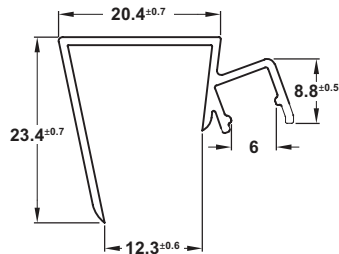
 **SWITCH**
View online

OPTIONAL ACCESSORIES
View online at www.hafele.co.uk/loox

Flex system plinth profile



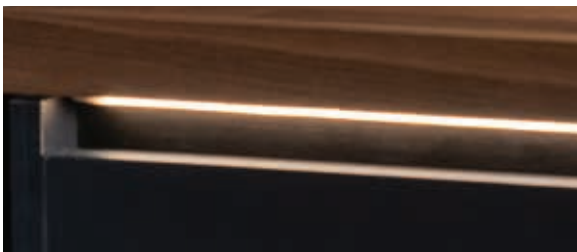
- > Push on plinth lighting, allowing for a continual flow of light around the kitchen
- > For use with Flex system light LED 1350
- > For installation on plinth panels 16-19 mm thick
- > Surface mounted - press fit, no pre-drilling or gluing required
- > Length: 1200 mm
- > Cut to fit
- > Plastic
- > Order qty: 1 pc



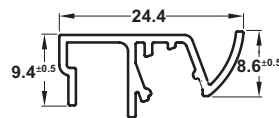
- > Order Flex light separately, shown on page 1.74
- > Order plinth separately, for more information visit www.hafele.co.uk

Finish	Cat. No.
Black	833.01.255
White	833.01.256

Flex system Gola profile



- > Simple push on fitting, for easy to install for Gola profile system
- > For use with Flex system light LED 1350
- > For installation on Gola profiles thick
- > Surface mounted - press fit, no pre-drilling or gluing required
- > Length: 1200 mm
- > Cut to fit
- > Plastic
- > Order qty: 1 pc



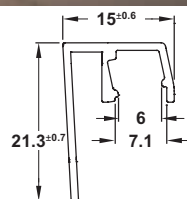
- > Order Flex light separately, shown on page 1.74
- > Order Gola system separately, see page 1.70

Finish	Cat. No.
Black	833.01.257
White	833.01.258

Flex system AluSplash profile



- > Angled profile directs light around the splashback and beyond a 650 mm worktop, eliminating dark corners
- > For use with Flex system light LED 1350
- > For installation on AluSplash® splashbacks
- > Surface mounted - press fit, no pre-drilling or gluing required
- > Length: 3050 mm
- > Cut to fit
- > Plastic
- > Order qty: 1 pc



- > Order Flex light separately, shown on page 1.74
- > Order splashback separately, for more information visit www.hafele.co.uk/alusplash

Finish	Cat. No.
Anthracite	833.01.259

SLIDING SYSTEMS FOR LIVING SPACES

1

Inclusive Kitchens: Sliding Systems

Traditional hung doors can sometimes be difficult to manoeuvre through, especially for wheelchair users, due to the back and forth movement required to open. Sliding doors can help to eliminate this challenge by sliding to create a completely clear opening – allowing for quick and easy access from room to room.

In addition to this, sliding and pocket door systems take up around 1270 mm less operating space per door and so can create more usable space as well as an unobstructed entrance.

Upgrading to an automated sliding door system can also offer many benefits for access with doors opening at the push of a button, remote control or motion sensor.

When specifying any sliding doors always be aware of where the track sits as this can create a threshold that will be difficult to pass over or be a potential trip hazard. Opting for a top track may eliminate this issue.

Types of sliding doors:

- > Internal sliding doors offer a versatile and space saving option
- > Pocket doors - with a pocket door, the door is top hung from a track, and so there is no threshold strip and nothing to obstruct smooth passage from one room to another
- > Bi-fold doors can be beneficial to provide large, obstruction free openings from room to room

Häfele supplies sliding door gear track and fittings as well as associated products such as locks and handles. We pride ourselves on supplying easy to install, competitive hardware which also offers various levels of functionality. We are even here to support you with our free Sliding Door Specification Service to help you make sure you specify the best solution for your project.

Visit www.hafele.co.uk/sliding-door-specification to view the full range.



INCLUSIVE LIVING 2023, © Häfele U.K. Ltd 2023. Dimensional data not binding. We reserve the right to alter specifications without notice.

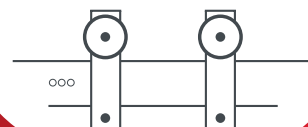


SLIDING DOOR SYSTEMS AND SPECIFICATION SERVICE

FREE Sliding Specification Service

At Häfele we have the largest range of sliding door gear in the UK as well as a FREE sliding specification service which makes specifying and ordering both quick and painless.

HÄFELE
SLIDING DOOR
SPECIFICATION



Order online www.hafele.co.uk/sliding-door-specification
or contact us on **0800 171 2908** to discuss your requirements.

SECTION 2 INCLUSIVE BATHROOMS

The bathroom is one of the most complex spaces for people with significant care needs and their personal assistants. It is also the space with the highest prevalence of falls and therefore requires careful design, both to meet the customer's needs and legislative requirements. Refer to BS8300 for design layout suggestions and remember that Doc M refers to the minimum requirement.

More than any other space in the home or workplace the bathroom design needs to reflect the individual's needs and use of the space. Consider aspects such as:

- > If the customer has a personal assistant, where do they need space to perform the tasks?
- > Is access to both sides of the toilet required, or does the customer transfer in a specific direction?
- > If the space is used by multiple people with different needs, for example, other family members, height adjusting fixtures might be needed to ensure the space is accessible for all
- > Consider how a person might grip rails and under what conditions to ensure they are truly beneficial
- > Avoid exposed heated pipework in case of falls. If using underfloor heating, ensure that it is accurately mapped in case future adaptations are required





INCLUSIVE BATHROOMS

HÄFELE QUALITY.

2

There are several situations which would require an inclusive bathroom:

1. Adapting an existing home for a wheelchair user, and making facilities 'wheel chair adaptable'
2. Adapting an existing dwelling or building a dwelling as new, and ensuring that facilities are 'wheelchair accessible'
3. Providing sanitary facilities as part of a non-dwelling building (leisure facility or public access space)

There are also situations that may not require a fully accessible bathroom, but user ability is greatly improved through design that enables maximum movement for users, and plans for the required future use of users.

Things to consider:

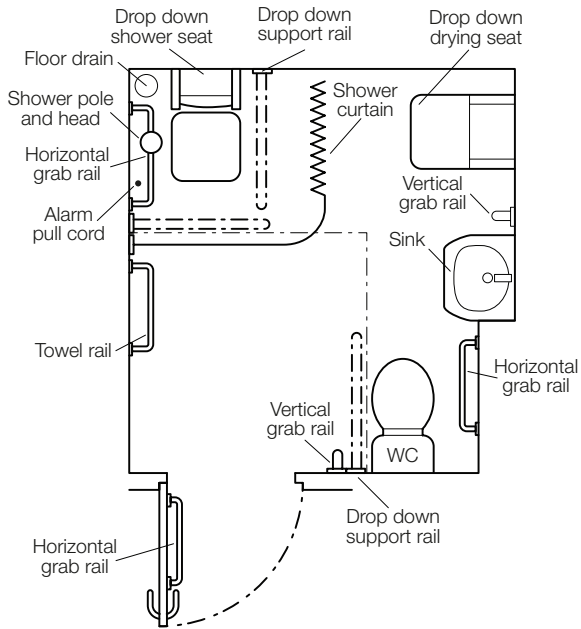
- > Does the room need to fulfil a purpose as a wet room?
- > Does the user require wheelchair access, now or in the future?
- > Is the room located near a main bedroom if it's to be used as a bathroom facility?
- > Which hand transfer is required?

Inclusive Bathrooms



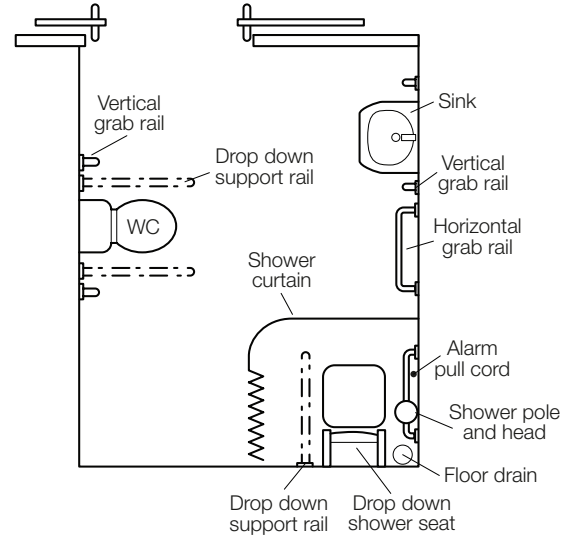
Fitzroy of London by Nymas - Image courtesy of Nymas

BATHROOM LAYOUTS SUGGESTED BY BS 8300



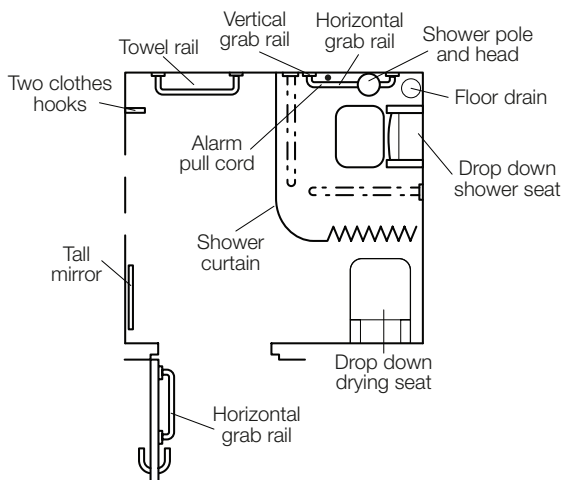
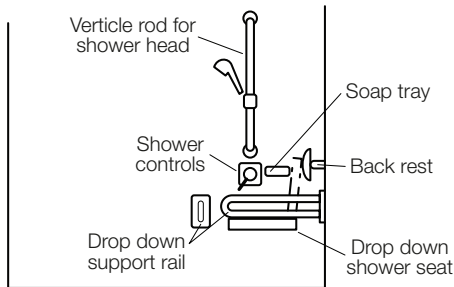
EN-SUITE SHOWER ROOM

> With corner WC for independent use



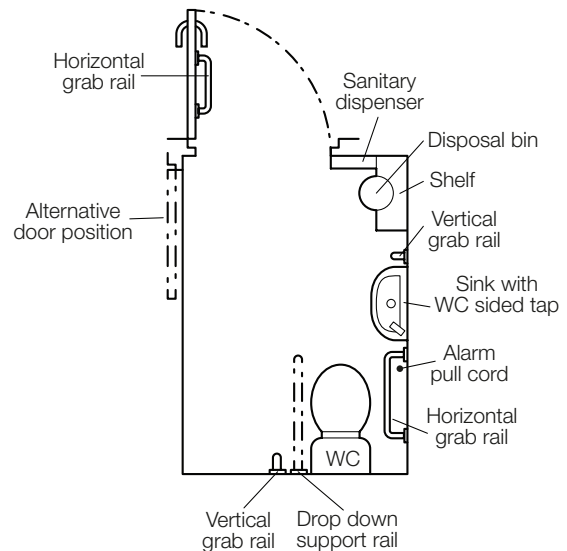
EN-SUITE SHOWER ROOM

> For use with a ceiling-mounted full room cover tracked hoist for assisted use



UNISEX SHOWER ROOM

> Self-contained for independent use



ACCESSIBLE CORNER WC

> Unisex

It is the responsibility of the owner of the building to ensure all relevant standards are met. The above is intended for guidance only and further advice should be sought before planning is complete

INCLUSIVE LIVING 2023. © Häfele U.K. Ltd 2023. Dimensional data not binding. We reserve the right to alter specifications without notice.

NYMAS DOC M TOILET AND RAIL PACK

Meets British Standard 8300 requirements. Complete sets for ensuring toilet facilities are accessible for all.

2

Inclusive Bathrooms: Sanitary Fittings

Nyma® PRO Close coupled Doc M pack toilet set



Dark grey RAL 7016 finish (mirror and bottle trap not included)



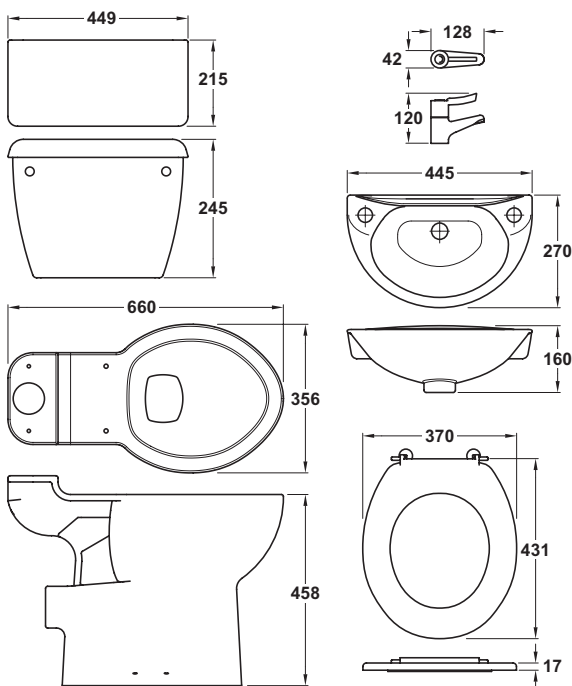
Dark blue RAL 5011 finish



White RAL 9016 finish



Grey RAL 7005 finish



- > Complies with Part M of building regulations
- > Contained in one box
- > WRAS approved
- > Universal - left or right handed
- > Consists of:
 - 5x Grab rails, 600 mm length, coated steel
 - 1x Hinged support rail with toilet roll holder, 800 mm length, coated steel
 - 1x Sequential basin mixer tap
 - 1x Close coupled Doc M pan
 - 1x Close coupled Doc M cistern
 - 1x Close coupled cistern fitting pack with basin waste and spatula lever
 - 1x Ring only toilet seat
 - 1x Two tap hole basin
- > Fixing bolts not included order separately (subject to structure materials)
- > Order qty: 1 set



- > Optional additions are also available on request:
 - TMV3 valve, lockable lid and push button for cistern
- > Please contact us for more information

Direct Delivered

2 Year Warranty



Finish	Cat. No.
Dark blue RAL 5011	983.84.301
Dark grey RAL 7016	983.84.302
Grey RAL 7005	983.84.303
White RAL 9016	983.84.304



Most of the products you will find in this catalogue are available within 24 hours. However, to be able to offer the breadth of range in our collection, a small number of products have a longer lead time that is typically around 14 days. Please call 0800 171 2909 for an accurate delivery date when you see this symbol.

Nyma® STYLE Close coupled Doc M pack toilet set



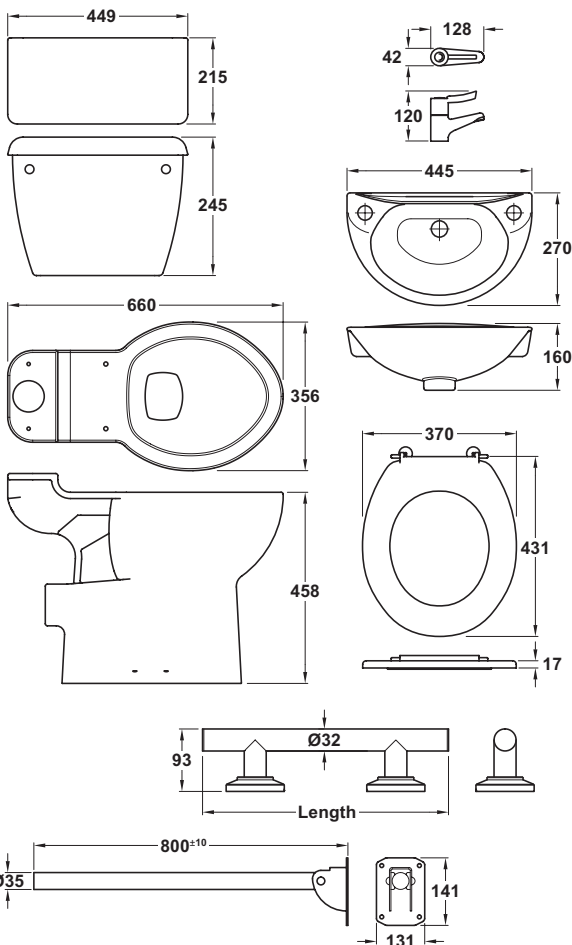
Polished finish (mirror and bottle trap not included)



Satin finish



Matt black finish



- > Complies with Part M of building regulations
- > Contained in one box
- > WRAS approved
- > Universal - left or right handed
- > Consists of:
 - 5x Grab rails, 620 mm length, non-corrosive stainless steel
 - 1x Grab rail, 480 mm length, non-corrosive stainless steel
 - 1x Hinged support rail with toilet roll holder, 800 mm length, non-corrosive stainless steel
 - 1x Sequential basin mixer tap
 - 1x Close coupled Doc M pan
 - 1x Close coupled Doc M cistern
 - 1x Close coupled cistern fitting pack with basin waste and spatula lever
 - 1x Ring only toilet seat
 - 1x Two tap hole basin
- > Fixing bolts not included order separately (subject to structure materials)
- > Order qty: 1 set



- > Optional additions are also available on request:
 - TMV3 valve, lockable lid and push button for cistern
- > Please contact us for more information



Finish	Cat. No.
Matt black	983.84.305
Polished	983.84.306
Satin	983.84.307



Most of the products you will find in this catalogue are available within 24 hours. However, to be able to offer the breadth of range in our collection, a small number of products have a longer lead time that is typically around 14 days. Please call 0800 171 2909 for an accurate delivery date when you see this symbol.

NYMAS DOC M RAIL ONLY PACKS

Meets British Standard 8300 requirements. Complete sets for ensuring toilet facilities are accessible for all.

2

Inclusive Bathrooms: Sanitary Fittings

Nyma® CARE Rail only Doc M pack toilet fittings set



Dark grey RAL 7016 finish

- > Complies with Part M of building regulations
- > Contained in one box
- > Concealed fixing
- > Consists of:
 - 4x Grab rails, 600 mm length
 - 1x Grab rail, 450 mm length
 - 1x Hinged support rail, 800 mm length
- > Non-corrosive stainless steel
- > Fixing bolts not included order separately (subject to structure materials)
- > Order qty: 1 set



Dark blue RAL 5011 finish



White RAL 9016 finish



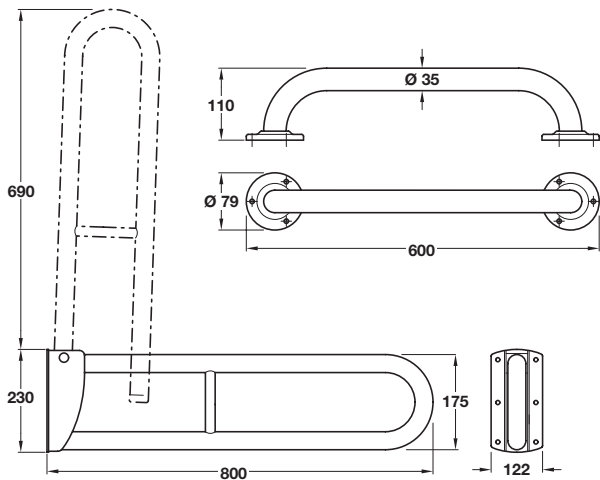
Grey RAL 7005 finish



Satin stainless steel finish



Polished stainless steel finish



Finish	Cat. No.
Dark blue	983.84.314
Dark grey	983.84.315
Grey	983.84.316
White	983.84.317
Satin stainless steel	983.84.318
Polished stainless steel	983.84.319



Most of the products you will find in this catalogue are available within 24 hours. However, to be able to offer the breadth of range in our collection, a small number of products have a longer lead time that is typically around 14 days. Please call 0800 171 2909 for an accurate delivery date when you see this symbol.

INCLUSIVE LIVING 2023, © Häfele U.K. Ltd 2023. Dimensional data not binding. We reserve the right to alter specifications without notice.

Nyma® STYLE Rail only Doc M pack toilet fittings set



- > Complies with Part M of building regulations
- > Contained in one box
- > Concealed fixing
- > Consists of:
 - 4x Grab rails, 620 mm length
 - 1x Grab rail, 480 mm length
 - 1x Hinged support rail, 800 mm length
- > Non-corrosive stainless steel
- > Fixing bolts not included order separately (subject to structure materials)
- > Order qty: 1 set

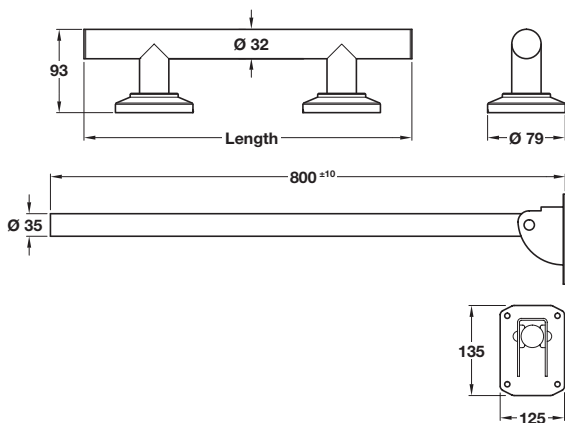
Matt black finish






Polished finish



Satin finish



Finish	Cat. No.
Matt black	983.84.310 
Polished	983.84.311 
Satin	983.84.312 



Most of the products you will find in this catalogue are available within 24 hours. However, to be able to offer the breadth of range in our collection, a small number of products have a longer lead time that is typically around 14 days. Please call 0800 171 2909 for an accurate delivery date when you see this symbol.

NYMAS TOILET FITTINGS

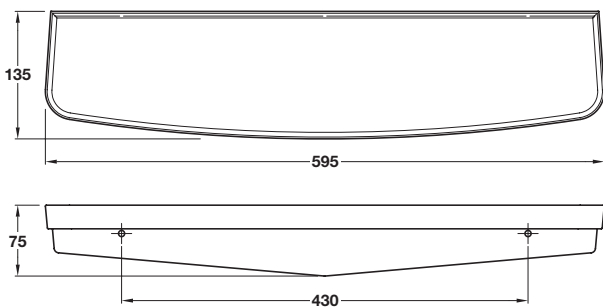
2

Inclusive Bathrooms: Sanitary Fittings

Nyma® PRO Anti bacterial Duraplast medical supply shelf



- > Complies with Part M of the building regulations
- > Anti microbial Duraplast construction
- > UV stabilised to prevent discolouration
- > Fixing bolts not included order separately
- > Order qty: 1 pc



Finish	Cat. No.
White RAL 9016	983.84.300



Fitzroy of London by Nymas - Image courtesy of Nymas

FITZROY OF LONDON - LUXURY, DESIGN LED FINISH

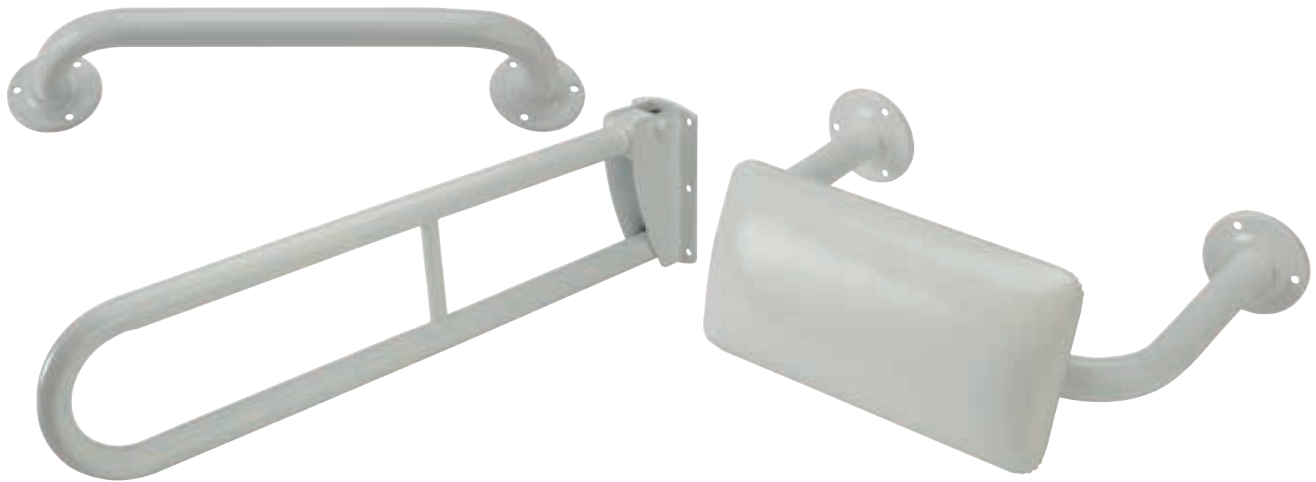
The Häfele Projects team are proud to work with Fitzroy of London to provide a luxury design for accessible bathrooms.

As experts in their field, Fitzroy of London's collections of bathroom fittings have been crafted to deliver elegant, classic and contemporary stylings to complement any surroundings, while offering maximum function.

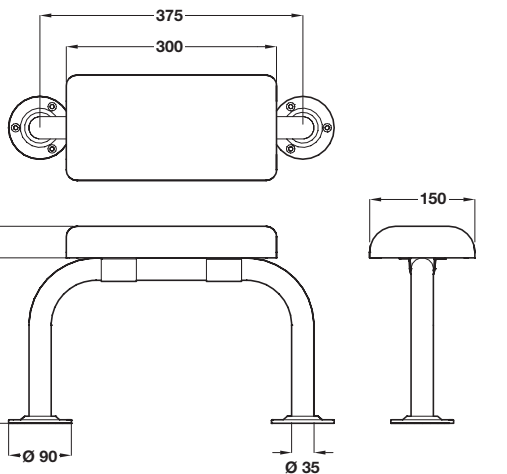
Get in touch with the team to discuss your project estimating@hafele.co.uk

NYMA PRO WHITE STEEL DOC M PACK

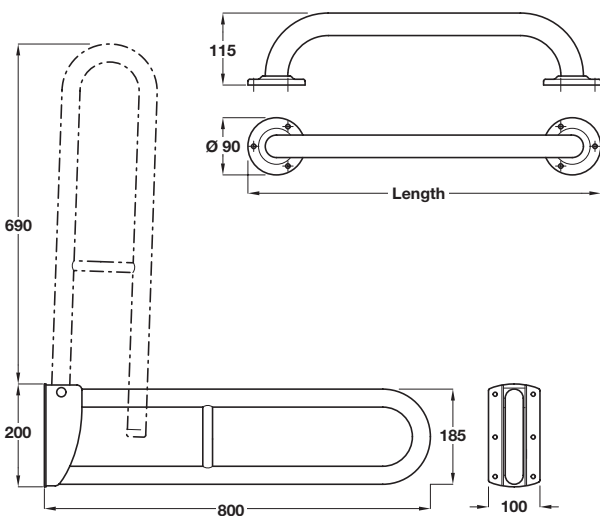
Meets British Standard 8300 requirements, includes grab rails, hinged support rail and back rest.



Nyma Pro Doc M pack toilet fittings set



- > Meets BS 8300: 2001 Pt M 2004 requirements
- > Contained in one box
- > Consists of:
 - 5x Grab rails, 600 mm length
 - 1x Hinged support rail
 - 1x Back rest rail with cushion
- > Epoxy powder coated steel
- > Fixing bolts not included order separately (subject to structure materials)
- > Order qty: 1 set



Grab rail length	White
600 mm	980.77.621 



Most of the products you will find in this catalogue are available within 24 hours. However, to be able to offer the breadth of range in our collection, a small number of products have a longer lead time that is typically around 14 days. Please call 0800 171 2909 for an accurate delivery date when you see this symbol.

INCLUSIVE LIVING 2023. © Häfele U.K. Ltd 2023. Dimensional data not binding. We reserve the right to alter specifications without notice.

NYMA® STYLE CONTEMPORARY GRAB RAILS

Style with compliance - a range of polished and matt black finished stainless steel grab rails for discerning customers, private homes or hotel projects

2

Inclusive Bathrooms: Sanitary Fittings

Nyma® STYLE straight grab rail



355 mm length,
polished stainless steel finish



355 mm length,
matt black (RAL 9005) finish

- > Suggested applications: Hotel, residential, hospital, care home, retirement village and commercial
- > Suitable for wet areas and outdoor areas
- > Max. rated load carrying capacity: 170 kg
- > Unique 2-part flange cover for ease of fixing
- > Compliant to Doc M
- > Nylon flange to eliminate need for earthing
- > Lifetime warranty (terms and conditions apply)
- > Stainless steel
- > Fixing bolts not included order separately
- > Order qty: 1 pc



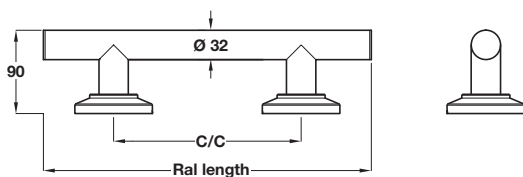
480 mm length



620 mm length



900 mm length



Rail length	C/C	Polished stainless steel	Matt black (RAL 9005)
355 mm	203 mm	980.78.621	980.77.641
480 mm	303 mm	980.78.623	980.77.642
620 mm	448 mm	980.78.625	980.77.643
900 mm	725 mm	980.78.627	-

Nyma® STYLE curved grab rail



355 mm length, polished stainless steel finish

355 mm length, matt black (RAL 9005) finish

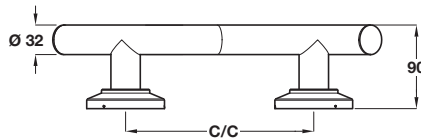
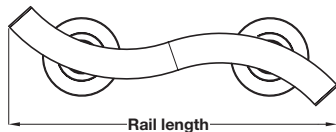
- > Suggested applications: Hotel, residential, hospital, care home, retirement village and commercial
- > Suitable for wet areas and outdoor areas
- > Max. rated load carrying capacity: 170 kg
- > Lifetime warranty (terms and conditions apply)
- > Stainless steel
- > Fixing bolts not included order separately
- > Order qty: 1 pc



480 mm length



620 mm length

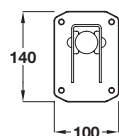
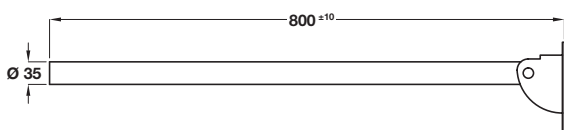


Rail length	C/C	Polished stainless steel	Matt black (RAL 9005)
355 mm	203 mm	980.78.631	980.77.645
480 mm	303 mm	980.78.633	980.77.646
620 mm	448 mm	-	980.77.647



Co-ordinating Nyma® Style shower seat shown on page 2.16

Nyma® STYLE hinged grab rail



- > Suggested applications: Hotel, residential, hospital, care home, retirement village and commercial
- > Suitable for wet areas
- > Max. rated load carrying capacity: 90 kg
- > Friction hinge eliminates lateral movement
- > Compliant to Doc M
- > Lifetime warranty (terms and conditions apply)
- > Grade 304 polished stainless steel
- > Fixing bolts not included order separately
- > Order qty: 1 pc



Length	Cat. No.
800 mm	980.77.638

INCLUSIVE LIVING 2023. © Häfele U.K. Ltd 2023. Dimensional data not binding. We reserve the right to alter specifications without notice.

NYMA CARE STAINLESS STEEL GRAB RAILS

A range of polished stainless steel grab rails made for high use public areas such as public amenities, hospitals and care homes. Range is durable, vandal resistant and anti-microbial.

2

Inclusive Bathrooms: Sanitary Fittings

Nyma Care straight grab rail

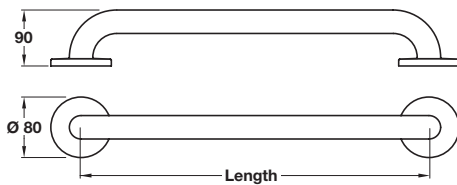


300 mm length shown, satin finish



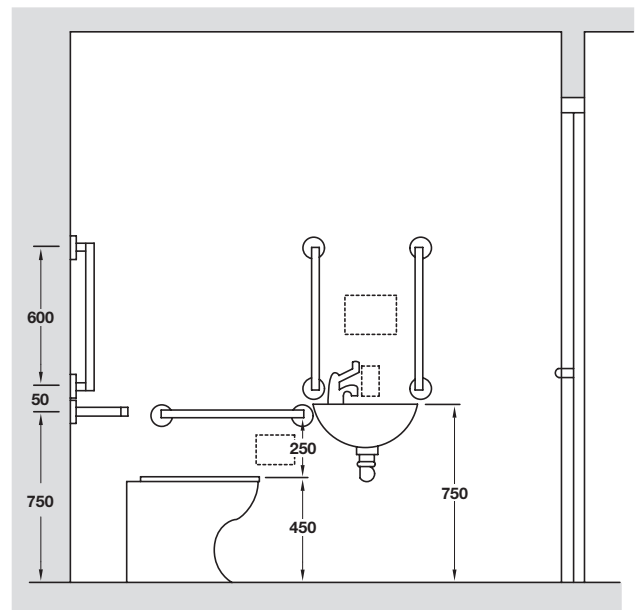
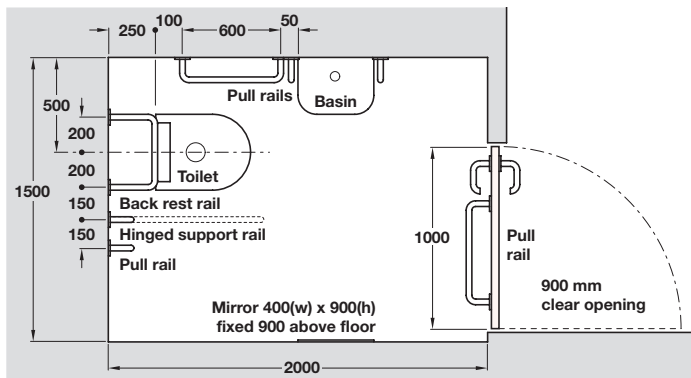
450 mm length shown, polished finish

- > Suitable for wet areas and outdoor areas
- > Ø 32 mm tube
- > Max. rated load carrying capacity: 170 kg
- > Profile flange to allow fixing to uneven surfaces
- > Concealed fixing
- > Meets Doc M regulations
- > Lifetime warranty (terms and conditions apply)
- > Grade 304 stainless steel
- > Fixing bolts not included order separately
- > Order qty: 1 pc



Length	Polished	Satin
300 mm	980.77.634	980.77.633
450 mm	980.77.613	980.77.611
600 mm	980.77.614	980.77.612

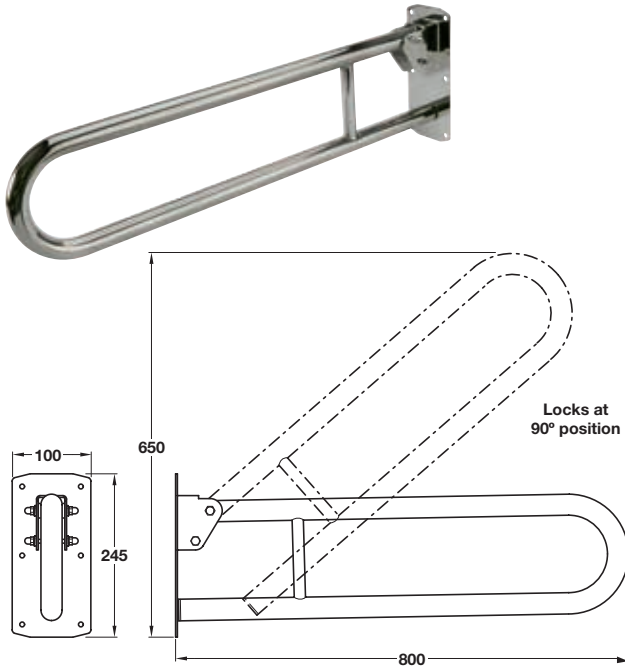
- > Typical disabled toilet layout that meets BS 5810: 1979 Part M requirements for new public and commercial buildings, new extensions and refurbishments.
- > Positions for paper holder, soap dispenser and towel dispenser are shown dotted (diagram right)



Most of the products you will find in this catalogue are available within 24 hours. However, to be able to offer the breadth of range in our collection, a small number of products have a longer lead time that is typically around 14 days. Please call 0800 171 2909 for an accurate delivery date when you see this symbol.

INCLUSIVE LIVING 2023, © Häfele U.K. Ltd 2023. Dimensional data not binding. We reserve the right to alter specifications without notice.

Nyma Care hinged support rail



- > Ø 32 mm tube
- > Max. rated load carrying capacity: 135 kg
- > Meets Doc M regulations
- > Lift and lock folding mechanism
- > Lifetime warranty (terms and conditions apply)
- > Stainless steel
- > Fixing bolts not included order separately
- > Order qty: 1 pc

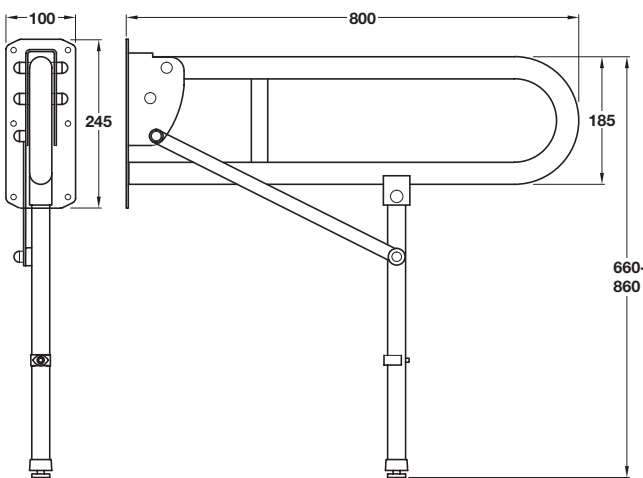


Length	Polished	Satin
800 mm	980.77.603	980.77.604

Nyma Care hinged support rail with leg



- > Suitable for wet areas
- > Ø 32 mm tube
- > Max. rated load carrying capacity: 135 kg
- > Meets Doc M regulations
- > Lift and lock folding mechanism
- > Adjustable support leg for extra strength with 25 mm increments and fine adjustment using threaded foot
- > Lifetime warranty (terms and conditions apply)
- > Stainless steel
- > Fixing bolts not included order separately
- > Order qty: 1 pc



Length	Polished	Satin
800 mm	980.77.637	980.77.636

INCLUSIVE LIVING 2023. © Häfele U.K. Ltd 2023. Dimensional data not binding. We reserve the right to alter specifications without notice.



Most of the products you will find in this catalogue are available within 24 hours. However, to be able to offer the breadth of range in our collection, a small number of products have a longer lead time that is typically around 14 days. Please call 0800 171 2909 for an accurate delivery date when you see this symbol.

NYMA PRO WHITE STEEL GRAB RAILS

A range of white steel grab rails - a simple and cost effective solution for home adaptations, residential care, private or commercial use that is also durable.

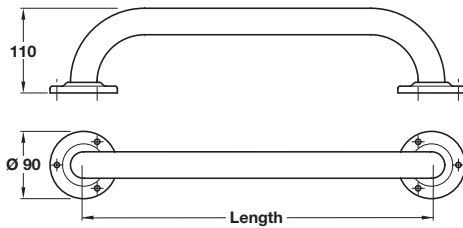
2

Inclusive Bathrooms: Sanitary Fittings

Nyma Pro straight grab rail



- > Available in 2 lengths
- > Ø 35 mm tube
- > Max. rated load carrying capacity: 150 kg
- > Doc M compliant
- > Profile flange to allow fixing to uneven surfaces
- > White epoxy coated steel
- > Fixing bolts not included order separately
- > Order qty: 1 pc



1 Year Warranty

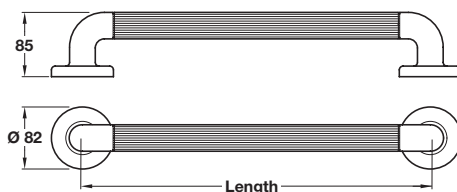
FIXINGS REQUIRED

Length	White
455 mm	980.77.607
610 mm	980.77.608

Nyma Pro straight grab rail with fluted grip



- > Suitable for wet areas
- > Ø 36 mm tube
- > Max. rated load carrying capacity: 130 kg
- > Fluted to give user positive grip particularly in wet environments
- > UV stabilised to prevent discolouration
- > Concealed fixing
- > White ABS plastic
- > Fixing bolts not included order separately
- > Order qty: 1 pc



1 Year Warranty

FIXINGS REQUIRED

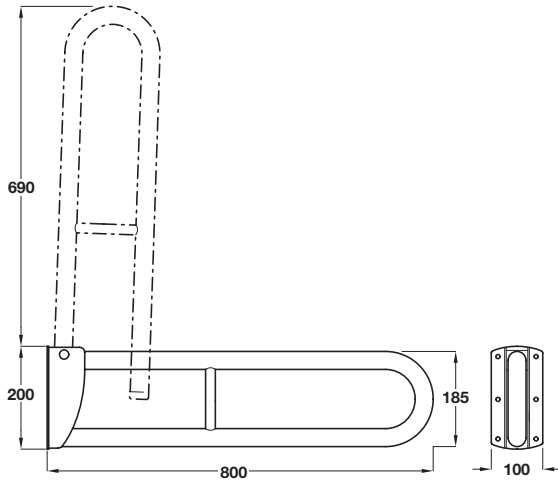
Length	White
305 mm	980.77.630
460 mm	980.77.631
610 mm	980.77.615

INCLUSIVE LIVING 2023, © Häfele U.K. Ltd 2023. Dimensional data not binding. We reserve the right to alter specifications without notice.

Nyma Pro hinged support rail



- > Ø 35 mm tube
- > Max. rated load carrying capacity: 114 kg
- > Meets Doc M regulations
- > Lift and lock folding mechanism
- > Steel
- > Fixing bolts not included order separately
- > Order qty: 1 pc

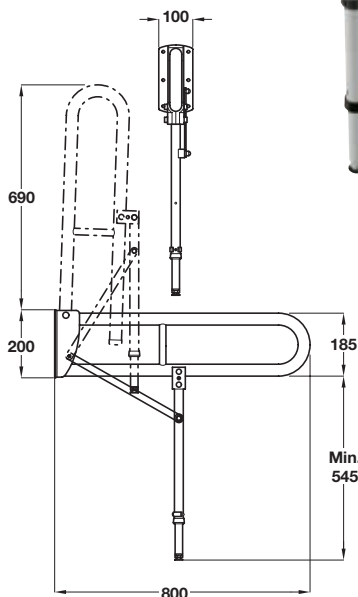


Length	White
800 mm	980.77.601

Nyma Pro hinged support rail with leg



- > Ø 35 mm tube
- > Max. rated load carrying capacity: 200 kg
- > Meets Doc M regulations
- > Folds away neatly when not in use
- > Lift and lock folding mechanism
- > Adjustable height leg provides additional support and stability
- > Fine adjustment screw on leg
- > Steel
- > Fixing bolts not included order separately
- > Order qty: 1 pc



Length	White
800 mm	980.77.605

INCLUSIVE LIVING 2023. © Häfele U.K. Ltd 2023. Dimensional data not binding. We reserve the right to alter specifications without notice.

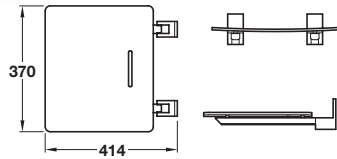
NYMAS SHOWER SEATS

A range of shower seats with or without legs in two designs.

2

Inclusive Bathrooms: Sanitary Fittings

Nyma® STYLE slimline contemporary shower seat



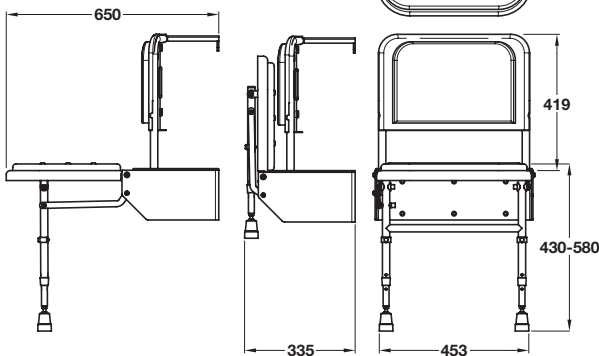
- > Suitable for wet areas
- > Max. rated load carrying capacity: 100 kg
- > Foldable with lift and lock mechanism
- > Brushed aluminium wall mounting system
- > Fixing bolts not included order separately
- > Order qty: 1 pc



Use with Nyma® STYLE or Nyma® CARE ranges shown on pages **2.10-13**

Finish	Cat. No.
Black	983.84.308
White	983.84.309

Nyma® CARE/PRO Doc M foldaway shower seat with legs



- > Max. rated load carrying capacity: 250 kg
- > Height adjustable in 25 mm increments, including fine adjustments using threaded feet
- > Extended projection to enable easy transfer
- > Projection from wall when folded: 335 mm
- > Closed cell polyurethane pads for maximum hygiene and comfort
- > Non-corrosive aluminium and stainless steel frame
- > Fixing bolts not included order separately (subject to structure materials)
- > Order qty: 1 pc



Use with Nyma® STYLE or Nyma® CARE ranges shown on pages **2.10-13**

Finish	Cat. No.
Black RAL 9005	983.84.313



Most of the products you will find in this catalogue are available within 24 hours. However, to be able to offer the breadth of range in our collection, a small number of products have a longer lead time that is typically around 14 days. Please call 0800 171 2909 for an accurate delivery date when you see this symbol.

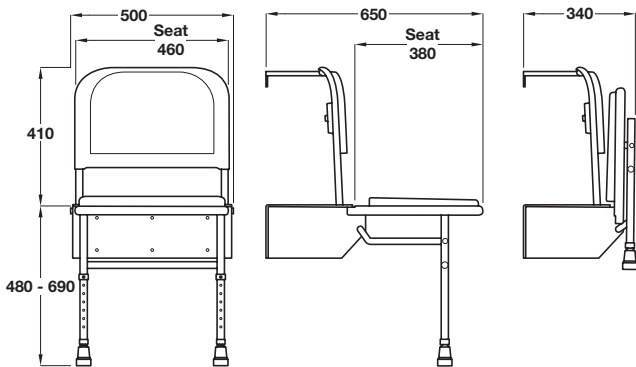
NYMA WHITE DOC M SHOWER SEAT

This extra projection shower seat for easy transfer from wheelchairs meets Doc M requirements.

Doc M shower seat with legs



- > Suitable for wet areas
- > Extra projection shower seat for easy transfer from wheelchairs
- > Max. rated load carrying capacity: 172 kg
- > Meets Doc M requirements
- > Aluminium
- > Fixing bolts not included, order separately (subject to structure materials)
- > Order qty: 1 pc



INCLUSIVE LIVING 2023. © Häfele U.K. Ltd 2023. Dimensional data not binding. We reserve the right to alter specifications without notice.



Height adjustable with E-clip in 25mm increments and thread for further fine adjustment



Finish	Grey
Cat. No.	980.77.635

NYMA SHOWER SEATS

A foldaway shower seat with legs.

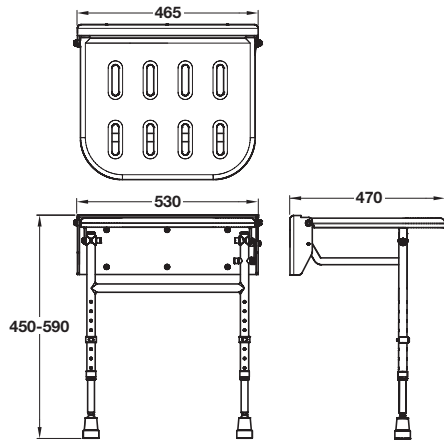
Nyma Care/Pro foldaway shower seat with legs

2

Inclusive Bathrooms: Sanitary Fittings



- > Max. rated load carrying capacity: 190 kg
- > Height adjustable in 25 mm increments, including fine adjustments using threaded feet
- > Projection from wall when folded: 124 mm
- > Sturdy white epoxy coated aluminium frame
- > Clip on plastic moulded seat
- > Fixing bolts not included order separately
- > Order qty: 1 pc



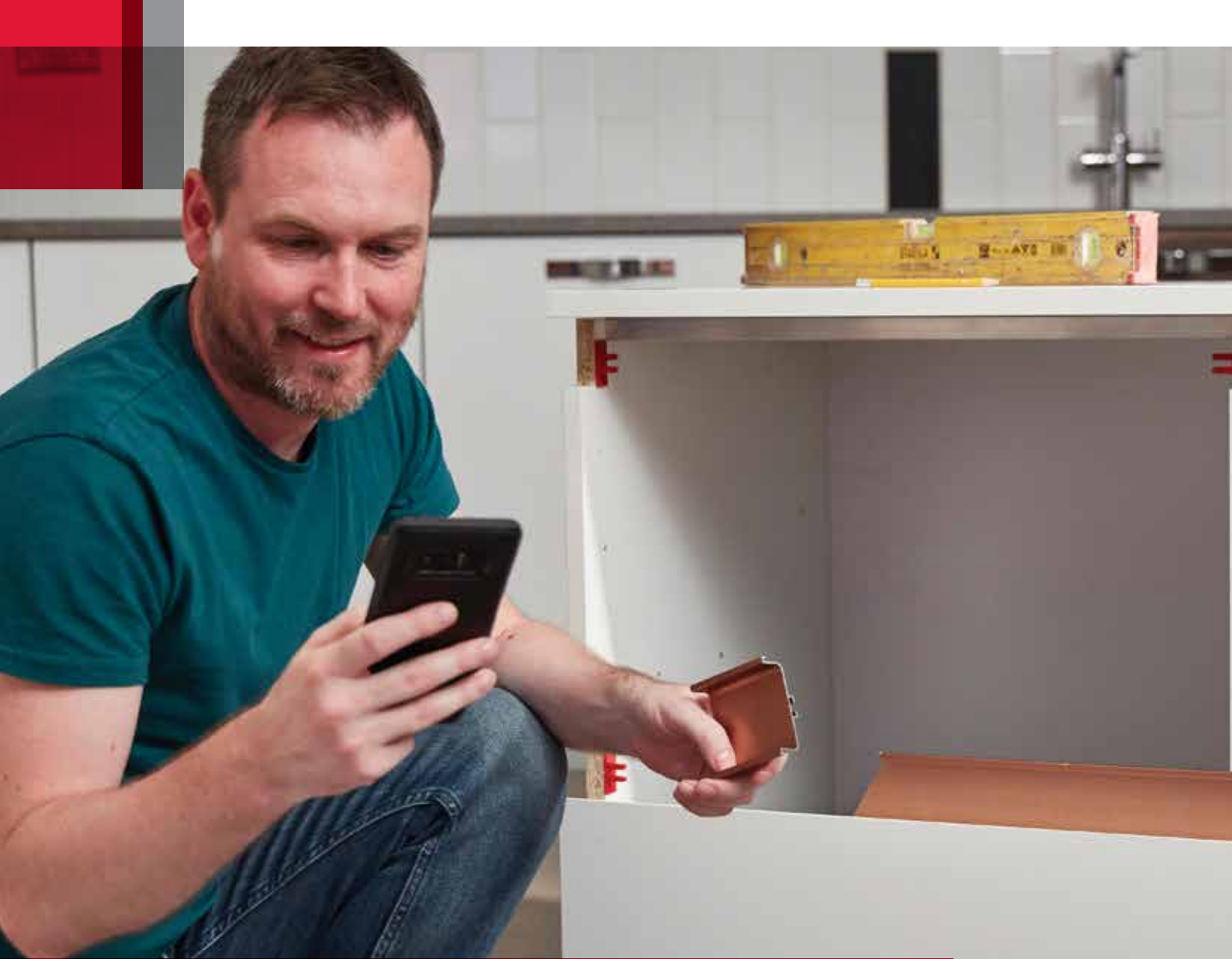
Finish	Cat. No.
White	980.77.629



HÄFELE PROJECTS 360°

A broad range of project services

Our dedicated team of DipGAI qualified specialists can help turn projects into a reality with a comprehensive portfolio of products – from architectural ironmongery and sliding systems, to access control and security hardware to name a few.



WHEN YOU NEED IT MADE-TO-ORDER, SPEAK TO HÄFELE

You Specify. We Deliver.

Save time, cut costs and avoid mistakes with Häfele to Order, our bespoke manufacturing service which allows you to specify products to the exact size, quantity and finish you require*.

Contact us for a quote on cut lengths, assembled light bars, ready to install drawers and worktops, and bespoke packed sets.

*Additional charges applicable to the Häfele to Order Service. T&Cs apply.



Order online www.hafele.co.uk/hafele-to-order
or contact us by phone **0800 171 2916** or email hafeletoorder@hafele.co.uk
to discuss your requirements.

Subject to lead time.
Delivery terms apply see www.hafele.co.uk/delivery for information.

ROPOX ELECTRIC HEIGHT ADJUSTABLE WASHBASIN FOR ACCESSIBLE LIVING

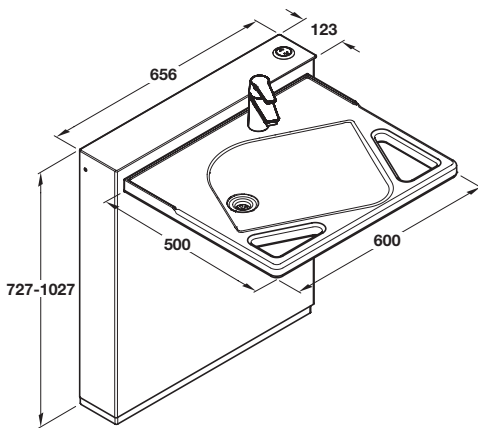
Height adjustable washbasin, electric adjustment by 300 mm.

- > Electrically height adjustable washbasin
- > Push button height adjustment with hidden plumbing
- > 300 mm height adjustment
- > Control switch can be placed on the left or right side of the washbasin to suit your individual needs
- > Cost effective adjustment by carers in Care Homes, Sheltered Housing or at home
- > Basin designed with the help of Occupational Therapists to give hand holds which act as arm supports when sitting at the basin. A slow gradient allows hands to slide to the shallow



2
Inclusive Bathrooms: Ropox

Electric height adjustable washbasin



- > Height adjustable unit
- > Consists of: Electric height adjustable unit, basin, polished chrome monobloc mixer tap and plumbing kit
- > Electric height adjustment between 300 mm
- > Load carrying capacity 200 kg
- > Aluminium, steel, plastic and porcelain
- > Order qty: 1 pc



Finish	Cat. No.
White	588.49.050



Most of the products you will find in this catalogue are available within 24 hours. However, to be able to offer the breadth of range in our collection, a small number of products have a longer lead time that is typically around 14 days. Please call 0800 171 2909 for an accurate delivery date when you see this symbol.

STANDARDS

Understand more about the UK standards and legislations surrounding inclusive living with the summaries on the following page - including the Equality Act, Approved Document M and BS 8300-2:2018.

BS 8300-2:2018 - Architectural Hardware Product Specification

Häfele Projects Team can advise on the most suitable products in order to meet the best practice guidelines for accessibility as set out in BS 8300-2 as consideration is important when specifying the following door set items:

Door Furniture (lever handles & pull handles) in relation to visual contrast or light reflectance values (LRV's) aswell as dimensional, design and fixing height recommendations.

- > 95 mm hand grip zone as minimum
- > 45 mm clear space from face of door to underside of handle
- > Ø19 mm minimum lever or pull handle section
- > Lever design should be either "return to door" or have an upturn
- > Fixing heights: for levers between 800mm to 1050mm from floor level
- > Pull handles should not be fitted to the "push" side of doors (i.e. back to back)

Lock and Latches – considerations for larger keys and thumbturns or to specify access control systems where possible for ease of passage.

- > It should be possible to operate all door opening furniture one-handed without the need to grasp or twist. Wherever possible door furniture used in conjunction with locks or latches should have lever action.





The Equality Act 2010



The Equality Act 2010 was introduced to help ensure businesses treat everyone fairly. It protects anyone who is disabled, is thought to be disabled, or is with someone who is disabled. It gives these people rights to access goods or services in a way that means they are not treated less favourably than people without a disability.

The Act outlines that any business that provides goods or services must make 'reasonable adjustments' to ensure anyone can access their services. This includes providing 'reasonable access' to services - for example, ensuring you have accessible bathrooms if you run a hotel or guesthouse.

For more information and guidance visit:

www.gov.uk/guidance/equality-act-2010-guidance

BS8300:2009 - Design of Buildings

British Standard BS3800 defines an accessible environment as one in which a disabled person can enter and make use of independently or with help from a partner or assistant, including being able to escape in the event of fire or other emergency.

This standard covers a wide range of disabilities and the use of the built environment by disabled people who can be residents, visitors, spectators, customers, employees, holders of public office, or participants in sports events, performances and conferences. This includes guidance on design, construction, and maintenance.

The standard covers such topics as the development of the inclusive design strategy as well as building layouts, access routes, vertical and horizontal movement, lighting, finishes and sanitary facilities and individual rooms.

Approved Document M

Approved Document M is a building regulation in England created to ensure that people are able to access and use buildings and their facilities.

This document provides information about the ease of access to, and use of, buildings, (including facilities for disabled visitors or occupants), and the ability to move through a building easily including to toilets and bathrooms.

Guidance covers for example external thresholds and parking as well as internal features such as stair widths, access zones in bedrooms, and mounting heights for basins and rails.

For more information visit:

www.gov.uk/government/publications/access-to-and-use-of-buildings-approved-document-m

© Häfele UK 2023

No part of this catalogue may be reproduced,
photocopied or stored in any data retrieval
system without written permission.

HÄFELE

11/2023-HÄFELE INCLUSIVE LIVING DIRECTORY 2023 ISSUE 1

Häfele UK Ltd | Swift Valley Industrial Estate | Rugby | Warwickshire | CV21 1RD | Registered in England No. 1486136

Phone: 0800 171 2909 | **Fax:** 01788 544440 | **Email:** info@hafele.co.uk | **Technical:** 0800 171 2908

www.hafele.co.uk