



## THE COMPLETE HÄFELE 24/7

Visit our website to view our full literature library. Here you can order the latest Häfele UK literature or browse the most up to date versions straight on your screen at [www.hafele.co.uk/literature-library](http://www.hafele.co.uk/literature-library)

For ease of use, we have separated our Complete Häfele for Technology, volume 2 into mini directories that will be updated more frequently.

You can still access all three editions of The Complete Häfele as individual catalogues within our literature library.



### THE COMPLETE HÄFELE FURNITURE FITTINGS DESIGN



SECTION 1 - Kitchen Fittings and Accessories



SECTION 2 - Bedroom Fittings and Accessories



SECTION 3 - Bathroom Fittings and Accessories



SECTION 4 - Furniture Handles and Profiles for Handle Free Applications



SECTION 5 - Lighting



SECTION 6 - Electrical



### THE COMPLETE HÄFELE FURNITURE FITTINGS TECHNOLOGY



SECTION 7 - Connecting Fittings, Shelf Supports and Brackets



SECTION 8 - Cabinet Locks, Catches and Bolts



SECTION 9 - Furniture Hinges and Flap Fittings



SECTION 10 - Drawer Side Systems, Drawers and Runners



SECTION 11 - Castors, Feet, Legs and Table Fittings



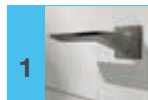
SECTION 12 - Office Furniture Fittings and Accessories



SECTION 13 - Fixing Materials and Consumables



### THE COMPLETE HÄFELE ARCHITECTURAL HARDWARE



SECTION 1 - Door Handles



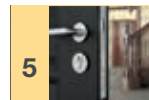
SECTION 2 - Door Accessories



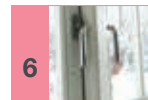
SECTION 3 - Door Hinges



SECTION 4 - Door Closers and Controls



SECTION 5 - Door Locking and Security



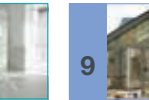
SECTION 6 - Window Fittings



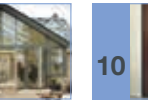
SECTION 7 - Glass Door and Shower Fittings



SECTION 8 - Sanitary Hardware and Shopfitting Systems



SECTION 9 - Sliding Door Gear for Architectural Applications



SECTION 10 - Sliding Door Gear for Cabinet and Furniture Applications



SECTION 11 - Sliding Door Gear for Special Order Systems for Commercial Applications

## ORDERING MADE EASY

FREE\* NEXT DAY DELIVERY  
ON ORDERS OVER £50

- > **ORDERING** – over the phone or online, we process your order quickly and efficiently
- > **DELIVERIES** – next day delivery as standard, for orders up to 5.30pm\*
- > **RETURNS AND AFTERSALES** – easy returns process with 0% handling fee\*

\*T&Cs apply



ORDER UP TO 5.30PM FOR **FREE\*** NEXT DAY DELIVERY

T&Cs apply



**ONLINE**

[www.hafele.co.uk](http://www.hafele.co.uk)



**FREEPHONE**

**0800 171 2909**



**YOUR ACCOUNT**

[www.hafele.co.uk/myhafele](http://www.hafele.co.uk/myhafele)

IF YOUR PURCHASE ISN'T RIGHT, YOU CAN NOW MANAGE YOUR RETURN QUICKLY AND EASILY ONLINE OR THROUGH YOUR ACCOUNT AT

[WWW.HAFELE.CO.UK/MYHAFELE](http://WWW.HAFELE.CO.UK/MYHAFELE)

**0% HANDLING FEE ON RETURNS\***

# OFFICE FURNITURE FITTINGS AND ACCESSORIES **DIRECTORY 2022**



12



## INTRODUCING OUR LATEST RANGE OF **OFFICE FURNITURE AND FITTINGS**

At Häfele, we offer a comprehensive range of office furniture and fittings including desk frames, filing systems, cable management and a whole host of desk fittings and accessories. We are constantly upgrading our product offering with the latest of product innovations, and as such have decided to create a mini-directory for you to browse our updated range of office furniture fittings and accessories within an easy to navigate guide.

All of our products within this directory have been selected to provide you with the freedom and flexibility to meet individual requirements and ensure your workforce are in a comfortable environment, both when working from home and when in the office. Once you've finished creating the ultimate office desk, don't forget to apply the finishing touches to keep those cables neat and tidy with our cable management products and organising space with our wide range of storage solutions.

View our entire range of products online at [www.häfele.co.uk](http://www.häfele.co.uk)



# CONTENTS

## OFFICE FURNITURE FITTINGS AND ACCESSORIES

### KEY TO LOGOS



Häfele lifetime guarantee- Denotes the length of guarantee

Please see the information online for further details on the Häfele lifetime guarantee



**Fixing screws are included**



**Fixing required** - Denotes the size and type of fixings required. We recommend Hospa screws



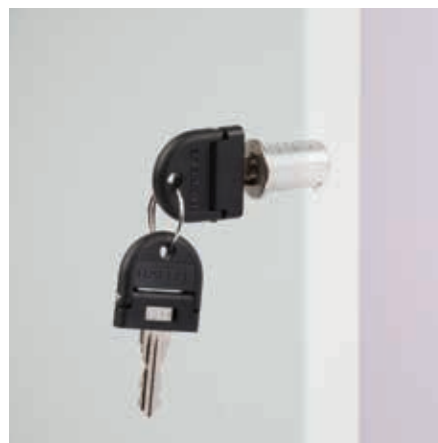
**Soft closing**



**Runner extension** - Denotes the length of runner extension



**Tested cycles** - Denotes how many cycles the product has been tested to



#### Desk Fittings

PAGE

4

Desk frames and legs  
Cable management  
Desk accessories

#### Storage & Organisation

PAGE

74

Drawer systems  
Filing systems  
Shelving systems

#### Locking Systems

PAGE

110

Symo system  
Central locking systems



The background of the entire page is a photograph of a modern office workstation. It features a long, light-colored wooden desk with a white metal frame. On the desk, there are two large black Dell monitors on stands, a keyboard, and a mouse. A black office chair with a mesh back and a beige seat is positioned in front of the desk. A modern desk lamp with a white frame and a long, adjustable arm is mounted above the desk. The workstation is situated in a bright office environment with large windows in the background showing a cityscape. The overall aesthetic is clean, professional, and functional.

# OFFICYS OFFICE FURNITURE COMPONENTS

## **Vast range of office components and accessories**

The Officys range of German manufactured office furniture components and accessories is ideal for both domestic and commercial applications and gives flexibility to adapt workspaces to meet individual requirements. The range includes desk fittings and accessories, desk frames, cabinet filing frames, locks and cylinders and more.

# DESK FITTINGS



Here you will find everything you need to create the ultimate office desk. Create a height adjustable desk using our high-quality frames or go for a more traditional desk with our desk legs, joints and connecting plates, along with the fixing materials to fix it all together. Don't forget to apply the finishing touch and keep those cables neat and tidy with our cable management products.







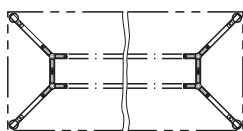
# IDEA DESKING SYSTEM

A table base product range featuring rigid table legs and bases, and versions with electric height adjustment facility.

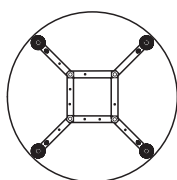
- > Flexible application provided by intervals of 200 mm
- > With a wide range of accessories
- > Meeting ergonomic requirements in the best possible way

## IDEA 300 and 400 table/frame design

Table design



Rectangular/square



Round

Frame design

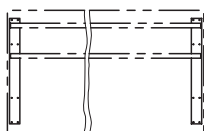


12

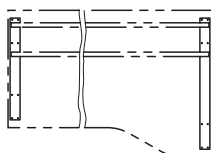
Office Furniture Fittings: Desk Fittings

## IDEA+ table/frame design

Table design

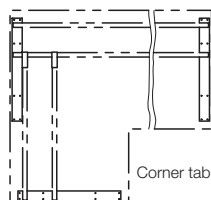


Rectangular/square



Freeform

Frame design



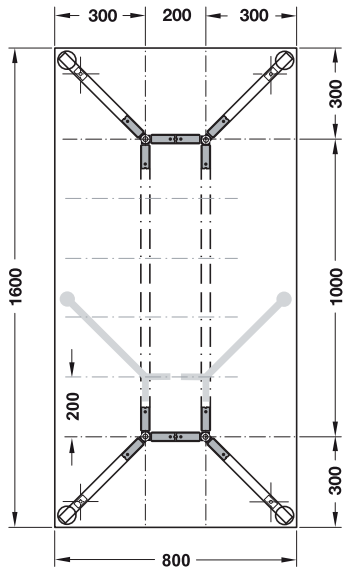
Corner table 90°



## Frame length calculation (frame type) of individually designed table shapes

### Basic principle: Rectangular table

Example: Table depth 800 mm, table length 1,600 mm



#### Formula for longitudinal frame length; table length 1,600 mm

Table length 1,600 mm minus 2 x 300 mm	1,600 mm - 600 mm
<b>= frame type</b>	<b>= frame type 1000</b>

#### Formula for lateral frame length; table width 800 mm

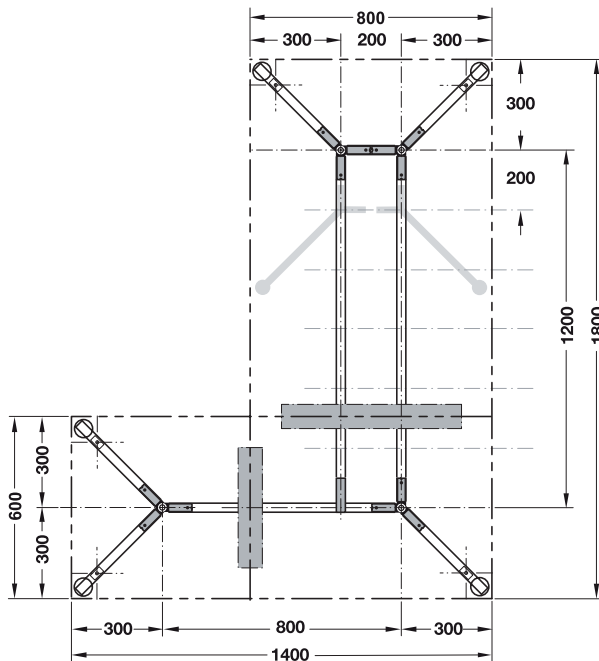
Table depth 800 mm minus 2 x 300 mm	800 mm - 600 mm
<b>= frame type</b>	<b>= frame type 200</b>

#### The following are required:

- > 2 Frames – type 1000
- > 2 Frames – type 200
- > 4 Y-joints, 90°, fixed
- > 4 Idea 300 table legs (design as required)
- > 1 Set of fixing material

### Different table depths: Corner table 90°

Example: Table depth 800/600 mm, table length 1,800/1,400 mm



#### Formula for longitudinal frame length; table length 1,800 mm

Table length 1,800 mm minus 2 x 300 mm	1,800 mm - 600 mm
<b>= frame type</b>	<b>= frame type 1200</b>

#### Formula for lateral frame length; table depth 800 mm

Table depth 800 mm minus 2 x 300 mm	800 mm - 600 mm
<b>= frame type</b>	<b>= frame type 200</b>

#### Formula for longitudinal frame length; table length 1,400 mm

Table length 1,400 mm minus 2 x 300 mm	1,400 mm - 600 mm
<b>= frame type</b>	<b>= frame type 800</b>

#### Formula for lateral frame length; table depth 600 mm

Not applicable for this example

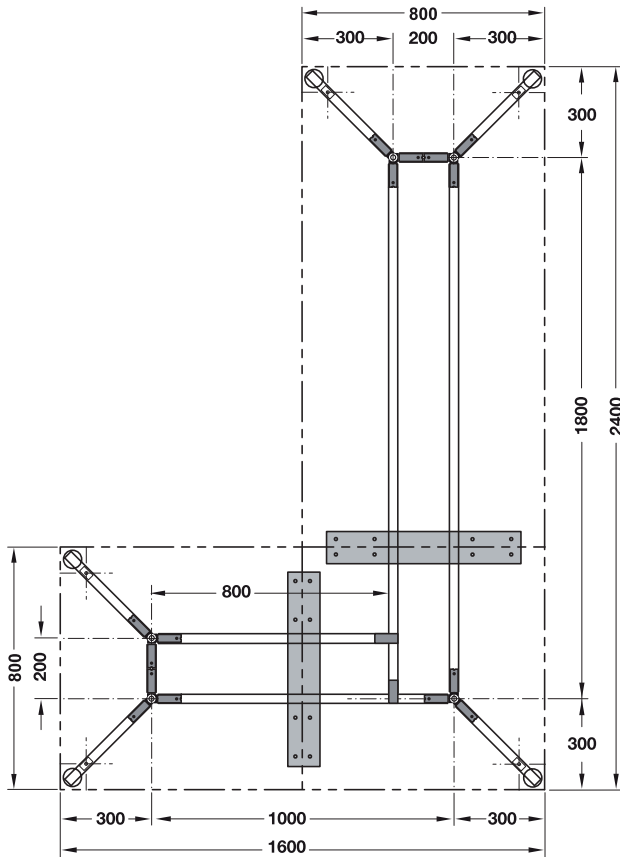
#### The following are required:

- > 2 Frames – type 1200
- > 1 Frame – type 200
- > 1 Frame – type 800
- > 4 Y-joints, 90°, fixed
- > 1 Corner joints, fixed
- > 4 Idea 300 table legs (design as required)
- > 1 Set of fixing material

**Frame length calculation (frame type) of individually designed table shapes**

**Same table depth: Corner table 90°**

Example: Table depth 800 mm, table length 2,400/1,600 mm



Formula for longitudinal frame length; table length 2,400 mm	
Table top 1,600 mm	
+ 90° table corner 800 mm	
= table length 2,400 mm	2,400 mm
minus 2 x 300 mm	- 600 mm
<b>= frame type</b>	<b>= frame type 1800</b>

Formula for lateral frame length; table width 800 mm	
Table top 800 mm	800 mm
minus 2 x 300 mm	- 600 mm
<b>= frame type</b>	<b>= frame type 200</b>

Formula for external frame length; table length 1,600 mm	
Table top 800 mm	
+ 90° table corner 800 mm	
= table length 1,600 mm	1,600 mm
minus 2 x 300 mm	- 600 mm
<b>= frame type</b>	<b>= frame type 1000</b>

Formula for internal frame length; table length 1,600 mm	
Table top 800 mm	
+ 90° table corner 800 mm	
= table length 1,600 mm	1,600 mm
minus 2 x 300 mm	- 600 mm
minus 200 mm	- 200 mm
<b>= frame type</b>	<b>= frame type 800</b>

**\* Note**

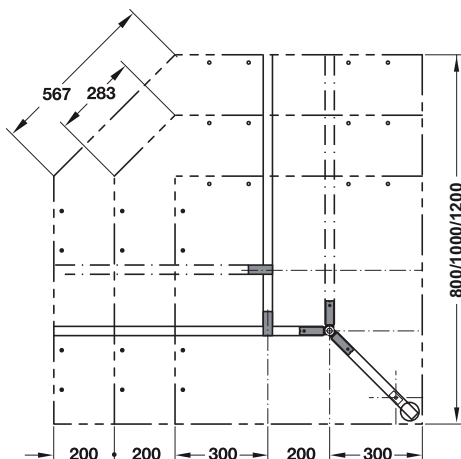
In order to avoid table top height differences, we recommend mounting a desktop support for each table top joint.

**The following are required:**

- > 2 Frames – type 1800
- > 1 Frame – type 200
- > 1 Frame – type 1000
- > 1 Frame – type 800
- > 5 Y-joints, 90°, fixed
- > 2 Corner joints, fixed
- > 5 Idea 300 table legs (design as required)
- > 2 Desktop supports
- > 1 Set of fixing material

**Corner table top: Options for 90° table corner with identical table depth**

Example: Corner table top with connection to table depth 800 mm



**The following are required:**

Corner table top 800 x 800 mm, see above

- Corner table top 1,000 x 1,000 mm
- > 2 Frames – type 2000 instead of 1800
  - > 1 Frame – type 200
  - > 1 Frame – type 1200 instead of 1000
  - > 1 Frame – type 1000 instead of 800
  - > The other individual components remain the same

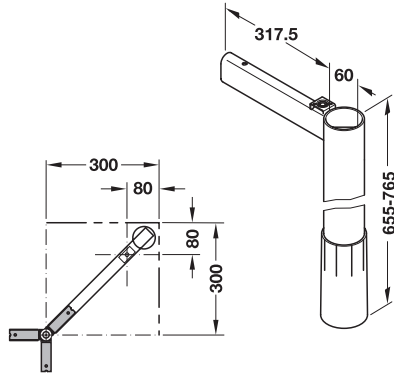
- Corner table top 1,200 x 1,200 mm
- > 2 Frames – type 2200 instead of 1800
  - > 1 Frame – type 200
  - > 1 Frame – type 1400 instead of 1000
  - > 1 Frame – type 1200 instead of 800
  - > The other individual components remain the same



## IDEA 300 and 400 leg, straight, with mounting bracket

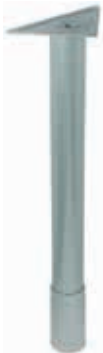


- > With safety fixing using clamping ring
- > With 110 mm adjustment screw at the leg
- > With height adjustment 655 to 765 mm
- > Plastic coated steel
- > Order qty: 1 pc

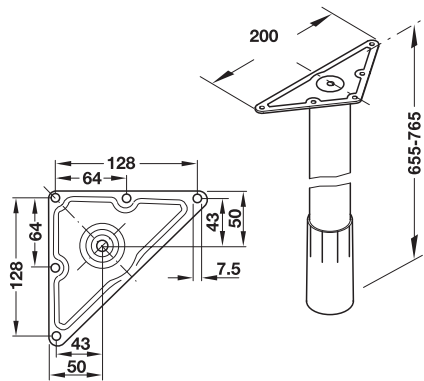


Finish	Cat. No.
Black RAL 9011	654.11.372

## IDEA 300 leg, straight, with screw-on plate



- > With safety fixing using clamping ring
- > With 110 mm adjustment screw at the leg
- > With height adjustment 655 to 765 mm
- > Plastic coated steel
- > Order qty: 1 pc



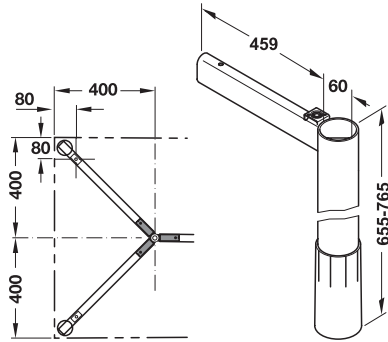
Finish	Cat. No.
Silver coloured RAL 9006	654.39.272



**IDEA 400 leg, straight, with mounting bracket**



- > With safety fixing using clamping ring
- > With 110 mm adjustment screw at the leg
- > With height adjustment 655 to 765 mm
- > Plastic coated steel, chrome-plated steel or stainless steel
- > Order qty: 1 pc

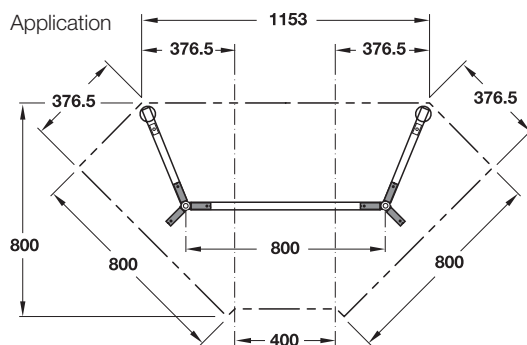
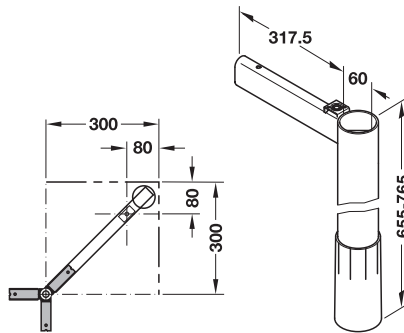


Finish	Cat. No.
Silver coloured RAL 9006	654.41.272
Black RAL 9011	654.42.372

**IDEA 300 and 400 leg, straight, for 45° corner position, with mounting bracket**



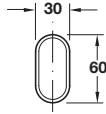
- > With safety fixing using clamping ring
- > With 110 mm adjustment screw at the leg
- > With height adjustment 655 to 765 mm
- > Plastic coated steel, chrome-plated steel or stainless steel
- > Order qty: 1 pc



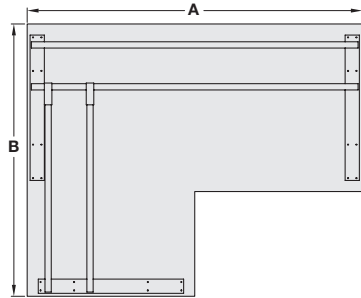
Idea 400 table leg for 45° corner position, table leg connection with Y-joints 45°

Finish	Cat. No.
Black RAL 9011	654.11.372

## IDEA system rail



- > For IDEA+ A, C and T frames 2 pcs required per desk
- > For IDEA+ MOTION frames 3 pcs required per desk
- > For corner desks 4 pcs required per desk (see chart), and 2 90° joints
- > Silver coloured RAL 9006 plastic coated oval steel tubing
- > Order qty: 1 pc



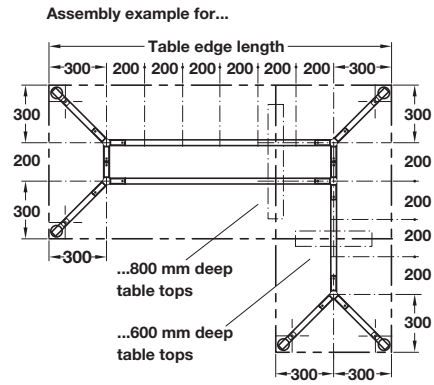
### Recommended quantity per desk size

	Length	559 mm	759 mm	959 mm
<b>A</b>	800 mm	1		
	1000 mm		1	
	1200 mm			1
	1400 mm	2		
	1600 mm	1	1	
	1800 mm		2	
	2000 mm		1	1
	2200 mm			2
<b>B</b>	1200 mm		1	
	1400 mm			1
	1600 mm	2		
	1800 mm	1	1	
	2000 mm		2	
	2200 mm		1	1

Dim. A	Dim. B	Cat. No.
200 mm	159.5 mm	654.12.202
400 mm	359.5 mm	654.12.204
600 mm	559.5 mm	654.12.206
800 mm	759.5 mm	654.12.208
1000 mm	959.5 mm	654.12.210
1200 mm	1159.5 mm	654.12.212
1300 mm	1259.5 mm	654.12.213
1500 mm	1459.5 mm	654.12.215
1600 mm	1559.5 mm	654.12.216
1700 mm	1659.5 mm	654.12.217
1800 mm	1759.5 mm	654.12.218
1900 mm	1859.5 mm	654.12.219
2000 mm	1959.5 mm	654.12.220



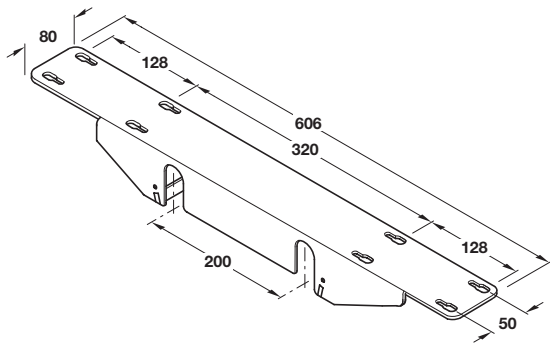
- > Desktop supports are used for each desktop joint
- > Supports are fitted according to the desktop thickness and length



**IDEA system desktop support, 800 mm deep**



- > For stabilising the table top, for 2 frames
- > Recommended for each table top joint
- > Silver coloured RAL 9006 plastic coated steel
- > Order qty: 1 pc

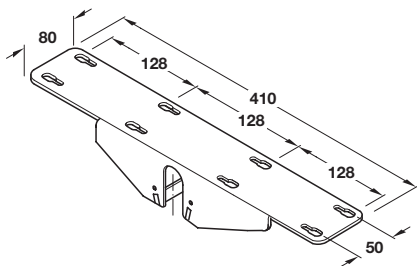


	Cat. No.
Desktop support	654.14.200

**IDEA system desktop support, 600 mm deep**



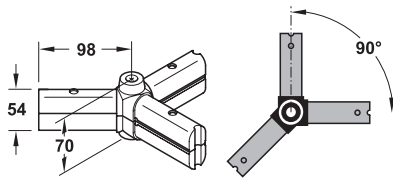
- > For stabilising the table top, for 1 frame
- > Recommended for each table top joint
- > Silver coloured RAL 9006 plastic coated steel
- > Order qty: 1 pc



	Cat. No.
Desktop support	654.46.201

TCH TECHNOLOGY 2022, © Hafele U.K. Ltd 2022. Dimensional data not binding. We reserve the right to alter specifications without notice.

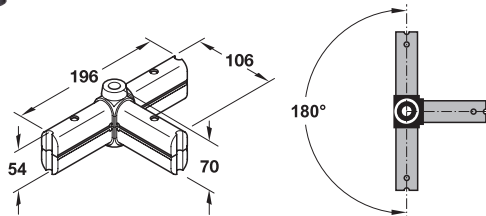
## IDEA Y-joint, 90° fixed



- > For IDEA 300 and 400 desking systems
- > With tensioning elements
- > For press fitting into frames, for screw fixing with SW4 hexagon socket
- > Black plastic
- > Order qty: 1 pc

	Cat. No.
Y-joint	654.30.000

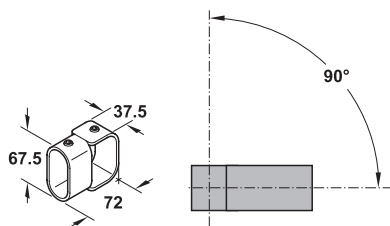
## IDEA T-joint, 90° fixed



- > For IDEA 300 and 400 desking systems
- > With tensioning elements
- > For press fitting into frames, for screw fixing with SW4 hexagon socket
- > Black plastic
- > Order qty: 1 pc

	Cat. No.
T-joint	654.30.020

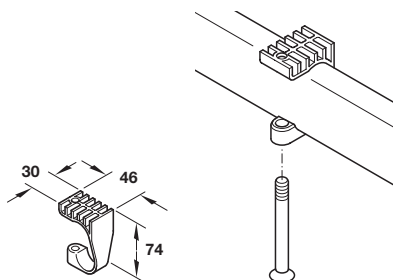
## IDEA corner joint, 90° fixed



- > For IDEA 300 and 400 desking systems
- > With tensioning elements
- > For sliding onto frames
- > Silver coloured RAL 9006 plastic coated steel
- > Order qty: 1 pc

	Cat. No.
Corner joint	654.30.200

## IDEA desktop support



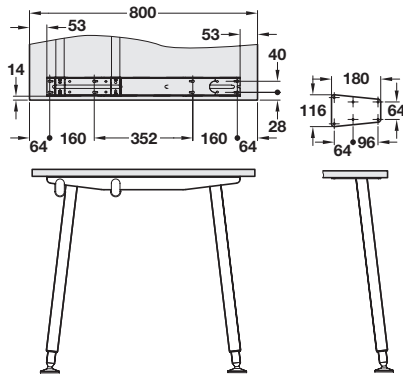
- > For IDEA 300 and 400 desking systems
- > For plug fitting onto frame for screw fixing to table top
- > Inset supports 800 - 1000 mm apart in accordance with table top thickness and length
- > Black plastic
- > Order qty: 1 pc

	Cat. No.
Desktop support	654.34.510

**IDEA+ A modular end frame**



- > Adjustable for left and right hand
- > Vertically adjustable by 170 mm, 650-820 mm
- > Consists of:
  - > 1x set assembly screws
  - > 2x end caps, black plastic
  - > 1x end frame
  - > Silver coloured RAL 9006 plastic coated steel
  - > Order qty: 1 pc



Order rails separately to suit desk width required, shown on page 12.11

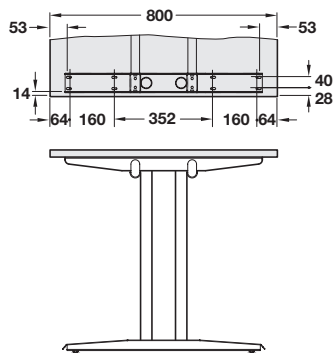
For desktop depth	Cat. No.
800 mm	633.00.222

12

**IDEA+ T modular end frame**

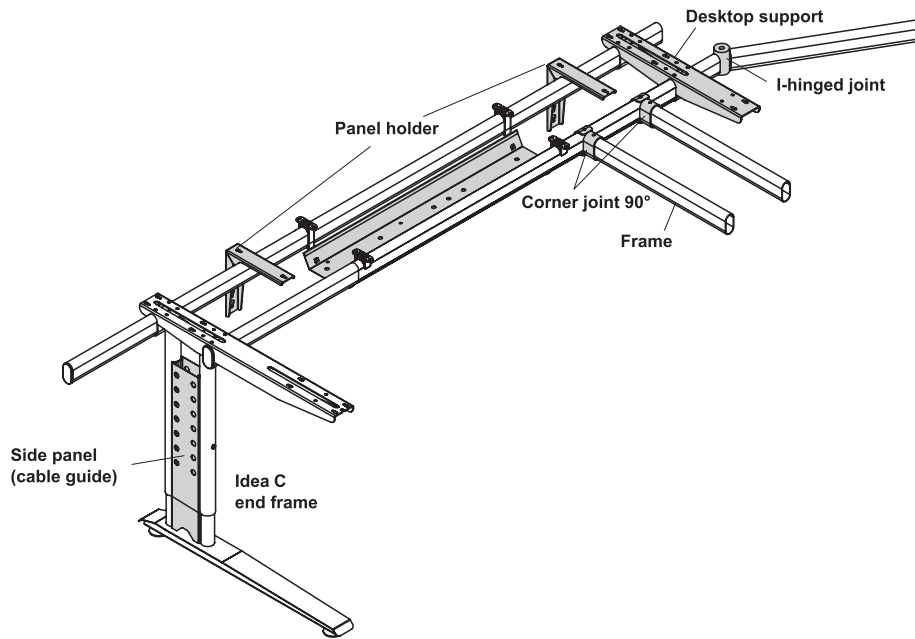


- > Adjustable for left or right hand
- > With 2 adjustable screws, levelling adjustment 720-740 mm
- > Consists of:
  - > 1x set of assembly screws
  - > 2x end caps, black plastic
  - > 1x end frame
  - > Silver coloured RAL 9006 plastic coated steel
  - > Order qty: 1 pc

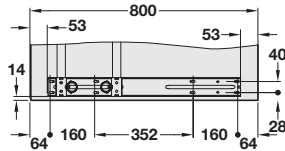
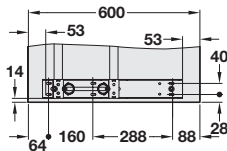
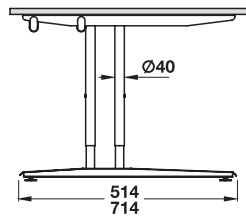


Order rails separately to suit desk width required, shown on page 12.11

For desktop depth	Cat. No.
800 mm	633.02.222



## IDEA C end frame



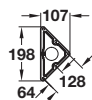
- > Adjustable for left or right hand
- > Vertically adjustable from 650-850 mm in 20 mm increments
- > Includes:
  - 1x end frame
  - 2x end caps
  - 2x tube caps
  - Fixing materials
- > Silver coloured RAL 9006 plastic coated steel
- > Order qty: 1 pc



Order rails, joints and supports separately, shown on pages **12.11-13**

For table depth	Cat. No.
600 mm	633.01.212
800 mm	633.01.222

## Single leg with IDEA C screw-on plate



- > For IDEA C desking system
- > Silver coloured RAL 9006 plastic coated steel
- > Order qty: 1 pc

	Cat. No.
Single leg with mounting plate	633.01.200

# ELECTRIC DESK FRAMES



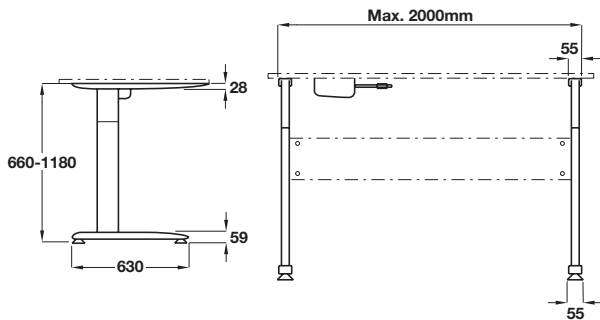
- > Height adjustment from 660 to 1180 mm (without top)
- > Dual rocker switch operation to improve safety
- > Desktop movement of 25 mm/second

## Electric height adjustable desk frame



- > Required desktop size for 2 leg frame: \*600-2000 mm width, 800-1000 mm depth
- > \*Aluminium telescopic driveshaft can be cut to achieve a width less than 1225 mm
- > Load carrying capacity (including desktop): 70 kg
- > Order frame set for 2 leg workstation
- > Order frame set and additional leg for L-shaped corner workstations
- > Silver (RAL 9006) powder coated steel
- > Order qty: 1 set (unassembled)

For L-shaped corner workstation order 1x frame set and 1x additional leg



Desktop and modesty panel are not supplied  
Large desktops may require your own support rails to be added

Item	Cat. No.
Frame set for 2 leg workstation	630.43.900
Additional leg and driveshaft for L-shaped desks	630.43.990

## Mains lead



- > 1.8 m lead, bare ended
- > Black
- > Order qty: 1 pc

	Cat. No.
Mains lead	830.30.300



# HÄFELE OFFICYS HEIGHT ADJUSTABLE TABLE BASES

For workplaces, with electric height adjustment.

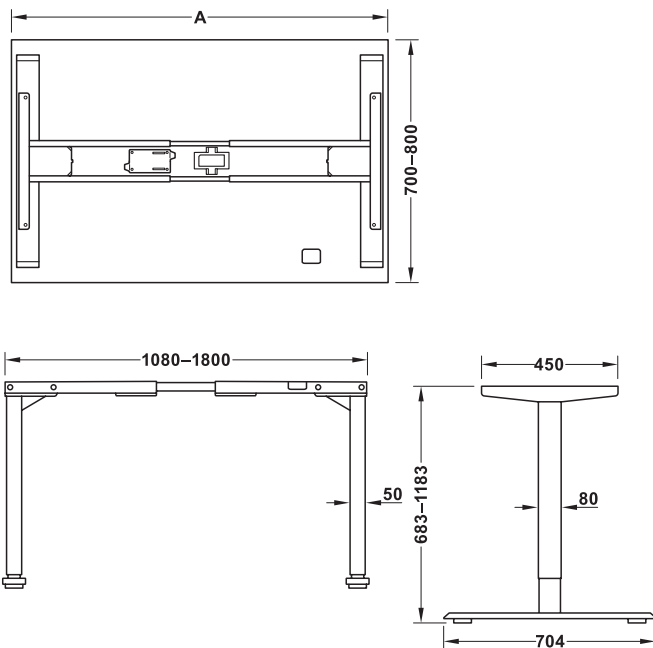
## Häfele Officys TE 301 Light table base



- > For workplaces with electric height adjustment
- > Variably adjustable desk width 1080-1800 mm
- > With collision detection
- > Height adjustment: Continuously and electrically adjustable, base height 683-1183 mm
- > Load bearing capacity: 80 kg with even load distribution
- > Powder coated steel
- > Supplied with:
  - 2x end frames with integrated control unit
  - 1x multi-piece adjustable frame
  - 1x wall plug power supply
  - 1x motor cable
  - 1x operating unit up/down
  - 1x set of fixing material
- > Order qty: 1 pc

12

Office Furniture Fittings: Desk Fittings



Accessories from the Häfele Officys table base range that are mounted directly on the table base via the support arms cannot be used for this application

Colour	Cat. No.
Signal white, RAL 9003	633.44.160
White aluminium, RAL 9006	633.44.161
Graphite black, RAL 9011	633.44.162

The background of the advertisement is a photograph of a modern home office. A light-colored, height-adjustable standing desk is the central focus. On the desk, there is a large black monitor, a smartphone on a stand, a mug, and some papers. To the left of the desk is a white adjustable desk lamp. To the right is a white shelving unit with books and a vase of dried flowers. The wall behind the desk is a textured, grey-blue color. The floor is covered with a colorful, patterned rug.

# HÄFELE JOBTISCH HOME & OFFICE

**Height adjustable standing desk**

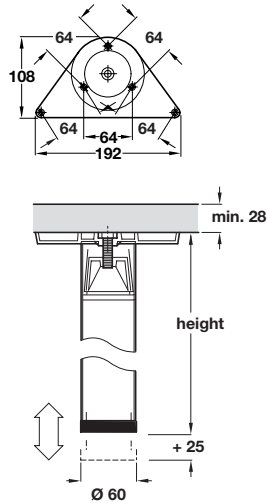
The Häfele JobTisch is the optimal solution for the home office, which integrates creativity and functionality into any living environment. Working in a standing position can also relieve back strain, so the JobTisch is designed to promote healthy working habits.

# TABLE LEGS

## Leg, Ø 60 mm



- > +25 mm adjustment
- > Leg can be cut to size
- > Dark grey zinc alloy screw fixing mounting plate
- > Tubular steel leg with black plastic height adjustable foot
- > Order qty: Multiples of 4 pcs



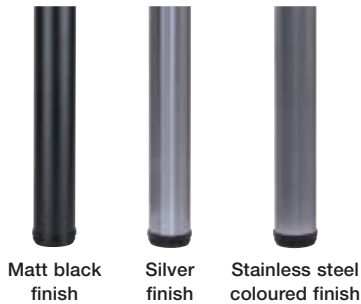
Finish	Cat. No.
<b>690 mm height</b>	
Polished chrome-plated	635.06.258
Silver coloured RAL 9006	635.11.269
Black	635.06.356
Raw unassembled	635.06.069
<b>710 mm height</b>	
Polished chrome-plated	635.06.276
Stainless steel colour	635.11.970
Silver coloured RAL 9006	635.11.270
Grey RAL 7036	635.06.570
White	635.06.776

12

## Table leg, Ø 60 mm



Chrome finish

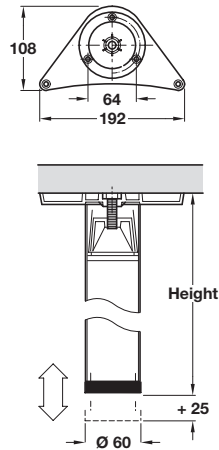


Matt black finish

Silver finish

Stainless steel coloured finish

- > +25 mm adjustment
- > Dark grey zinc alloy screw fixing mounting plate
- > Tubular steel leg with black plastic height adjustable foot
- > Order qty: Multiples of 4 pcs



Finish	710 mm height
Matt black	635.24.374
Chrome	635.24.274
Stainless steel coloured	635.24.074
Silver	635.24.974



Load carrying capacity is dependent on the type of material, size and weight of the construction

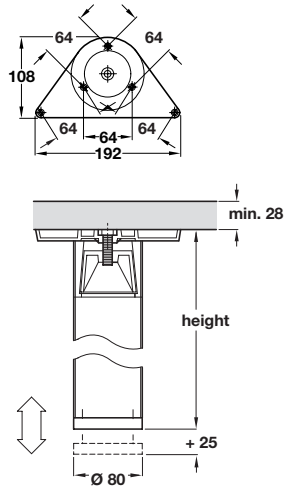
Office Furniture Fittings: Desk Fittings

TCH TECHNOLOGY 2022, © Häfele U.K. Ltd 2022. Dimensional data not binding. We reserve the right to alter specifications without notice.

Leg, Ø 80 mm



- > +25 mm adjustment
- > Leg can be cut to size
- > Dark grey zinc alloy screw fixing mounting plate
- > Tubular steel leg with black plastic height adjustable foot
- > Order qty: Multiples of 4 pcs



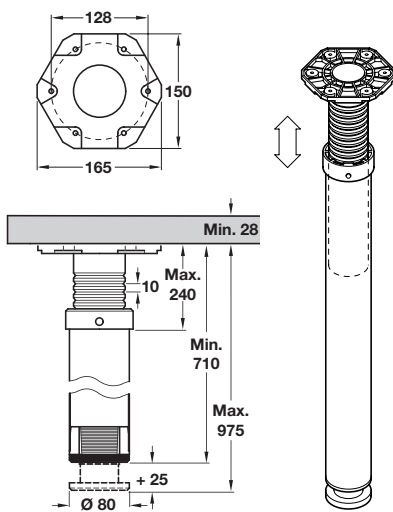
- ! > These legs are made from tubular steel with a removable plastic foot and can be cut to size
- > Additional mounting plate Cat. No. 635.06.016 can be ordered separately

Finish	710 mm height
Polished chrome-plated	635.07.273
Stainless steel coloured	635.07.479
Silver coloured RAL 9006	635.07.271
Black	635.07.370

Adjustable peninsular support leg, Ø 80 mm



- > Telescopic assembly allows full length adjustability between 710 to 975 mm
- > Tubular steel leg with black plastic adjustable mounting plate and fittings
- > Height adjustment at both ends of the leg
- > Black plastic height adjustable foot giving +25 mm adjustment
- > Order qty: 1 pc



- ! These legs should not be used for stand-alone tables, only for fixed peninsular supports

Finish	Cat. No.
Chrome	635.22.270

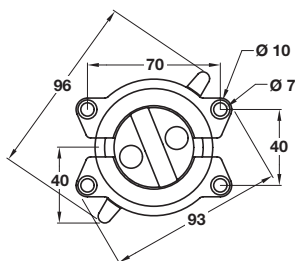
- ! Load carrying capacity is dependent on the type of material, size and weight of the construction

# TABLE CONNECTORS AND CHAIR BRACKETS

## Bench-type connector



- > Universal
- > Consists of two identical parts which can connect table tops or other furniture components by simply turning the lever
- > Easy to mount
- > No loose parts
- > Catch positions for assembling interlinking tops and for transport
- > 2 pcs = 1 complete set
- > Zinc alloy
- > Order qty: Multiples of 2 pcs

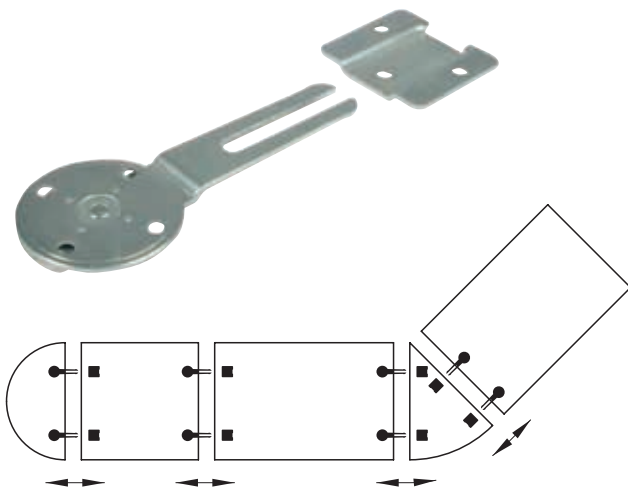


12

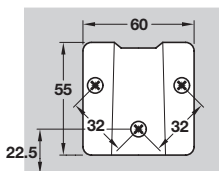
Office Furniture Fittings: Desk Fittings

Finish	Cat. No.
Nickel-plated	642.42.910

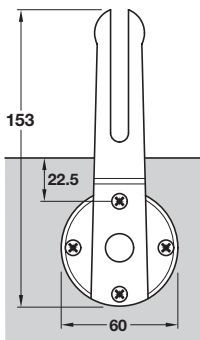
## Table connector



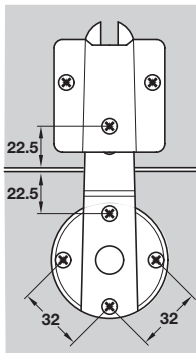
- > For connecting tables, table tops, chairs, beds, etc.
- > Comprises:
  - > 1x Snap-in part
  - > 1x Counterplate
- > Snaps together under light pressure without any tools
- > Just pull to separate
- > Snap-in part can be pivoted by 360°, lock position every 90°
- > Pivot under table when not needed
- > Steel
- > Order qty: 1 pc



Pivoted under table when not needed



Unlocked



Locked

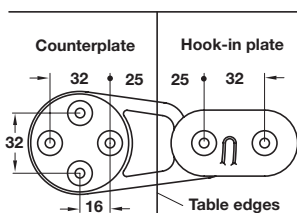


Finish	Cat. No.
Galvanized	642.42.900

## Table connector



- > For screw fixing beneath table top
- > Installation height: 9.1 mm
- > Slight tensile strain for firm connection for connecting table tops
- > Consists of:
  - > 2x Hook-in plates
  - > 2x Round counterplates
  - > 2x Oval counterplates
- > Grey plastic hook-in plate, bright zinc alloy hook
- > Order qty: 1 pc



Load carrying capacity is with 4 connectors and is dependent on material and size of table top and screws used

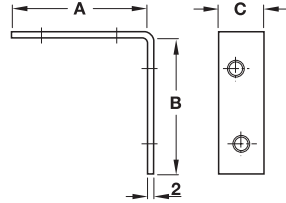
Load capacity	Cat. No.
50 kg	642.42.920



Chair bracket



- > Steel
- > Order qty: Multiples of 100 pcs

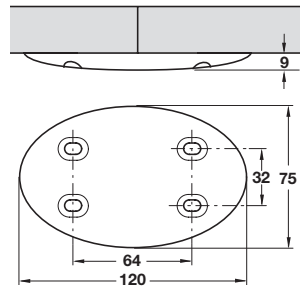


Dim. A x B x C	Screw size	Blue galvanized	Stainless steel
With 4 fixing holes			
25 x 25 x 15 mm	3.0 mm	260.28.902	260.28.002
40 x 40 x 15 mm	3.0 mm	260.28.904	260.28.004
50 x 50 x 15 mm	3.0 mm	260.28.905	260.28.005
60 x 60 x 18 mm	3.0 mm	260.28.906	-
80 x 80 x 18 mm	3.0 mm	260.28.908	-
With 6 fixing holes			
100 x 100 x 20 mm	3.5 mm	260.28.910	-

Modular table top connecting fitting



- > Designed to prevent clothing damage or injury by sharp edges and fixing screw heads
- > Ø 7 mm screw holes
- > Powder coated zinc
- > Order qty: 1 pc



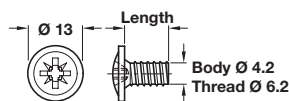
Order panel mounting screws separately Cat. No. 013.10.149/283, shown below

Finish	Cat. No.
Dark grey	642.43.300

Panel mounting screw



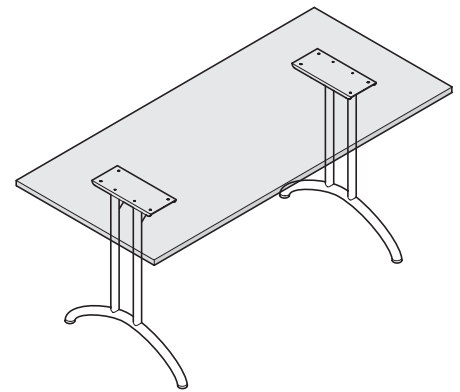
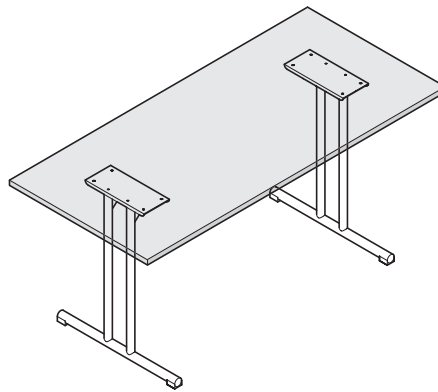
- > For Ø 5 mm drilled hole
- > Flat head with PZ cross slot
- > Galvanized steel



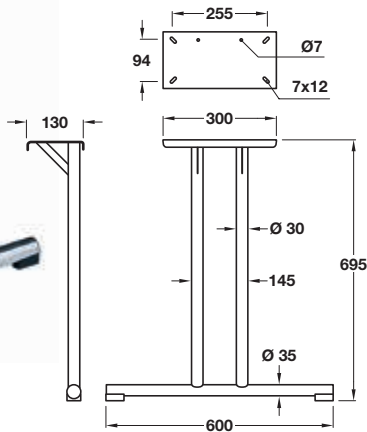
Please order screws in multiples of order quantity shown

Length	Driver required	Cat. No.	Order Qty
13.5 mm	PZ2	013.10.149	200
27.5 mm	PZ2	013.10.283	100

# T-FRAME TABLE FITTINGS



## Table fitting, T-frame

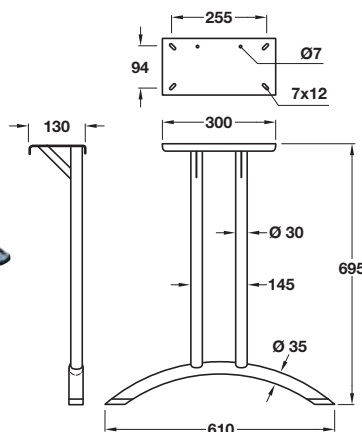


- > Chrome-plated steel with black plastic glides
- > Order qty: 1 pc (=1 T-frame)

Height	Cat. No.
695 mm	635.51.270



## Table fitting, T-frame



- > Chrome-plated steel with black plastic glides
- > Order qty: 1 pc (=1 T-frame)

Height	Cat. No.
695 mm	635.52.270

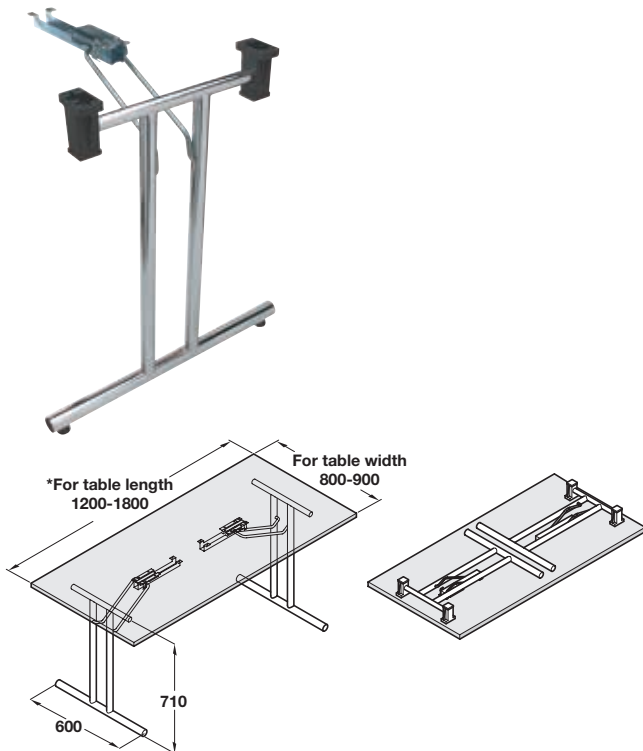


Load carrying capacity is dependent on the type of material, size and weight of the construction

TCH TECHNOLOGY 2022. © Häfele U.K. Ltd 2022. Dimensional data not binding. We reserve the right to alter specifications without notice.

# FOLDING TABLE LEGS

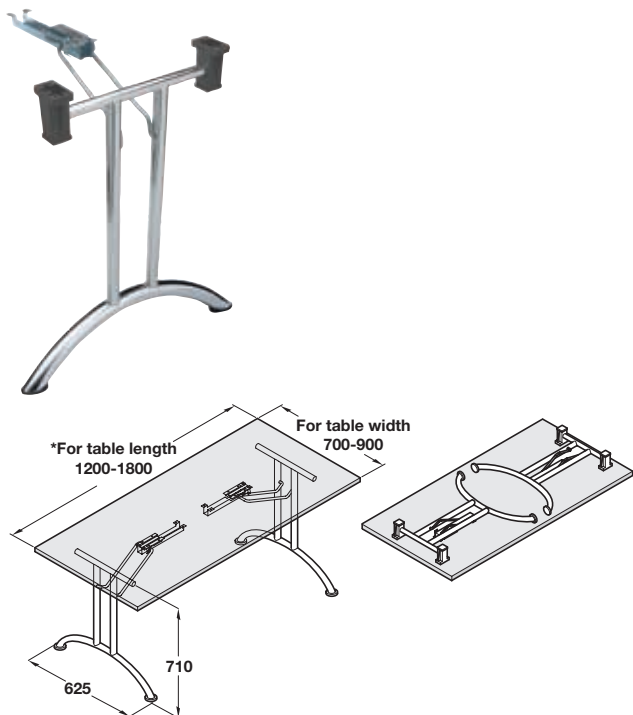
## Folding table fitting, T-frame



- > For minimum table top thickness 25 mm
- > Locks in position, open and closed
- > Feet with rivet-mounted angled skids
- > Polished chrome-plated tubular steel legs with zinc-plated steel locking fitting
- > \*Minimum table length is 1200 mm but legs will overlap
- > Order qty: 1 set (for 1 table)

Height	Cat. No.
720 mm	642.85.200

## Folding table fitting, T-frame



- > For minimum table top thickness 25 mm
- > Locks in position, open and closed
- > Feet with rivet-mounted angled skids
- > Polished chrome tubular steel legs with zinc-plated steel locking fitting
- > \*Minimum table length is 1200 mm but legs will overlap
- > Order qty: 1 set (for 1 table)

Height	Cat. No.
710 mm	642.85.210



Load carrying capacity is dependent on the type of material, size and weight of the construction

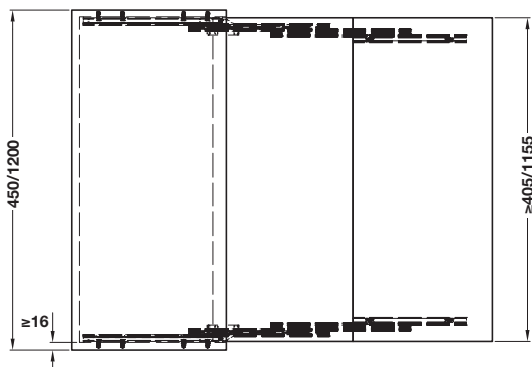
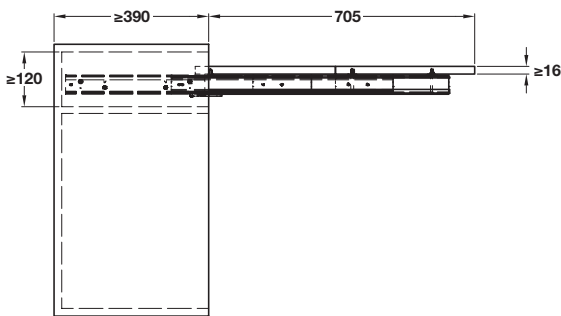
# LUNCH +39 PULL OUT TABLE

Pull out system for pull out table from a drawer space.

- > For increasing the workspace, if required
- > Worktop pulls out to form a flat surface
- > Installed in a drawer space with a fold down drawer front



## LUNCH +39 Pull out drawer table fitting



- > Area of application: For kitchen and living room furniture, behind folding drawer front panels
- > Load carrying capacity: 60 kg (evenly distributed)
- > Bronze coloured anodised aluminium and galvanised steel
- > Supplied with:
  - 1 pair of running tracks
  - Fixing materials
  - Installation instructions
- > Order qty: 1 kit



**!** Table top and wooden box not supplied. Please order hinges for drawer front separately

For cabinet width	Cat. No.
450/1200 mm	505.73.186

## PULL OUT SYSTEMS

Pull out systems for pull out worktop aligned with shelf, self supporting worktops, self supporting pull out tables, table from a drawer or folding fitting with folding table leg.

Full range shown online at [hafele.co.uk](http://hafele.co.uk).

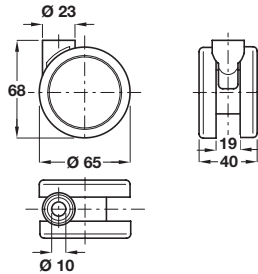


# TWIN WHEEL CASTORS AND ROLLER GLIDE

## Twin wheel swivel castor, Ø 65 mm wheels, with Ø 10 mm pin hole



Photo shows version with brake



- > For use with Ø 10 mm pin
- > Aluminium coloured plastic housing, dark grey non-marking rubber wheel and black plastic brake
- > Order qty: 1 pc



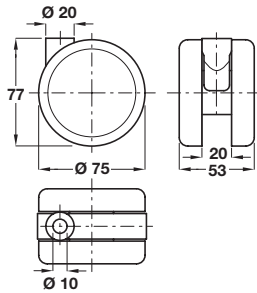
Ø 10 mm pin and mounting plates are shown on page 12.31

Wheel Ø	Load capacity	Without brake	With brake
Ø 65 mm	50 kg	660.91.914	660.90.914

## Twin wheel swivel castor, Ø 75 mm wheels, with Ø 10 mm pin hole



Photo shows version with brake



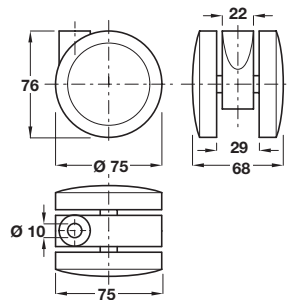
- > For use with Ø 10 mm pin
- > Aluminium coloured plastic housing, dark grey non-marking rubber wheel and black plastic brake
- > Order qty: 1 pc



Ø 10 mm pin and mounting plates are shown on page 12.31

Wheel Ø	Load capacity	Without brake	With brake
Ø 75 mm	50 kg	660.91.925	660.90.925

## Twin wheel swivel castor, Ø 75 mm wheels, with Ø 10 mm pin hole



- > For use with Ø 10 mm pin
- > Silver coloured RAL 9006 plastic housing, mid grey non-marking rubber wheel and black plastic brake
- > Order qty: 1 pc



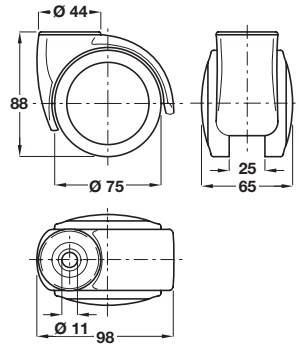
Ø 10 mm pin and mounting plates are shown on page 12.31

Wheel Ø	Load capacity	With brake
Ø 75 mm	80 kg	660.90.235

## Twin wheel swivel castor, hooded, Ø 75 mm wheels, with Ø 11 mm pin hole



- > For use with Ø 11 mm pin
- > Silver coloured RAL 9006 plastic housing, mid grey non-marking rubber wheel and black plastic brake
- > Order qty: 1 pc



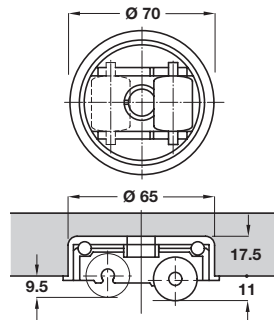
Ø 11 mm pin and mounting plates are shown on page **12.31**

Wheel Ø	Load capacity	Without brake	With brake
Ø 75 mm	100 kg	660.91.245	660.90.245

## Roller glide



- > Particularly suited where height restriction applies, 11 mm maximum distance between floor and base of furniture
- > By changing position of the roller the distance from the floor to the base of the furniture can vary from 11 to 9.5 mm
- > Inner wheel housing swivels 360° within outer housing
- > Can be used for mobile pedestals that are stored under desktops
- > Plastic
- > Order qty: 1 pc



Wheel Ø	Load capacity	Without brake
Ø 70 mm	65 kg	661.05.306





ON  
HINGES

## NEW: METALLA HINGES FROM HÄFELE

**Hinges for Every Application.**

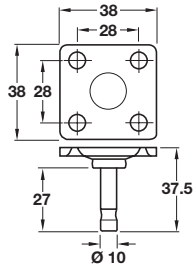
For nearly 100 years, Häfele have successfully supplied the furniture market with quality products, re-investing this expertise in its own-brand range. This has resulted in the Metalla 310 hinge, which has been specifically designed to offer furniture manufacturers a quality choice backed up with a 25-year guarantee.

By using the Metalla 310, furniture manufacturers can be confident they're getting complete reliability, ease of use and long-term quality. Order by 5:30pm for our FREE Next Day Delivery\*.

\*Inverness & Aberdeen: please check services available, dependent on post code area. Excludes Northern Ireland, Highlands & Offshore deliveries and products delivered direct. UK Deliveries only. Dispatch subject to account status. Delivery terms apply. See [www.hafele.co.uk/delivery](http://www.hafele.co.uk/delivery) for details.

# PIN AND MOUNTING PLATES FOR CASTORS

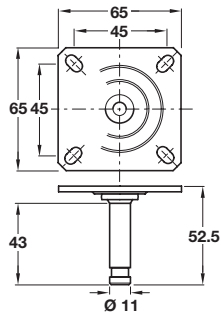
## Pin, Ø 10 mm, with mounting plate



- > For mounting castors with Ø 10 mm pin hole
- > Galvanized steel
- > Order qty: 1 pc

Pin Ø	Cat. No.
Ø 10 mm	660.92.950

## Pin and mounting plate, Ø 11 mm



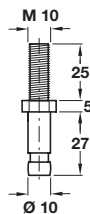
- > For mounting castors with Ø 11 mm pin hole
- > Galvanized steel
- > Order qty: 1 pc

Pin Ø	Cat. No.
Ø 11 mm	660.92.910



12

## Pin, Ø 10 mm, with M10 thread



- > For mounting castors with Ø 10 mm pin hole
- > Galvanized steel
- > Order qty: 1 pc

Pin Ø	Cat. No.
Ø 10 mm	660.92.920



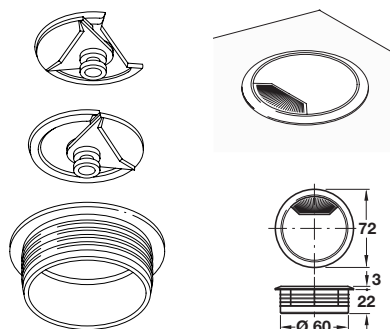
Office Furniture Fittings: Desk Fittings

# ROUND CABLE OUTLETS

## Cable outlet, Ø 60 mm



- > Two part cable outlet, sleeve and cover plate
- > The cover plate has a spring loaded section which can be swivelled away to allow cables through
- > The cover plate can be removed completely to allow cables with plugs attached through
- > Plastic
- > Order qty: 1 pc



Finish	Cat. No.
White	429.99.726
Light grey	429.99.628
Beige, RAL 1014	429.99.423
Sepia brown	429.99.128
Black	429.99.324

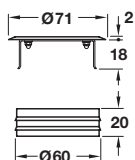
12

Office Furniture Fittings: Desk Fittings

## Cable outlet, Ø 60 mm

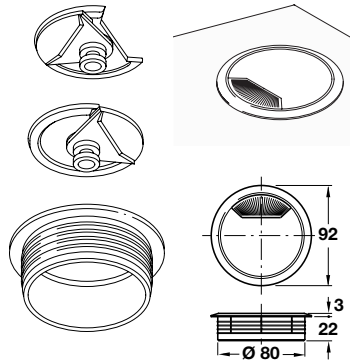


- > Two part cable outlet, sleeve and cover plate
- > Press fit
- > Cable cut out size: 10 x 17 mm
- > Stainless steel
- > Order qty: 1 pc



Finish	Cat. No.
Fine ground finish	631.04.000

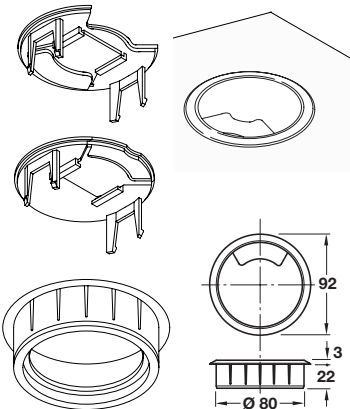
## Cable outlet, Ø 80 mm



- > Two part cable outlet, sleeve and cover plate
- > The cover plate has a spring loaded section which can be swivelled away to allow cables through
- > The cover plate can be removed completely to allow cables with plugs attached through
- > Plastic
- > Order qty: 1 pc

Finish	Cat. No.
Off-white	429.99.744
Light grey	429.99.548
Beige	429.99.440
Sepia brown	429.99.146
Black	429.99.342
Graphite grey RAL 7024	429.99.542
Concrete grey RAL 7023	429.99.543
Traffic grey RAL 7043	429.99.511

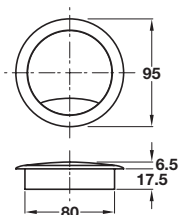
## Cable outlet, Ø 80 mm



- > Three part plastic cable outlet, sleeve and cover plate with removable section
- > A section of the cover plate is removed and stored under the cover plate to allow cable through
- > The cover plate can be removed completely to allow cables with plugs attached through
- > Plastic
- > Order qty: 1 pc

Finish	Cat. No.
White	429.89.720
Ivory	429.89.471
Beige	429.89.426
Light grey	429.89.524
Chrome	429.89.220
Sepia brown	429.89.122
Lava brown	429.89.024
Black	429.89.328

## Cable outlet, Ø 80 mm



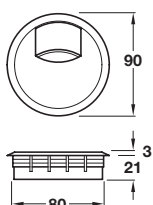
- > Two part cable outlet for installation in Ø 80 mm holes
- > Plastic
- > Order qty: 1 pc

Finish	Cat. No.
Silver	631.40.904

Cable outlet, sliding system, Ø 80 mm



- > Two part cable outlet for installation in Ø 80 mm holes
- > With integral sliding cover
- > Plastic
- > Order qty: 1 pc

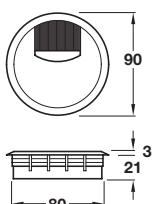


Finish	Cat. No.
White aluminium effect	631.35.204
Stainless steel effect	631.35.004
Black	631.35.304

Cable outlet, brush system, Ø 80 mm



- > Two part cable outlet for installation in Ø 80 mm holes
- > With flexible brush seal
- > Plastic
- > Order qty: 1 pc

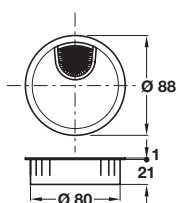


Finish	Cat. No.
White aluminium RAL 9006	631.35.214
Stainless steel coloured	631.35.015
Black	631.35.314

Cable outlet, Ø 80 mm



- > Two part cable outlet, for press fitting/gluing into Ø 80 mm hole
- > With flexible brush seal
- > Zinc alloy
- > Order qty: 1 pc



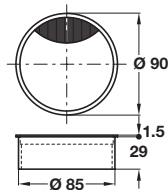
Finish	Cat. No.
Matt nickel	631.32.604
Stainless steel colour	631.32.004
Aluminium colour RAL 9006	631.32.904



## Cable outlet, Ø 85 mm



- > Two part cable outlet, for press fitting/gluing into Ø 85 mm holes
- > With flexible brush seal
- > Anodised aluminium
- > Order qty: 1 pc

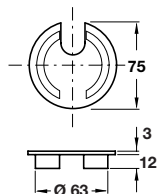


Finish	Cat. No.
Anodised aluminium	429.86.925

## Cable outlet, Ø 63 mm



- > One part cable outlet, for press fitting/gluing into Ø 63 mm holes
- > Zinc alloy
- > Order qty: 1 pc

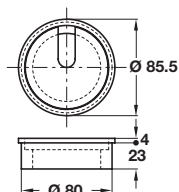


Finish	Cat. No.
Polished chrome	428.95.200
Polished brass	428.95.800
Matt chrome	428.95.400

## Cable outlets, Ø 80 mm



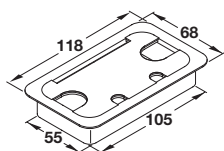
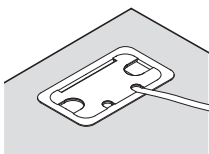
- > Two part cable outlet, sleeve and cover plate, for installation in Ø 80 mm holes
- > Wood
- > Order qty: 1 pc



Finish	Cat. No.
Maple unfinished	631.23.100
Maple clear lacquered	631.23.101
Beech unfinished	631.23.300
Oak unfinished	631.23.400
Oak clear lacquered	631.23.401
Cherry unfinished	631.23.600

# RECTANGULAR CABLE OUTLETS

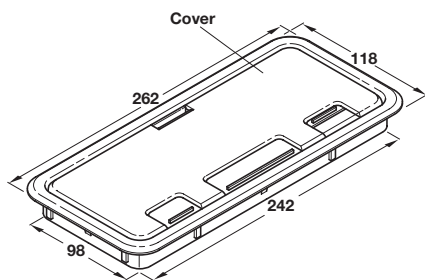
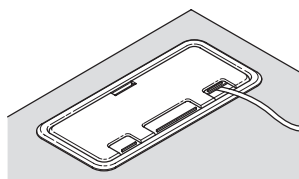
## Rectangular cable outlet, 55 x 105 mm



- > For recess mounting in desktop
- > 4 cable apertures and tape slot
- > Plastic
- > Order qty: 1 pc

Finish	Cat. No.
Light grey	429.88.509
Black	429.88.303

## Rectangular cable outlet, 98 x 242 mm



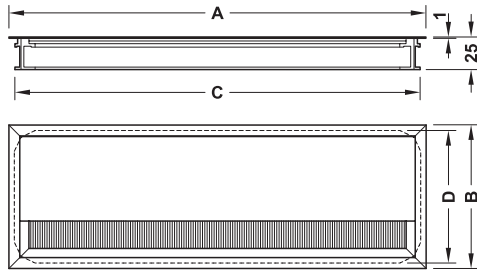
- > For recess mounting in desk top
- > 3 sliding cable apertures
- > Plastic
- > Order qty: 1 pc

Finish	Cat. No.
Grey	429.99.575
Beige	429.99.486
Brown	429.99.173
Black	429.99.379

Square/rectangular cable outlet, 120/240 x 120 mm



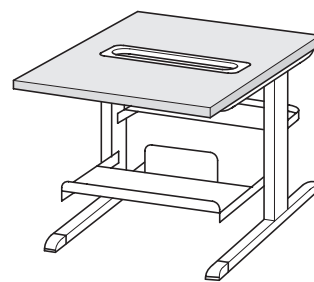
- > Square or rectangular
- > 1-piece, with straight hinged lid, black brush seal and gentle closing function
- > Aluminium
- > Order qty: 1 pc



Routing dimensions = dim. C + 1 mm x dim. D + 1 mm

Finish	Cat. No.
<b>Square - Dims. A x B x C x D: 120 x 120 x 112 x 112 mm</b>	
Silver coloured anodised	631.29.911
Powder coated black	631.29.926
<b>Rectangular - Dims. A x B x C x D: 240 x 120 x 232 x 112 mm</b>	
Silver coloured anodised	631.29.912
Powder coated black	631.29.927

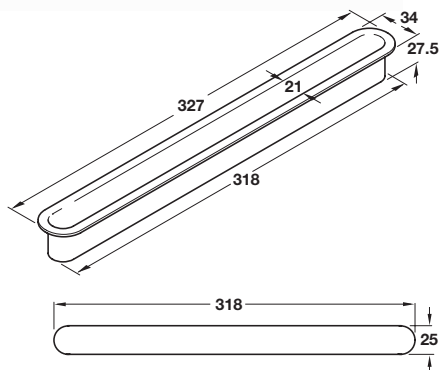
# PAPER GUIDES



Paper guide, 25 x 318 mm



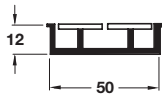
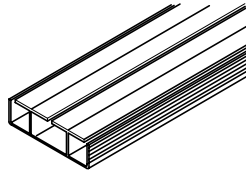
- > For gluing into apertures of desktop
- > Guides paper from 80 mm column printer
- > Plastic
- > Order qty: 1 pc



Finish	Cat. No.
Black	429.98.318

# CABLE TRUNKING AND GUIDES

## Cable trunking with soft top



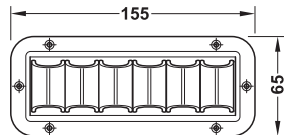
- > Soft top allowing cables to be “wiped in”
- > For routed groove location in slab-end of desk
- > Black plastic
- > Order qty: Multiples of 1.5 metres



Sold in metres. Please order in multiples of metre quantity show

Finish	Cat. No.
Black	822.22.310

## Cable guide, horizontal, 155 x 65 mm



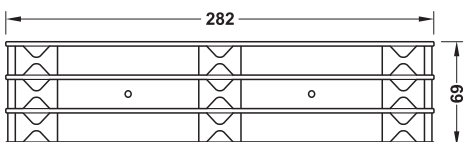
- > For routing cable harnesses
- > For screw fixing
- > Plastic
- > Order qty: 1 pc

Finish	Cat. No.
Silver coloured	631.20.950
Black	631.20.350
White	631.20.750

## Cable guide, horizontal, 282 x 69 mm



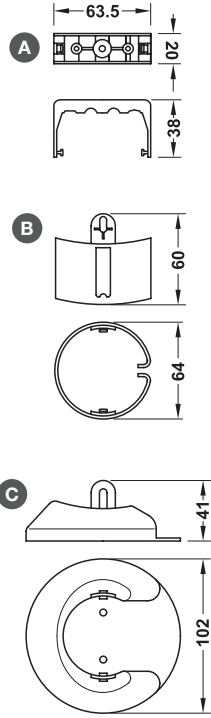
- > For routing cable harnesses
- > For screw fixing
- > Plastic
- > Order qty: 1 pc



Finish	Cat. No.
Black	631.09.320

# VERTICAL CABLE MANAGEMENT

## Vertical cable management, link design



- > This vertical cable management system is both attractively designed and protects the cables on their way from floor to desktop
- > The length/height of the riser is easily adjusted by adding or removing individual clip elements as required
- > For up to 815 mm desktop height, comes complete with weighted base section and table fixing element
- > Consists of:
  - A Table top adapter
  - B Link
  - C Base
- > Fixing screws are also supplied for both desktop fixing and the integral strain relief
- > Plastic with metal weighted base
- > Order qty: 1 pc

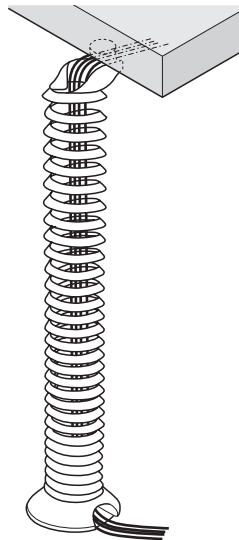
Fixings included

Finish	Cat. No.
Black	631.01.300
Silver coloured	631.01.900

12

Office Furniture Fittings: Desk Fittings

## Vertical cable management, spiral design



- > Weighted with base
- > Flexible use for different table heights, particularly suitable for height adjusting tables
- > For screw fixing beneath table top
- > Plastic with metal weighted base
- > Order qty: 1 pc

Colour	Cat. No.
Black	631.20.310
Silver coloured	631.20.910

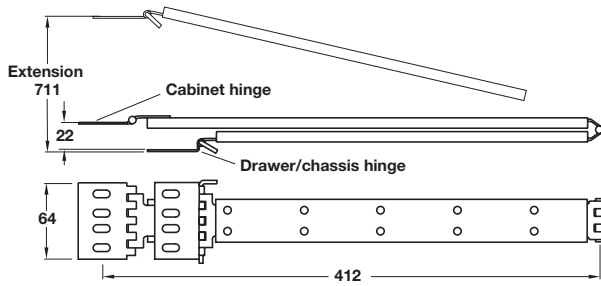
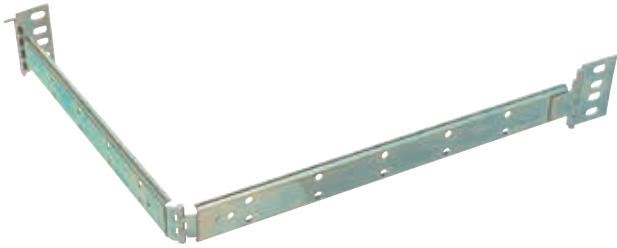
TCH TECHNOLOGY 2022, © Hafele U.K. Ltd 2022. Dimensional data not binding. We reserve the right to alter specifications without notice.



Accuride CC5AD cable carrier



- > Disconnects from drawer/chassis
- > Can be rack mounted
- > Ample provision for cable clamps
- > Bright zinc plated steel
- > Order qty: 1 pc



	Cat. No.
Cable carrier	422.53.900

# ELLIPTA FLAT SCREEN ARMS

The ellipta range of multi-directional flat screen arms.



## MAKE THE MOST OF YOUR FLAT SCREEN MONITOR

The ellipta flat screen arm from Häfele offers a unique spring-tensioned design, which allows feather-light height adjustability at just the touch of your finger. Unlike many other arms, it compliments the sleek style of flat screens with fluid, functional movement. It also provides ergonomic benefits and dynamic, multi-screen use to elevate your professional capabilities.

As essential to your office as desks and chairs, ellipta is a tool for a better work environment.

12

Office Furniture Fittings: Desk Fittings



### TAILOR TO EACH AND EVERY EMPLOYEE

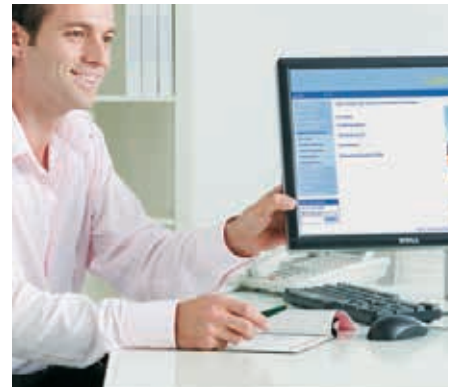
As employees are expected to spend more time at the computer, employers are expected to reduce their risk of repetitive strain. Considering the rising cost of workplace injuries and lost productivity due to absence, an investment in ellipta arms is a sound one.

Providing an ergonomically designed workplace not only means positioning monitors for individual users, but also giving them freedom to move throughout the day. Many arms on the market must be manually adjusted. But ellipta's unique weight tensioning spring allows new positioning with fingertip control.



### USE DESK SPACE MORE EFFICIENTLY

In most offices space is like time there is never enough. That is why the ellipta arm is designed to reduce the amount of desk space taken up by monitors. It saves space used by pedestal stands for flat screens by up to 40%. ellipta also frees up space underneath, behind and around monitors, making it easy to move screens out of the way when they are not being used, giving more flexibility to get work done.

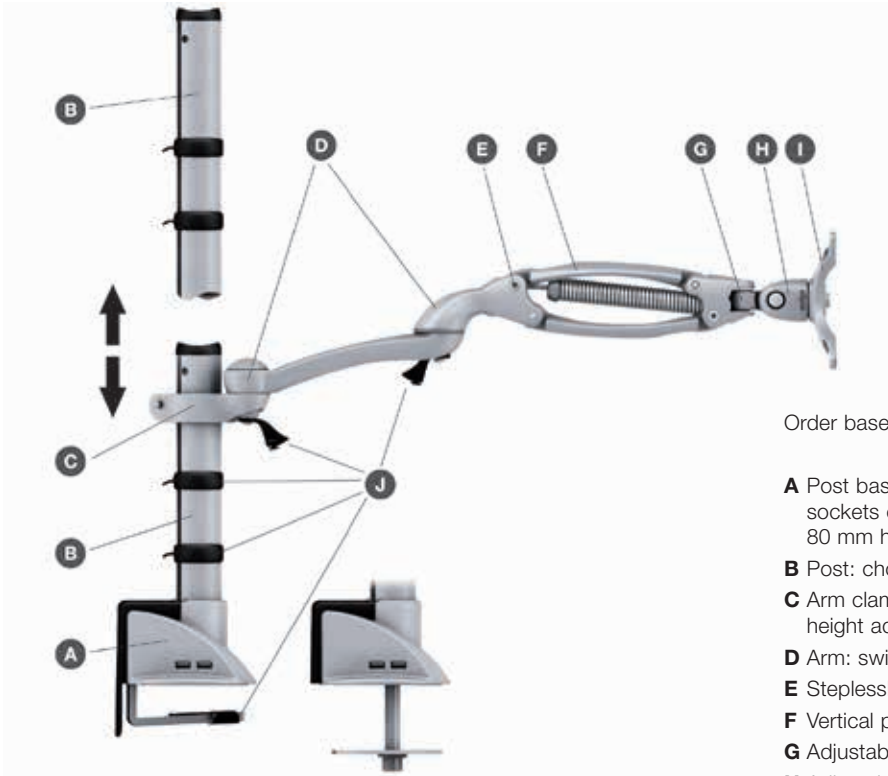


### MOVE YOUR SCREEN FOR BETTER COMMUNICATION

Sometimes the only way for people to see what you really mean is to show them. Whether you want to turn your screen to face a colleague next to you or to a customer across the counter, ellipta's feather light adjustability makes information sharing easy.

A combination of swivel actions allows movement to all angles. Customise a solution for any task. From monitoring stocks to editing video, you're only limited by your imagination.

TOH TECHNOLOGY 2022, © Häfele U.K. Ltd 2022. Dimensional data not binding. We reserve the right to alter specifications without notice.



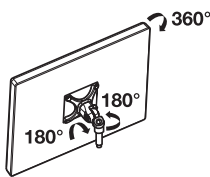
Order base, post, arm clamp and arm separately:

- A** Post base: choice of universal post base with 4 USB sockets or econopost base. For fixing through max. 80 mm hole or clamp fixing on desktop 14-70 mm thick
- B** Post: choice of two lengths; 260 or 570 mm
- C** Arm clamp: fastening to post for stepless, tool-free height adjustment
- D** Arm: swivels either way through approx 180°
- E** Steplessly adjustable springs
- F** Vertical part, 228 mm for optimum height adjustment
- G** Adjustable 90° left and right
- H** Adjustable 85° up and down
- I** Mounting plate with standards VESA fixing points 75/100, rotates 180°, to level or tilt monitor screen
- J** Cable holders on arm and on post base for secure and tidy cable management

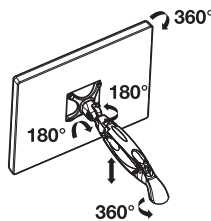


Wall mounting brackets are also available if wall mounting required, shown on page 12.45

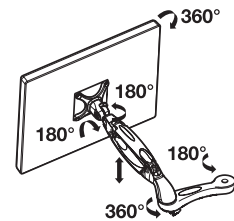
**Installation examples**



Short arm without height adjustment.



Mid arm with height adjustment.



Long arm with extension arm and height adjustment.

**Mounting examples**



Universal base with short post and 2x long arms supporting 2x LCD screens horizontally.

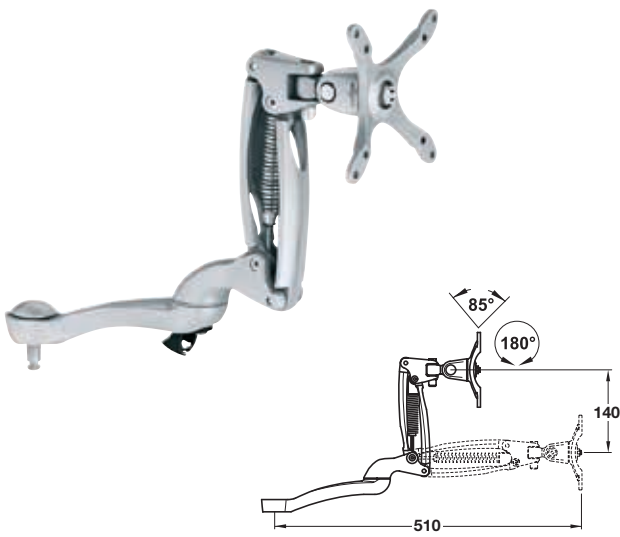


Universal base with short post and long arm supporting 1x LCD screen.



Econopost base with short post and mid arm supporting 1x LCD screen.

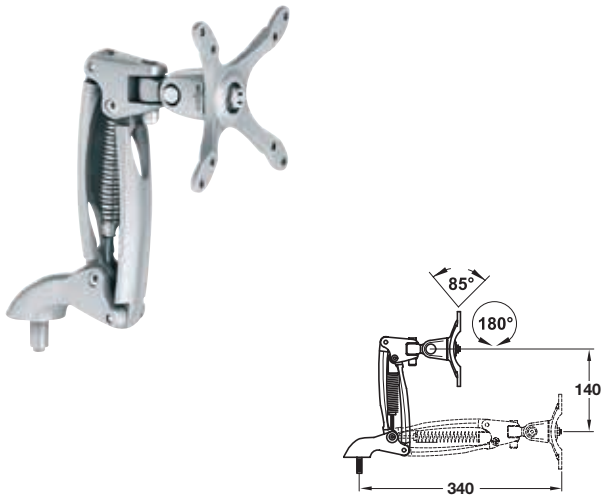
Long arm with height adjustment



- > LCD swivel arm
- > Long arm with all movement with extension arm
- > Extension: 554.5 mm at full extension
- > Silver RAL 9006 die-cast aluminium
- > Silver
- > Order qty: 1 pc

Maximum screen weight	Spring	Cat. No.
3-5 kg	Standard	818.11.903

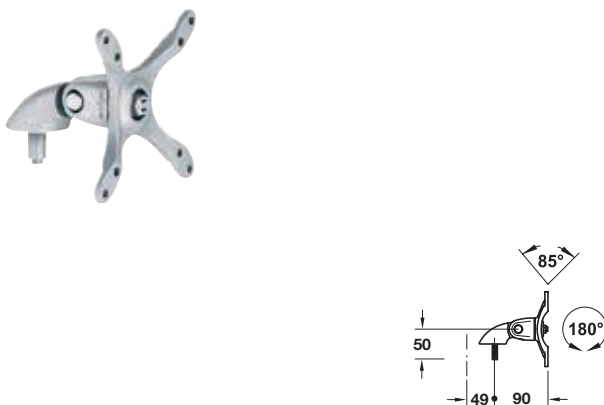
Mid arm with height adjustment



- > LCD swivel arm
- > Medium arm with all movement
- > Extension: 353.5 mm at full extension
- > Silver RAL 9006 die-cast aluminium
- > Order qty: 1 pc

Maximum screen weight	Spring	Cat. No.
3-5 kg	Standard	818.11.942
5-7.5 kg	Heavy duty	818.11.952

Short arm without height adjustment



- > For LCD screens
- > Extension: 80 mm
- > Swivel and tilt only, no spring included
- > Silver RAL 9006 die-cast aluminium
- > Order qty: 1 pc

Maximum screen weight	Cat. No.
3-5 kg	818.11.976
5-7.5 kg	818.11.977



Post and post base are not included and must be ordered separately, shown on page 12.45



ellipta swivel arms with standard or heavy duty spring to support LCD screens. Standard = 3-5 kg to suit most 15-17" flat screens. Heavy duty = 5-7 kg to suit most flat screens up to 24"

## Econo post base



- > For through mounting in standard outlet hole up to Ø 80 mm
- > Removable desk clamp for desktop thickness 14-70 mm
- > Height adjustment by sliding bracket
- > Base Ø 70 mm
- > Silver RAL 9006 die-cast aluminium
- > Order qty: 1 pc



Order post separately, shown on this page

	Cat. No.
Through-fix	818.10.921

## Post



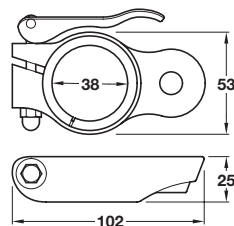
- > Pole Ø 37 mm
- > Base Ø 70 mm
- > Silver RAL 9006 die-cast aluminium
- > Order qty: 1 pc



Order post base, arm and clamps separately, shown on this page

Length	Cat. No.
260 mm	818.10.901

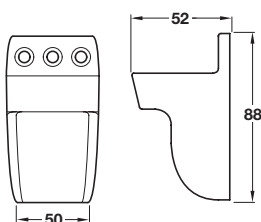
## Sliding clamp



- > Use to attach monitor arm to post
- > For single screen applications
- > Lever clamp action allows for quick height adjustment
- > Plastic sleeve protects the mounting post
- > Silver RAL 9006 die-cast aluminium
- > Order qty: 1 pc

	Cat. No.
Single sliding clamp	818.11.969

## Wall mounting bracket



- > To attach ellipta arm directly to the wall
- > Silver (RAL 9006) die-cast aluminium
- > Order qty: 1 pc

	Cat. No.
Bracket	818.11.980



# IZON BY ACCURIDE

A premium range of ergonomic solutions for the work place.



CPU holders; shown on pages 12.46-47



Articulating keyboard and arm sets; shown on page 12.49

- > Comfort - Optimum operator posture and comfort
- > Style - Complements the aesthetics of the workplace
- > Function - Easy to use and adapt to each individual

12

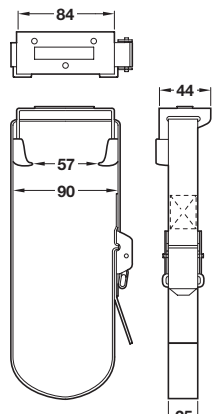
Office Furniture Fittings: Desk Fittings



Standard and deluxe keyboard trays; shown on page 12.48



## CPU holder, fixed



- > Fixes directly to the underside of the desk taking the CPU off the desk and off the floor away from feet, dust and static
- > For CPU with up to 1630 mm perimeter
- > Rubber feet to protect CPU case
- > 2x 25 mm wide straps easily tightened using patented over centre buckle
- > Powder coated black steel body, black steel buckles and nylon straps
- > Fixings and fitting instructions included
- > Order qty: 1 pc



Finish	Cat. No.
Black	639.74.330
Silver	639.74.930

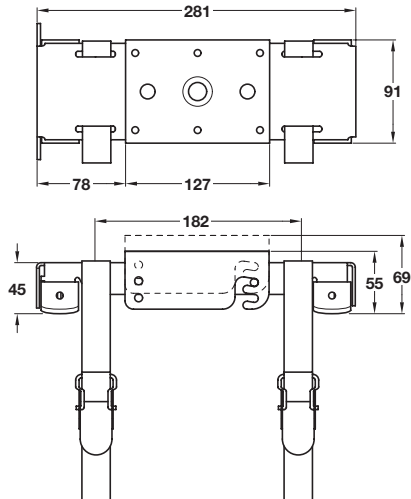
TCH TECHNOLOGY 2022, © Hafele U.K. Ltd 2022. Dimensional data not binding. We reserve the right to alter specifications without notice.



## CPU holder, fixed



- > The CPU holder fixes directly to the underside of the desk using a bracket. Can be installed and dismantled easily and quickly using a locating pin release mechanism
- > Ideal for height adjusting desk systems-the CPU moves with the desk top and cable stretching is avoided
- > Soft gripper feet hold the CPU firmly without risk of damage
- > Over centre buckle gives easy and secure tightening of straps
- > Steel body with nylon straps
- > Order qty: 1 pc

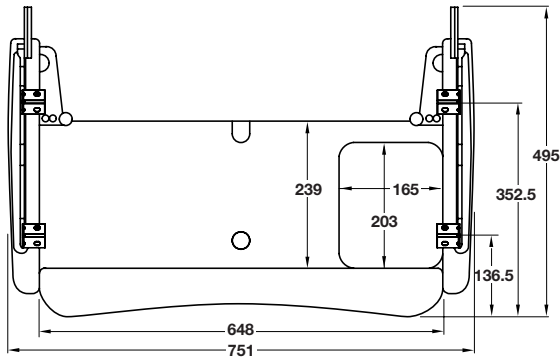


Finish	Cat. No.
Silver	639.74.920

Standard keyboard tray



- > Single extension
- > Concealed ball bearing runner with "hold in" and "hold out" feature
- > 34 kg carrying capacity
- > Variable height brackets
- > Removable foam rest with heavy duty lycra® to accommodate any size keyboard
- > Ergonomic design
- > Unhanded mouse surface
- > Cable management fixtures in back of tray
- > Black powder coated steel
- > Order qty: 1 pc



Fixing positions at 5.5 mm intervals

	Cat. No.
Keyboard tray	632.52.300

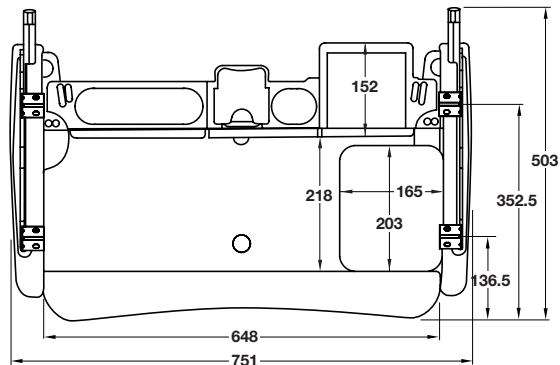
12

Office Furniture Fittings: Desk Fittings

Deluxe keyboard tray



- > Full extension
- > Concealed ball bearing "hold in" and "hold out" and intermediate hold feature
- > 45 kg carrying capacity
- > Variable height brackets
- > Adjustable keyboard angle:
  - 7 degrees negative
  - 3.5 degrees negative
  - 0 degrees
- > Additional storage compartments for:
  - Pencils and pens
  - CD's and floppy discs
  - Paper clips and other small items
  - Post-it notes® and business cards
- > Removable gel palm rest with heavy duty lycra® to accommodate any size keyboard
- > Unhanded mouse surface
- > Cable management fixtures in the back of tray
- > Black powder coated steel
- > Order qty: 1 pc



Fixing positions at 5.5 mm intervals

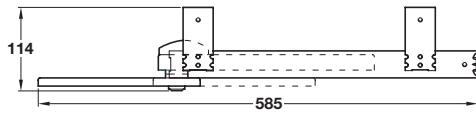
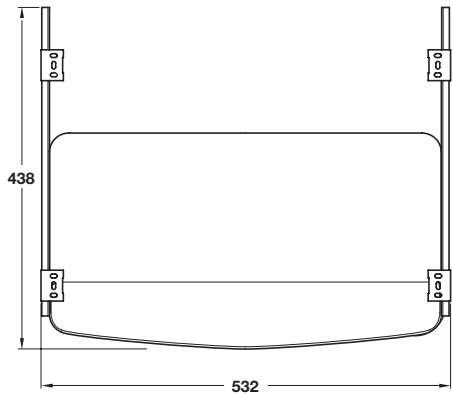
	Cat. No.
Keyboard tray	632.52.310

TOH TECHNOLOGY 2022, © Hafele U.K. Ltd 2022. Dimensional data not binding. We reserve the right to alter specifications without notice.

IZON® Pull out keyboard tray



- > Takes the keyboard off the desk to maximise space and put the user at the correct distance from the display screen
- > Maximum load carrying capacity 20 kg
- > Set includes keyboard tray with black foam palm rest and swivel mounted mouse surface for left or right hand use
- > Fixes to the underside of the desk and mounted on steel runners
- > Tray and mouse surface foil wrapped MDF
- > Fixings and fitting instructions included
- > Order qty: 1 pc

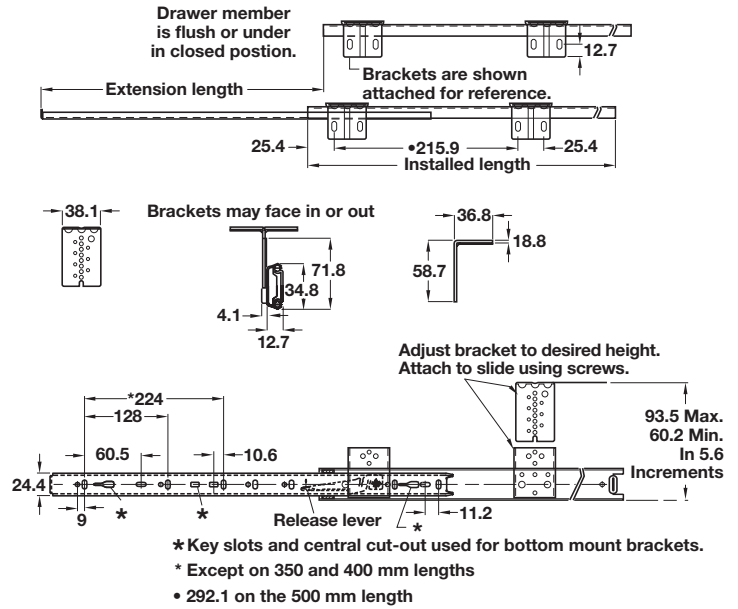
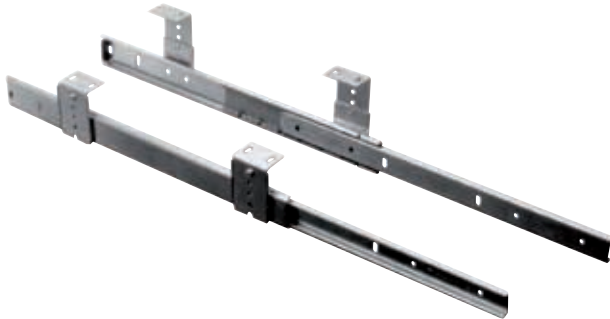


Finish	Cat. No.
Black	632.56.300

TCH TECHNOLOGY 2022. © Häfele U.K. Ltd 2022. Dimensional data not binding. We reserve the right to alter specifications without notice.

# SHELF RUNNERS AND TURNTABLES

## Accuride 2109, keyboard shelf runner, single extension



- > For computer keyboard, printer shelf and pencil drawer applications
- > Load carrying capacity up to 35 kg (see below for individual runner capacity)
- > Height adjustable brackets included
- > Front disconnect
- > Hold-in and hold-out
- > Optional clip-on bracket for bottom mounting, see table below for ordering information (bracket option not available for 350 mm length runner)
- > Bright zinc-plated steel
- > Order qty: 1 kit

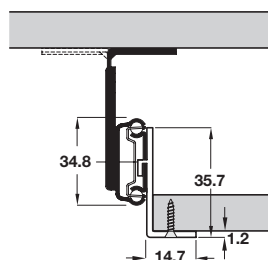
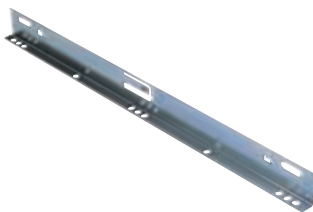
Single Extension

TESTED  
50,000  
CYCLES

Fixings included

Installed length	Extension length	Load capacity	Bright
350 mm	260 mm	35 kg	422.14.935
400 mm	281 mm	30 kg	422.14.940
450 mm	331 mm	30 kg	422.14.945
500 mm	376 mm	25 kg	422.14.950

### Mounting brackets



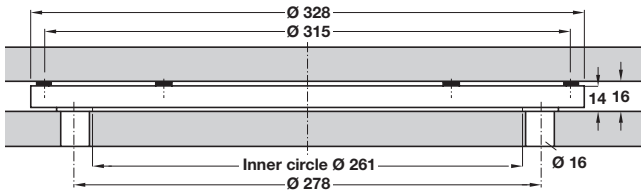
- > Carrying capacity as per runner
- > Optional full length right-angle bracket
- > Easily clips onto runner
- > For bottom mounting of drawers or shelves
- > Bright zinc-plated steel
- > Order qty: 1 pair

To suit runner length	Bright
400 mm	422.42.940
450 mm	422.42.945
500 mm	422.42.950

Turntable, rotates 360°



- > Large centre aperture provides easy access for cables
- > Ball cage assembly ball bearing mounted, with non-slip rubber layers
- > For setting up or screw fixing
- > Rubber layer can be removed and screw holes used instead, for fixing to the surface
- > Black zinc alloy
- > Order qty: 1 pc



Overall Ø	Load capacity	Cat. No.
Ø 328 mm	300 kg	646.27.347

Turntable 360°



- > Ball cage assembly ball bearing mounted, with non-slip rubber layers
- > For setting up or screw fixing
- > Rubber layer can be removed and screw holes used instead, for fixing to the surface
- > Black plastic
- > Order qty: 1 pc

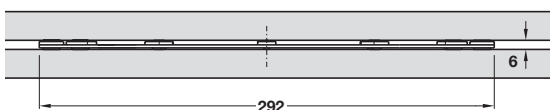


Overall Ø	Load capacity	Cat. No.
Ø 230 mm	150 kg	646.19.318

Turntable, 360°



- > Ball cage assembly roller bearing mounted
- > Black plastic
- > Order qty: 1 pc



Overall Ø	Load capacity	Cat. No.
Ø 292 mm	100 kg	646.19.381

TCH TECHNOLOGY 2022. © Häfele U.K. Ltd 2022. Dimensional data not binding. We reserve the right to alter specifications without notice.



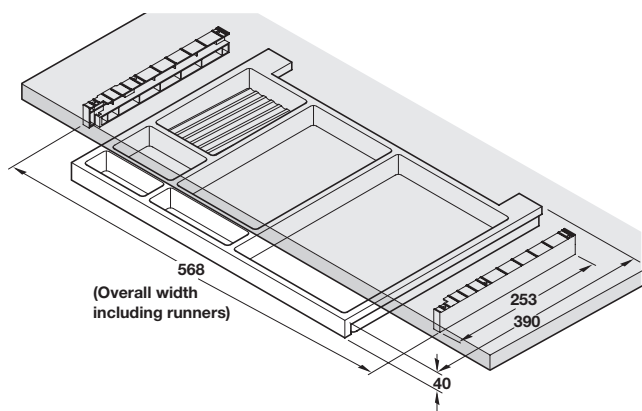
**Extending pencil tray**



- > For screw mounting beneath the desk top
- > Compartments allowed for pens, pencils and documents up to A4
- > Runner extension 320 mm, giving good access to all compartments
- > Mounting template and fixing materials included
- > Plastic
- > Order qty: 1 set

12

Office Furniture Fittings: Desk Fittings



Finish	Cat. No.
Black	429.57.308
Light grey	429.57.504

TOH TECHNOLOGY 2022, © Häfele U.K. Ltd 2022. Dimensional data not binding. We reserve the right to alter specifications without notice.



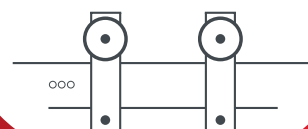


# SLIDING DOOR SYSTEMS AND SPECIFICATION SERVICE

## FREE Sliding Specification Service

At Häfele we have the largest range of sliding door gear in the UK as well as a FREE sliding specification service which makes specifying and ordering both quick and painless.

**HÄFELE**  
SLIDING DOOR  
SPECIFICATION



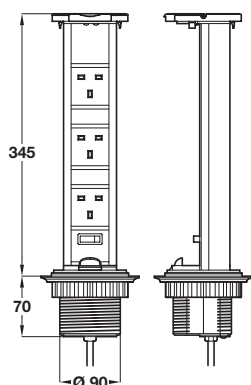
Order online [www.hafele.co.uk/sliding-door-specification](http://www.hafele.co.uk/sliding-door-specification)  
or contact us on **0800 171 2908** to discuss your requirements.

# VERTICAL POWERDOCKS

Comfortable and simple to use with a specifically designed handle to give access to sockets and then neatly slots away to be hidden from view.



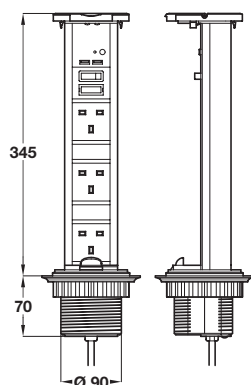
## Standard vertical powerdock



- > Recommended for use in kitchens, home studies and bedrooms
- > Retracts into worktop when not in use
- > IP54 rated when closed: Designed to withstand splashes, when closed, with inbuilt water channels that filter water away
- > With master switch
- > 3x UK 13 amp sockets
- > Requires a Ø 92 mm drilled hole
- > Supplied with a 2.0 m mains cable with 13A moulded plug
- > Order qty: 1 pc

Powerdock	Top	Cat. No.
Black/aluminium	Black plastic	822.82.321

## Vertical powerdock with USB connectors



- > IP54 rated when closed
- > With neon master switch
- > 3x UK 13 amp sockets
- > 2x USB connectors
- > Max. 2400mA output
- > Recommended for use in kitchens, home studies and bedrooms
- > Requires a Ø 92 mm drilled hole
- > Supplied with a 2.5 m mains cable with a 13A moulded plug
- > Order qty: 1 pc

Powerdock	Top	Cat. No.
Black/aluminium	Chrome	822.71.222
Black/aluminium	Stainless steel	822.71.022

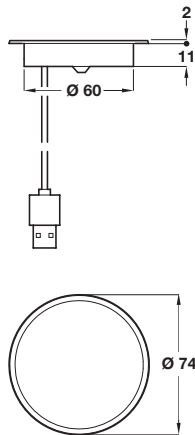
# QI WIRELESS SURFACE CHARGER

This wireless charging transmitter can be installed into any desk, meeting table or other work surface.

Enjoy the convenience of being able to charge smart-phones and tablets without being tethered or having the inconvenience of finding a power point.



## Wireless surface charger with UK USB plug set



- > For installation in furniture
- > Fits into Ø 60 mm hole in work surface
- > Wirelessly charges Qi enabled devices
- > Set includes:
  - Wireless surface charger, plastic/aluminium
  - 2 m USB cable
  - Fixing bolt, nuts and plate
  - UK charging adaptor with USB socket
- > Order qty: 1 set

### Set components:



Finish	Cat. No.
Black with silver rim	822.64.039

TCH TECHNOLOGY 2022. © Häfele U.K. Ltd 2022. Dimensional data not binding. We reserve the right to alter specifications without notice.

# DOCKING DRAWER TRIO SERIES

In-drawer outlets, recommended for use in any drawer or piece of furniture, kitchens, bathrooms, home offices and bedrooms.



- > Powering outlets specifically designed to power devices such as hairdryers, curling irons or hair straighteners, stand mixers and more. Fast charging USB ports to charge devices such as mobile phones, tablets, fitness trackers, electric toothbrushes, portable speakers and smart speakers
- > Style Drawer Trio outlets feature an interlocking safety rated thermostat that cuts power to the outlet when temperatures rise, to ensure safe operation
- > Compact design allows Docking Drawer outlets to be installed into just about any type of cabinet, either at the beginning, middle or end of any project
- > CE and RCM certified. Assemblies are cycle tested over 500,000 times to ensure a long life of safe operation

## Docking drawer Trio series



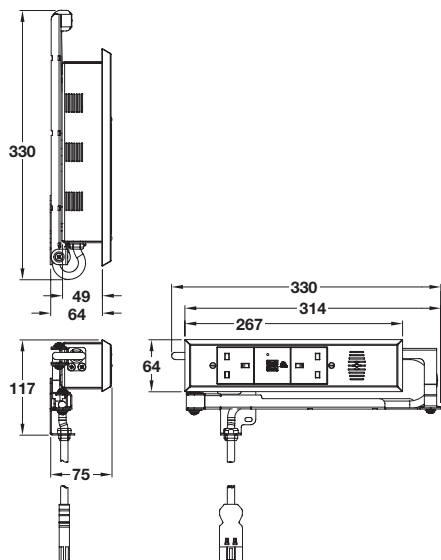
- > Cabinet specifications:
  - Min. drawer box width:  $\geq 381$  mm
  - Min. space behind drawer box: 51 mm
  - Min. interior drawer box height: 75 mm
- > 2x UK sockets with built-in safety rated thermostat
  - 10 amps per socket @ 240 VAC
  - Combined max. current 10 amps
 Integrated safety rated thermostat cuts power to the outlet in the event that the surrounding temperature exceeds 50°C
- > 2x USB 2.0 fast charging USB ports
  - Max. 2.1 amps per USB socket (total shared between ports)
  - Max. input rating 450 mA @ 240 VAC 50/60 Hz
- > Supplied with a 1.6 m mains cable with a 13A moulded plug
- > Order qty: 1 pc



Black



White



Finish	Cat. No.
Black	833.53.342
White	833.53.343



# DOCKING DRAWER DUO SERIES

In-drawer outlets, recommended for use in desks and closets, kitchens, home offices and bedrooms.



- > Fast charging USB ports to charge devices such as mobile phones, tablets, fitness trackers, electric toothbrushes, portable speakers and smart speakers
- > Compact design allows Docking Drawer outlets to be installed into just about any type of cabinet, either at the beginning, middle or end of any project
- > CE and RCM certified. Assemblies are cycle tested over 500,000 times to ensure a long life of safe operation

## Docking drawer Duo series



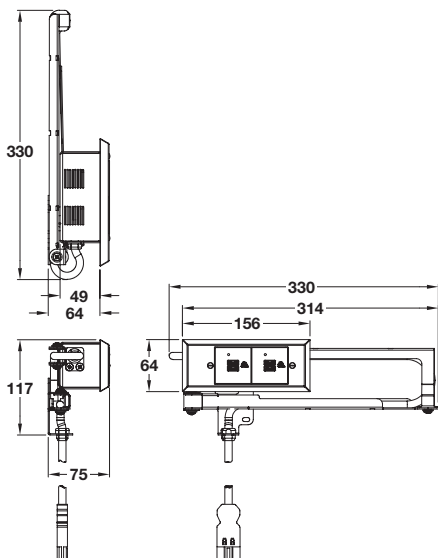
- > Cabinet specifications:
  - Min. drawer box width:  $\geq 381$  mm
  - Min. space behind drawer box: 51 mm
  - Min. interior drawer box height: 75 mm
- > 2x USB 2.0 fast charging USB ports
  - Max. 2.1 amps per USB socket (total shared between ports)
  - Max. input rating 450 mA @ 240 VAC 50/60 Hz
- > Supplied with a 1.6 m mains cable with a 13A moulded plug
- > Order qty: 1 pc



Black



White



Finish	Cat. No.
Black	833.53.340
White	833.53.341

TCH TECHNOLOGY 2022. © Häfele U.K. Ltd 2022. Dimensional data not binding. We reserve the right to alter specifications without notice.

# HAWA-CONCEPTA 25/30/40/50

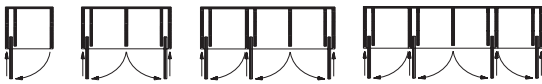
Soft close pivot sliding system for high quality cabinet applications and wall recesses. The omission of a floor channel offers optimum flexible room utilisation with no obstructions. The clever design means installation is simple and straightforward, with all adjustments carried out from the front, meaning no access panels are required.

- > The door is pulled into the pocket automatically
- > The unique scissor technology allows large and heavy doors to be implemented
- > Suitable for room partitioning solutions as there is no need for a base panel and top panel in wall recesses
- > Sets are suitable for left and right hand use
- > Wall recesses are concealed without the need for a cabinet
- > All adjustments are carried out from the front
- > Range:
  - Max. door weight **25/30/40/50 kg**
  - Door height from **1250-2850 mm** depending on set use
  - Door width from **300-900 mm**
  - Door panel thickness from **19-30 mm**, rebated **30-50 mm**

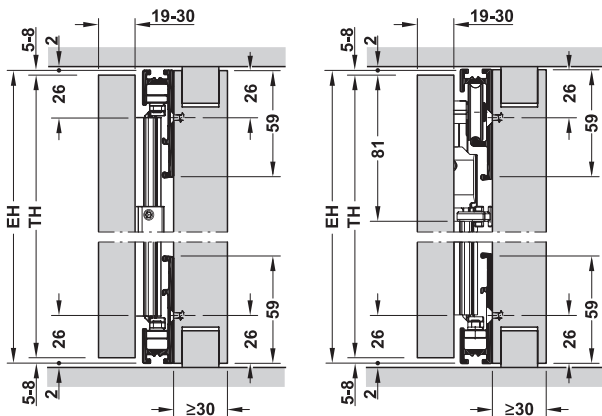


Take care as the pull out unit is extremely sensitive - Please read fitting instructions carefully

### Application

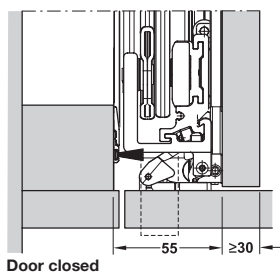


### Door in wall recess

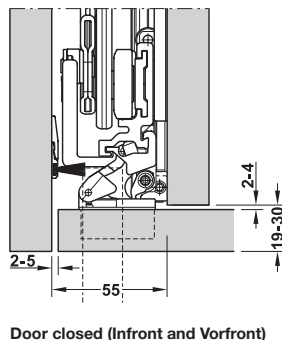


Concepta 25/30  
EH = installation height

Concepta 40/50  
TH = door height

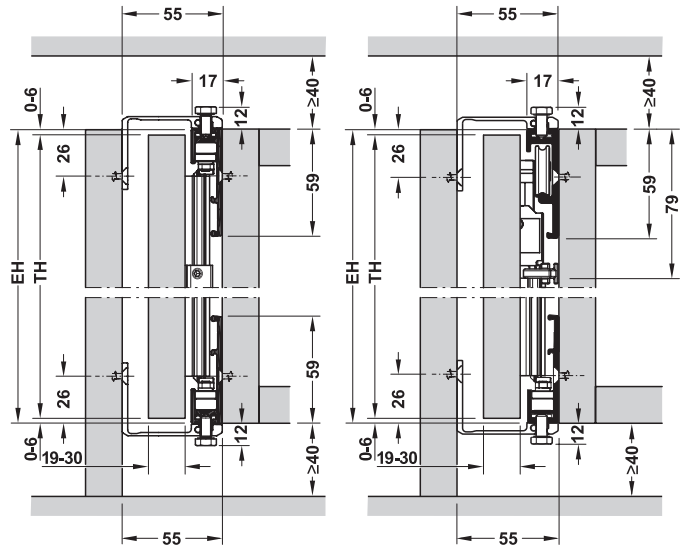


Door closed



Door closed (Infront and Vorfrent)

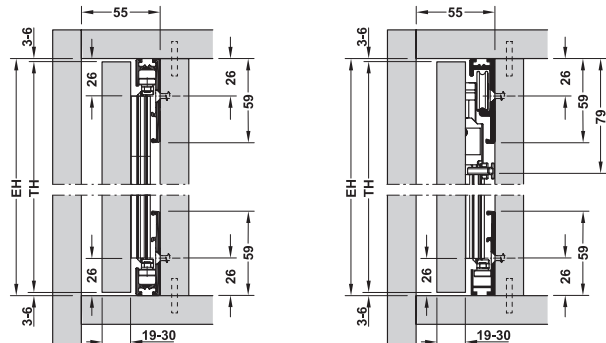
### Door overlay on base panel and cabinet top panel (Vorfrent)



EH = installation height  
Concepta 25/30 with  
Connector width 55 mm

TH = door height  
Concepta 40/50 with  
Connector width 55 mm

### Inset door (Infront)



EH = installation height  
Concepta 25/30

TH = door height  
Concepta 40/50

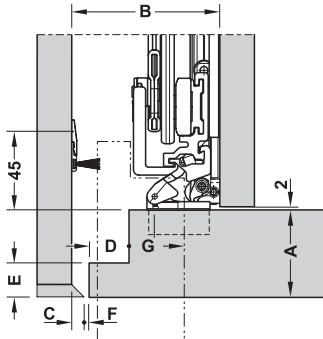


Planifit door straightening system must be used with HAWA-Concepta to add rigidity to wooden doors, must be ordered separately, shown on pages 12.66-67

TOH TECHNOLOGY 2022, © Häfele U.K. Ltd 2022. Dimensional data not binding. We reserve the right to alter specifications without notice.

# HAWA-CONCEPTA 25/30/40/50 INSTALLATION INFORMATION

## Installation



### Gap width F

Dim. mm	
F	G
2	29.5
3	28.5
4	27.5
5	26.5

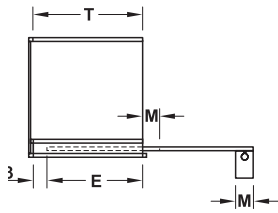
**Rebate dimension**  
The rebate allows the use of wooden doors with thickness of >30 - 50 mm

Dim. mm				
A	B	C	D	E
19-30	55	0	0	0
33	58	0	3	3
36	63	2	6	5
39	67	3	9	8
42	70	3	12	11
45	75	5	15	14
48	79	6	18	17
50	83	7	21	19



Take care as the pull out unit is extremely sensitive - Please read fitting instructions carefully

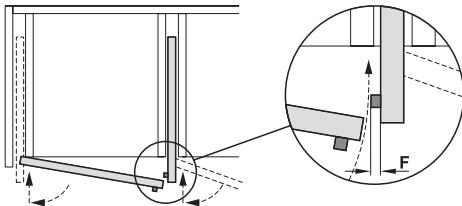
## Installation dimensions



$T = TB - M + 73 \text{ mm}$   
 $E = T - 73 \text{ mm}$   
 TB = door width  
 TH = door height  
 M = door handle width  
 E = Max. push-in depth measured from the inner side of closed door  
 T = Max. permitted distance for mounting the fitting measured from the inner side of closed door to rear edge of fitting

For deeper furniture cabinets: Install fitting at dim. T measured from the inner side of closed door

If the doors of adjoining cabinets coincide when one door is opened due to the design, then the door handle height must be taken into consideration accordingly. We recommend mounting inset handles or flush pull handles on site.



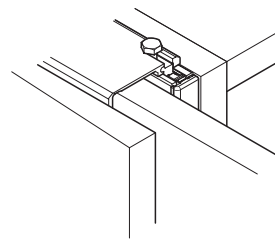
### Max. door handle height with adjoining cabinets

Door thickness mm	Door handle height F mm
<19	13.5
<22	10
<25	5
<50	2

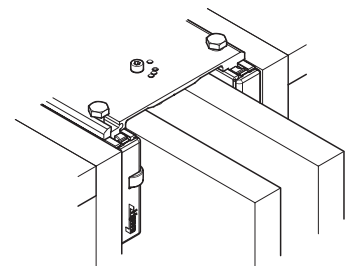
## Connector connecting profile

Connecting profile for quick and easy installation of pivot sliding doors that overlay the base panel and cabinet top panel (Vorfront):

- > Join cabinet side panels/cabinets laterally
- > Slide connecting profile into the running and guide tracks from the front and secure with screws from above
- > Height deviations of the external side or cabinets are compensated by the connector by up to  $\pm 1.5 \text{ mm}$



Connector width 55 mm:  
Recess for 1 pivot sliding door,  
door thickness 19 - 30 mm

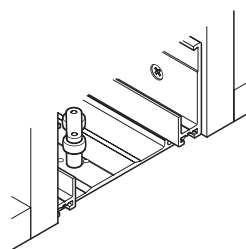


Connector width 110 mm:  
Recess for 2 pivot sliding doors,  
door thickness 19 - 28 mm

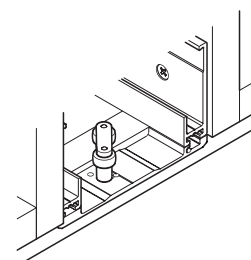


## Kitchen constructions with and without fixed plinth

The same connecting profile can be used at top and at bottom for construction with adjusting feet. A short connecting profile (26 mm) is available for version with fixed plinth.



**Construction with adjusting feet**  
**Profile at top and bottom:**  
**Connector width 110 mm,**  
**length 650 or 900 mm**



**Construction with fixed plinth**  
**Profile at top:**  
**Connector width 110 mm,**  
**length 650 or 900 mm**  
**Profile at bottom:**  
**Connector width 110 mm,**  
**length 26 mm**

## Load bearing capacity

### Concepta 25 – door weight in kg

Door height mm	Door width mm								
	300-350	400	450	500	550	600	650	700	750
1850	25	25	25	25	25	25	24	23	22
1800	25	25	25	25	25	25	23	22	21
1750	25	25	25	25	25	24	22	21	21
1700	25	25	25	25	25	24	21	21	20
1650	25	25	25	25	25	23	21	20	19
1600	25	25	25	25	24	22	20	19	18
1550	25	25	25	25	24	21	19	18	18
1500	25	25	25	25	23	21	18	18	17
1450	25	25	25	24	22	20	18	17	16
1400	25	25	25	24	21	19	17	16	15
1350	25	25	24	23	21	18	16	16	15
1300	25	25	24	22	20	18	15	15	14
1250	25	24	23	21	19	17	15	14	13

### Concepta 40 – door weight in kg

Door height mm	Door width mm							
	300-550	600	650	700	750	800	850	850
2500	40	40	40	40	40	40	40	40
2450	40	40	40	40	40	40	40	39
2400	40	40	40	40	40	40	40	38
2350	40	40	40	40	40	40	39	37
2300	40	40	40	40	40	40	38	36
2250	40	40	40	40	40	39	37	35
2200	40	40	40	40	40	38	36	34
2150	40	40	40	40	39	37	35	33
2100	40	40	40	40	38	36	34	32
2050	40	40	40	39	37	35	33	31
2000	40	40	40	38	36	34	32	30
1950	40	40	39	37	35	33	31	29
1900	40	40	38	36	34	32	30	28
1851	40	39	37	35	33	31	29	27

### Concepta 30 – door weight in kg

Door height mm	Door width mm						
	300-600	650	700	750	800	850	900
2300	30	30	30	30	29	27	26
2250	30	30	30	30	28	27	25
2200	30	30	30	29	27	26	24
2150	30	30	30	29	27	25	24
2100	30	30	30	28	26	25	23
2050	30	30	29	27	25	24	23
2000	30	30	29	26	25	23	22
1950	30	29	27	26	24	23	21
1900	30	29	27	25	23	22	21
1851	30	28	26	24	23	21	20

### Concepta 50 – door weight in kg

Door height mm	Door width mm						
	300-600	600	700	750	800	850	900
2750-2850	50	50	50	50	50	50	50
2700	50	50	50	50	50	50	49
2650	50	50	50	50	50	50	48
2600	50	50	50	50	50	49	48
2550	50	50	50	50	50	48	47
2500	50	50	50	50	49	48	46
2450	50	50	50	49	48	47	45
2400	50	50	50	48	48	46	45
2350	50	50	49	48	47	45	44
2301	50	49	48	47	46	45	43

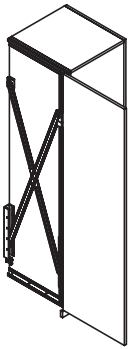


Take care as the pull out unit is extremely sensitive - Please read fitting instructions carefully

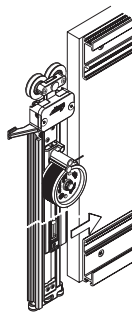
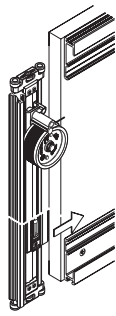


Planofit door straightening system must be used with HAWA-Concepta to add rigidity to wooden doors, must be ordered separately, shown on pages **12.66-67**

## HAWA-Concepta 25/30/40/50, soft closing, for wood



HAWA-Concepta 25/30



HAWA-Concepta 40/50

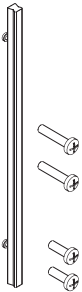
- > HAWA-Concepta includes scissor mechanism, upright profile, fully adjustable hinges, adjustable end stops and brush seal. The Concepta 40/50 is supplied with a two-wheeled trolley for extra support.
- > Adjustments are made from the front
- > All components are screwed onto the intermediate panel
- > The same set can be used for either right or left applications
- > HAWA-Concepta fitting sets come with installation drawings, available separately on request:  
HAWA-Concepta 25/30 - drawing reference 25737  
HAWA-Concepta 40/50 - drawing reference 25738
- > Order qty: 1 set (per door)

Set	For door height	Max. door weight	Cat. No.
25	1250-1850 mm	25 kg	408.30.590
30	1851-2300 mm	30 kg	408.30.591
40	1851-2500 mm	40 kg	408.30.592
50	2301-2850 mm	50 kg	408.30.593



Take care as the pull out unit is extremely sensitive - Please read fitting instructions carefully

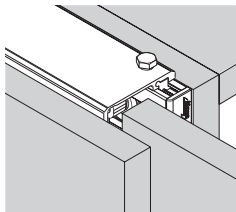
## Door handle, for wood



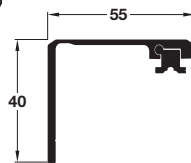
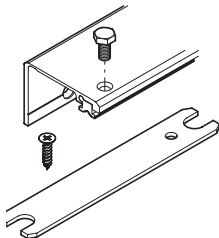
- > For wood door thickness 19 mm
- > Anodised aluminium
- > Order qty: 1 pc

Length	Cat. No.
400 mm	408.30.980

## Connecting bracket, for wood



Connector 55 mm:  
Recess for one pivot/  
slide-in door made of  
wood or glass

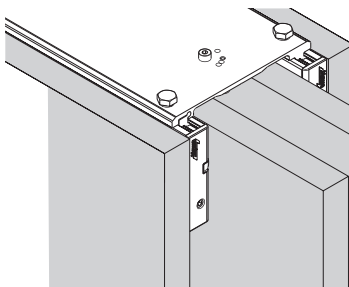


- > For external or cabinet body connections
- > Single bracket - maximum door thickness 30 mm
- > Please note: brackets are supplied individually
- > Order two brackets if doors are to overlay top and bottom panel
- > Predrilled
- > Anodised aluminium
- > Order qty: 1 pc

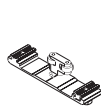


Length	Cat. No.
650 mm	408.30.091
900 mm	408.30.092

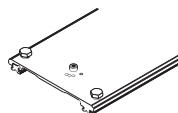
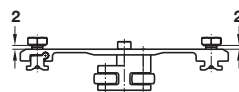
## Connecting bracket, for wood



Connector 110 mm:  
Recess for two pivot/  
slide-in doors made of  
wood



408.30.095



408.30.093/4

- > For cabinet body connections, for 2 doors
- > Double bracket - maximum door thickness 28 mm
- > Order 408.30.095 separately when using the 110 mm connector (not required for single doors)
- > Please note: brackets are supplied individually.
- > Order two brackets if doors are to overlay top and bottom panel
- > Anodised aluminium
- > Installation drawing available separately on request:  
Drawing reference 23227
- > Order qty: 1 pc



Length	Cat. No.
26 mm	408.30.095
650 mm	408.30.093
900 mm	408.30.094

TCH TECHNOLOGY 2022. © Häfele U.K. Ltd 2022. Dimensional data not binding. We reserve the right to alter specifications without notice.

# HAWA-FOLDING CONCEPTA 25

Soft close folding and pivot sliding system for bi-folding cabinet pocket doors. Flush cabinet fronts can be fully opened from end to end to give complete access to cabinet contents but are also completely concealed once doors are opened.

- > Based on the HAWA-Concepta the system is for bi-folding pocket doors
- > Two pairs of folding doors enable cabinet fronts up to 2800 mm in width to be stored in the cabinet
- > Opened: free access to the entire cabinet front
- > Closed: flush with the adjacent areas
- > The folding door pair can be pushed in fully flush with the external side
- > Range:
  - Max. door weight **25 kg** (per pair of panels 50 kg)
  - Door width **300-700 mm**
  - Door height **1250-2600 mm**
  - Door thicknesses **19-26 mm**
- > Features:
  - Low slide-in loss of 73 mm in the cabinet depth
  - Continuous gap pattern and uniform front designs, also in combination with HAWA-Concepta 25/30/40/50 and pivot doors
  - Room high designs without a cabinet base allow for recess enclosures and walk-in cabinets with uninterrupted flooring
  - Cabinet designs from worktop to ceiling are possible
  - All adjustments are made from the front
  - Integrated cabinet body and side connectors simplify the installation of cabinets with overlaying fronts
  - Unique scissor technology prevents any jamming when folding and sliding

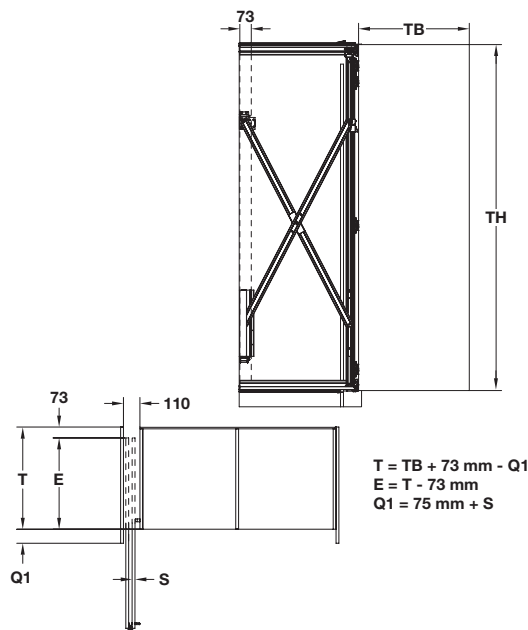


12

Office Furniture Fittings: Desk Fittings



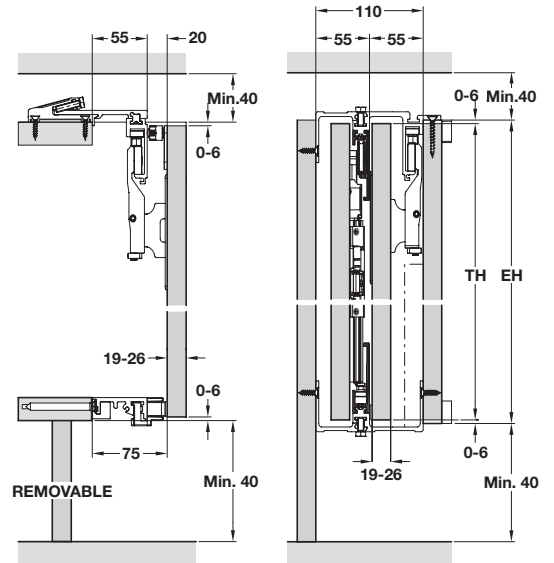
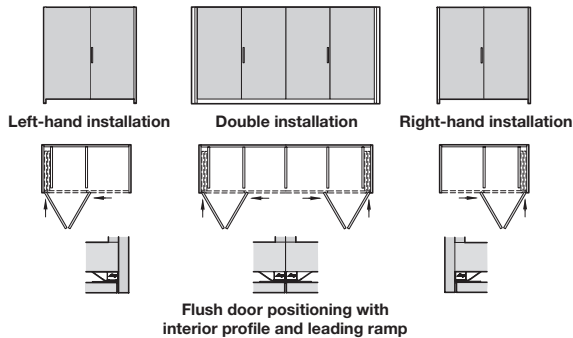
**!** Take care as the pull out unit is extremely sensitive - Please read fitting instructions carefully  
Doors must all be equal in size



Planofit door straightening system must be used with HAWA-Concepta to add rigidity to wooden doors, must be ordered separately, shown on pages **12.66-67**

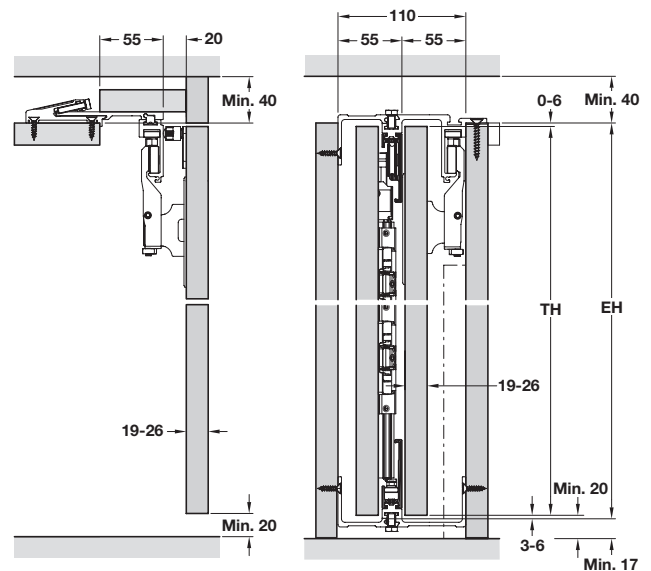
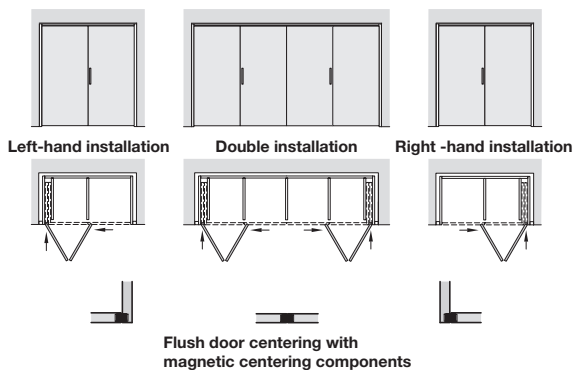
**Design with an overlaying cabinet front**

- > The optionally available base profile Cat. No. 408.30.970, enables the design of simple cabinet bodies with an overlaying cabinet front
- > The leading ramp included with the base profile set positions the doors flush with adjacent areas



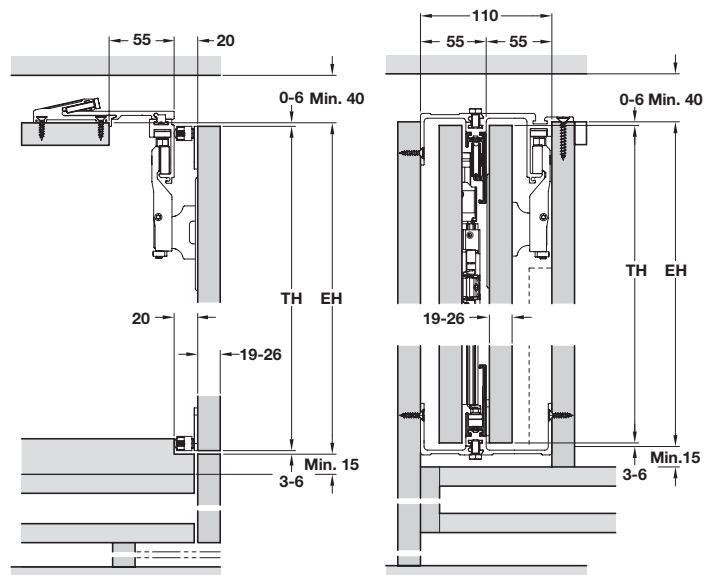
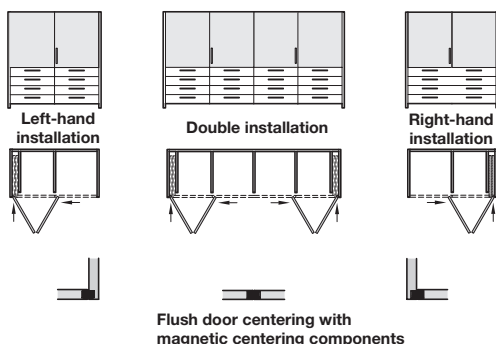
**Design with recess cover without a base and with a ceiling connection**

- > Room high cabinet designs without a base allow to close off recesses with gaps of just 20 mm from door to floor and 40 mm from door to ceiling
- > It is also possible to design walk-in cabinets with uninterrupted flooring



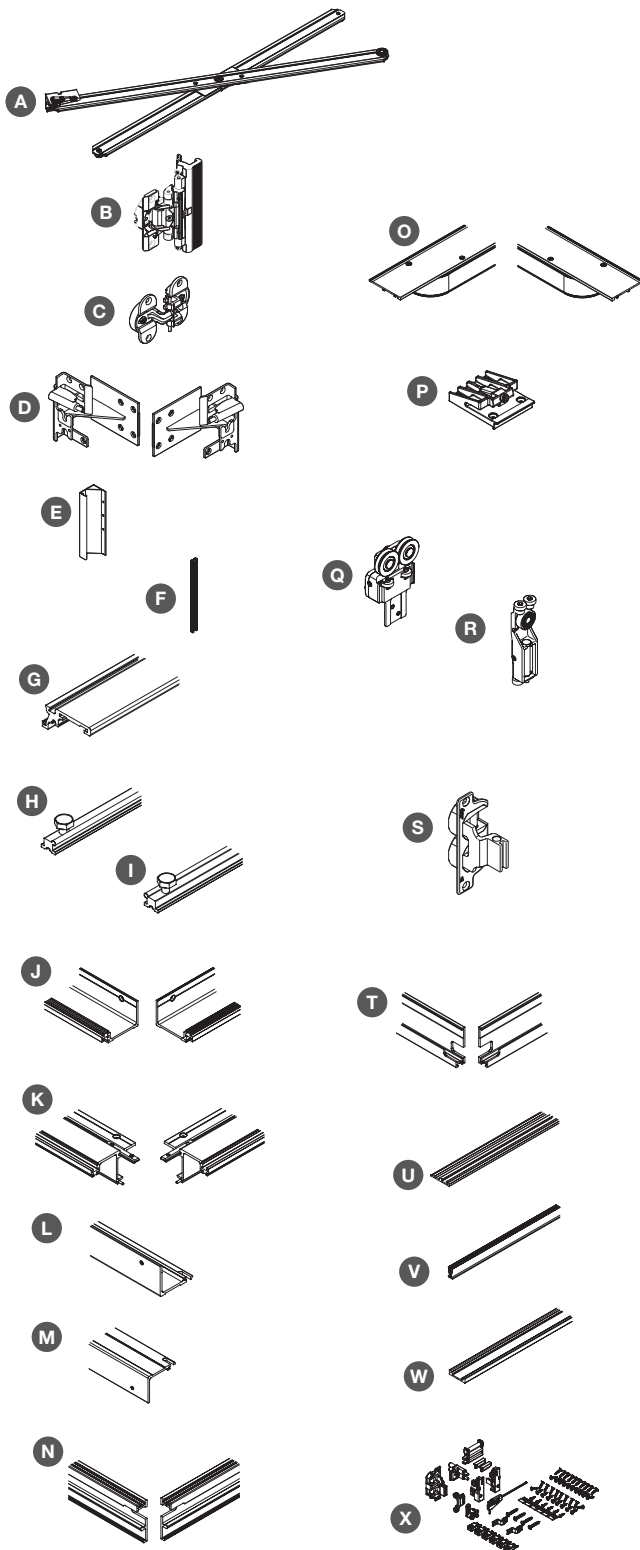
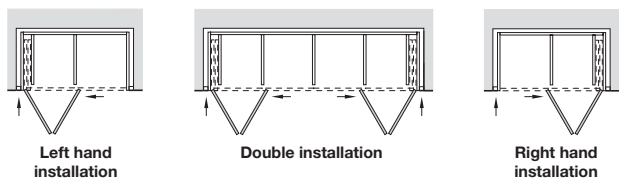
**Doors reaching from the worktop to the upper cabinet edge**

- > Design options with semi height bi-folding pocket doors reaching from the worktop to the ceiling demonstrate the extensive flexibility of this system



TCH TECHNOLOGY 2022. © Häfele U.K. Ltd 2022. Dimensional data not binding. We reserve the right to alter specifications without notice.

HAWA-Folding Concepta 25 fitting sets, soft closing



- > The HAWA-Folding Concepta set for one bi-folding door pair includes all the hardware components, scissor and top track
- > Sets are handed left and right and available for door heights of 1250-1850 mm and also 1851-2600 mm
- > Top track and bottom profile are fitted easily from the front
- > Set includes
  - A Pivot scissor assembly, galvanized steel, 900 or 1500 mm height
  - B Concealed hinge with soft closing mechanism, galvanized, 3 or 4 pcs
  - C Concealed centre hinge, dull nickel finish, 3 or 4 pcs
  - D Rear scissor bearing, galvanized steel, left or right hand
  - E Rear scissor guide, anodized aluminium, 1 pc
  - F Front scissor guide, anodized aluminium, 1 pc
  - G Upright, anodized aluminium, 1800 or 2500 mm height
  - H Connector connecting profile, bottom left/top right, 500 mm, anodised aluminium, 1 pc
  - I Connector connecting profile, bottom right/top left, 500 mm, anodised aluminium, 1 pc
  - J Interior connector, bottom, 645 mm, anodized aluminium, left or right hand
  - K Interior connector, top, 645 mm, anodized aluminium, left or right hand
  - L Exterior connecting profile, bottom left/top right, 645 mm, anodised aluminium, 1 pc
  - M Exterior connecting profile, bottom right/top left, 645 mm, anodised aluminium, 1 pc
  - N Top track, 750 mm, anodized aluminium, left or right hand
  - O Top track with curve, anodized aluminium, left or right hand
  - P Adapter for top track, plastic, anthracite-grey, 4 pieces
  - Q Trolley hanger, with 2 plastic-tyred ball bearing wheels, height-adjustable, dull nickel finish, 1 pc
  - R Trolley hanger, single wheeled, for folding door, dull nickel finish, 1 pc
  - S Concealed press-fit cup hinge, dull nickel finish, 1 pc
  - T Bottom guide channel, 750 mm, anodized aluminium, left or right hand
  - U Profile, black plastic, 1 pc, 1850 or 2620 mm height
  - V Guide brush, 10 mm height, black, 1 pc, 1850 or 2620 mm height
  - W Covering screen for panel clearance, anodized aluminium, 1870 or 2620 mm height
  - X Spare parts set, for 1250-1850 or 1851-2600 mm door height, handed
- > Order qty: 1 set

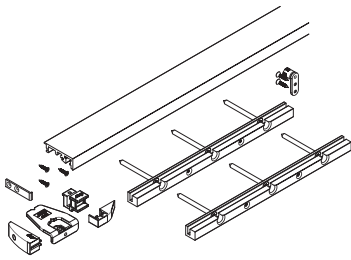
Take care as the pull out unit is extremely sensitive - Please read fitting instructions carefully

For door height	Left hand	Right hand
1250-1850 mm	408.31.008	408.31.009
1851-2600 mm	408.31.010	408.31.011

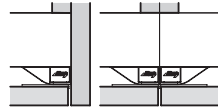


Planofit door straightening system must be used with HAWA-Concepta to add rigidity to wooden doors, must be ordered separately, shown on pages 12.66-67

## HAWA-Folding Concepta 25 channel



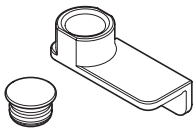
- > 1300 mm length profile with cover cap, leading ramp and drilling jig included
- > Leading ramp brings overlaying cabinet front flush into position
- > Anodised aluminium
- > Order qty: 1 set



Flush door positioning with base profile and leading ramp

	Cat. No.
Door positioning profile	408.30.961

## HAWA-Folding Concepta 25 magnetic centering device

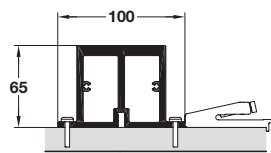
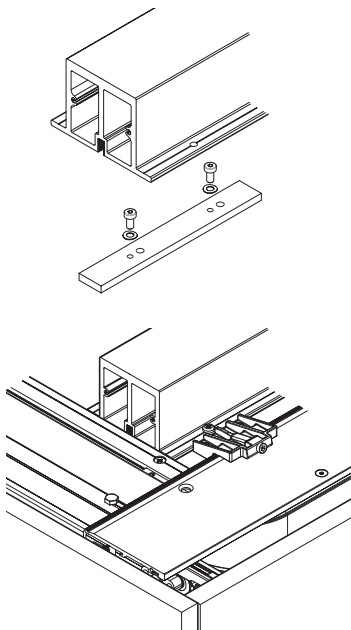


Flush door positioning with magnetic centering parts

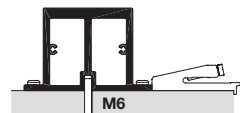
- > For centering doors on recess designs or walk-in cabinets without a cabinet base
- > Drilling jig included
- > Anodised aluminium
- > Order qty: 1 set

	Cat. No.
Magnetic centering device	408.30.229

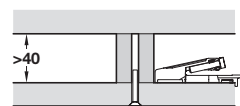
## HAWA-Folding Concepta 25 reinforcement profile and plate



Profile, pre assembled



Profile can be fitted retro spectively from below



Custom solution

- > For double systems of up to 2800 mm without a centre section by means of profile which reinforces the cabinet top ceiling
- > Max. deflection of the cabinet ceiling: Max. 2 mm
- > Connection plate included for stabilising the top track butt joint between left and right sections and keeps it flush
- > Anodised aluminium
- > Order qty: 1 pc



Important: The re-inforcing profile for the top rail is required for applications using two double doors on same cabinet without a centre section

	Cat. No.
Reinforcement profile and plate	408.30.970

## HAWA-Folding Concepta 25 adjustable stop bumper



- > Grey plastic
- > Order qty: 1 pc

	Cat. No.
Adjustable stop bumper	408.30.250



# PLANOFIT DOOR STRAIGHTENING SYSTEM

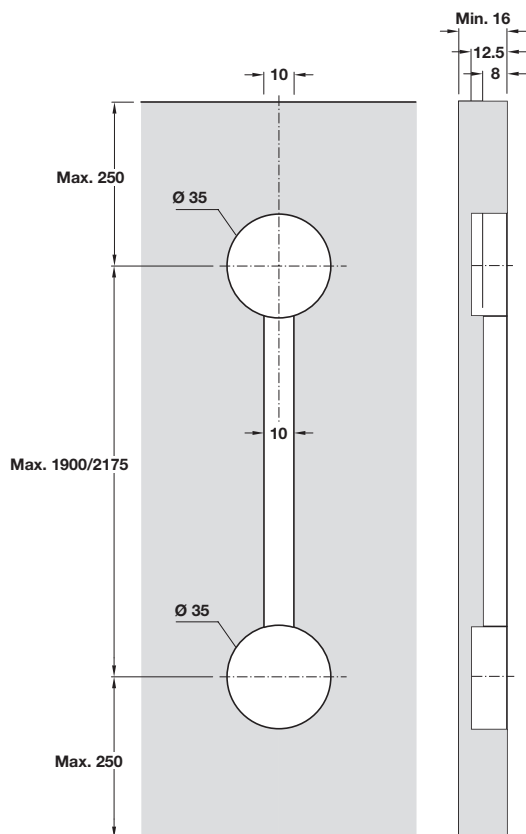
Planofit straightening system adds rigidity to wooden sliding or hinged doors from 16 mm thick and prevents warping in either direction. Ideal for large, heavy, sliding or hinged doors.

- > Note: Not suitable for hard wood
- > For door heights:
  - Up to **2400 mm** (Dimension between centre lines up to 1900 mm)
  - Up to **2650 mm** (Dimension between centre lines up to 2175 mm)
- > Planofit also straightens doors which have become warped over a period of time
- > Normally two straightening fittings are recommended per door panel
- > Installation: The fitting is inserted into: 2x boss drillings, Ø 35 mm, 12.5 mm deep, 1x groove 10 mm wide, 8 mm deep



12

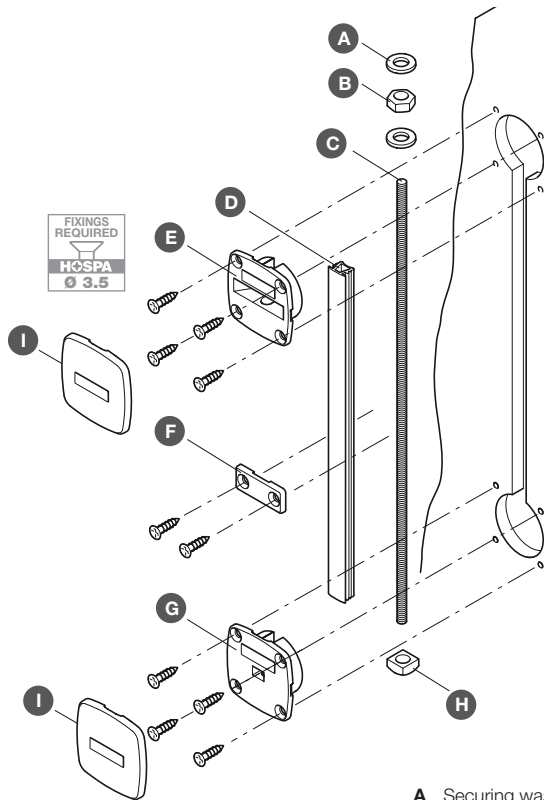
Office Furniture Fittings: Desk Fittings



- > Not suitable for hard wood
- > Please note when using this product with lacquered panels a pattern of the routed recesses may emerge on the front



## Planofit straightening system



- A Securing washer
- B Hexagonal nut
- C Threaded rod
- D Trim strip
- E Top tensioner
- F Retaining plate
- G Bottom tensioner
- H Square nut
- I Cover caps

- > For board thickness from 16 mm
- > For door heights up to 2400 or 2650 mm
- > We recommend installing 2 straightening fittings per door:  
Order 2 sets per door
- > 1 set comprises:
  - 2x Tensioners, bright zinc alloy
  - 1x Hexagonal nut
  - 2x Securing washers
  - 1x Square nut
  - 1x M6 Threaded rod, 1920 or 2195 mm long, bright steel
  - 1x Trim strip, 1863 or 2138 mm long, black or white plastic
  - 2x Cover caps for tensioners, black or white plastic (Not included in bulk packed sets)
  - 4x Retaining plates, black or white plastic (Not included in bulk packed sets)
- > Order qty: 1 set / Multiples of 50 sets\*

### Planofit complete sets

Door height up to:	Black	White
2400 mm	407.90.230	407.90.730
2650 mm	407.90.231	407.90.731

### Bulk pack sets\* - without cover caps and retaining plates

Door height up to:	Black	White
2400 mm	407.90.235	407.90.735
2650 mm	407.90.236	407.90.736

### Cover caps for tensioners



- > Plastic
- > Order qty: Multiples of 100 pcs

Finish	Black	White
Cat. No.	407.90.241	407.90.741

### Retaining plate for trim strip



- > Screw fixing
- > Plastic
- > Order qty: Multiples of 200 pcs

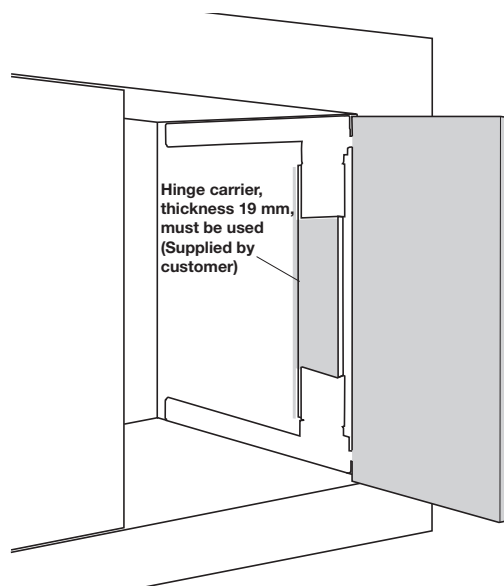


Finish	Black	White
Cat. No.	407.90.250	407.90.750

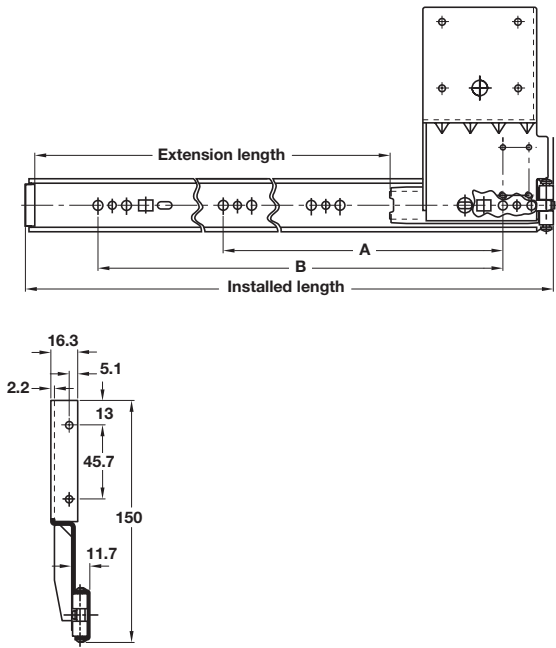
# ACCURIDE 1234 PIVOT SLIDING FITTING FOR TV CABINETS

Fittings for pivot sliding cabinet doors, for horizontal or vertical use.

- > For concealed doors, wall units and cabinets
- > For inset and overlay doors
- > For horizontal and vertical use
- > Maximum door weight **14 kg**
- > Door thickness from **16-32 mm**
- > Maximum door height **1100 mm**
- > Installed in 3 easy steps
- > Hold-out feature at maximum extension for ease of door operation



## Accuride 1234 pivot sliding door runners



- > Black zinc-plated steel
- > Order qty: 1 pair (per door)

Installed length	Extension length	Dim. A	Dim. B
354 mm	239 mm	- 224	
405 mm	289 mm	- 320	
456 mm	340 mm	- 352	
506 mm	391 mm	- 416	
557 mm	442 mm	352	480
608 mm	493 mm	352	480



Installed length	Cat. No.
354 mm	408.35.336
405 mm	408.35.341
456 mm	408.35.346
506 mm	408.35.351
557 mm	408.35.356
608 mm	408.35.361

## TIOMOS hinge, for inset doors



- > Opening angle 110°
- > Sprung, **soft close**
- > Ø 35 mm screw fixing with click on arm
- > For door thickness 16-20 mm
- > Distance to cup 6 mm
- > Steel cup and hinge arm
- > Order qty: 1 pc (order 2 pcs per door)



Mounting plate 348.38.512 (2 mm height) must be ordered separately, visit [www.hafele.co.uk](http://www.hafele.co.uk) for details

Type	Cat. No.
With soft close	348.31.802

## Click-on hinge, for half overlay doors



- > Opening angle 95°
- > 0 mm crank
- > Sprung
- > Ø 40 mm screw fixing cup with click on arm
- > Door thickness from 16-20 mm. If door is thicker, overlay reduces ie. 22 mm door thickness = 8 mm overlay
- > Nickel-plated steel cup and zinc alloy arm
- > Order qty: 1 pc (order 2 pcs per door)



Maximum overlay 5 mm, using a 10 mm cup to distance measurement



Mounting plate 322.85.750 (0 mm height) must be ordered separately, shown below

Type	Cat. No.
Without soft close	322.13.630

## Super compact cruciform mounting plate



- > Screw fixing, for click-on system hinges
- > Two part plate with external height adjustment
- > Nickel-plated zinc alloy and pressed steel
- > Order qty: Multiples of 10 pcs

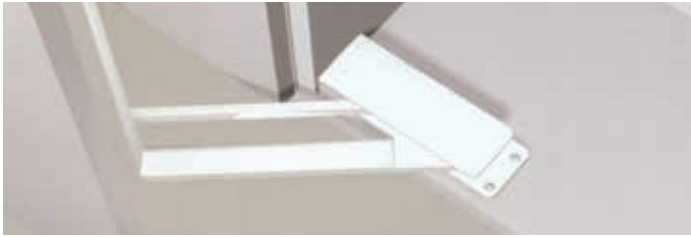


Height	Cat. No.
0 mm	322.85.750

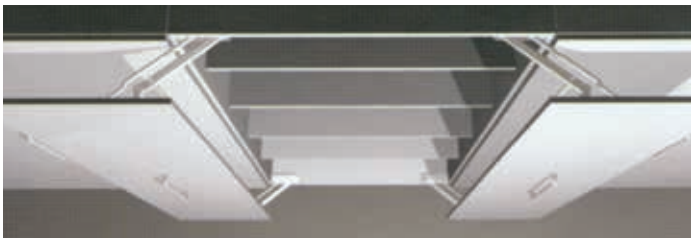
# DOOR OPENING MECHANISM

Moves doors forward and away to the side, allowing maximum access to the cabinet.

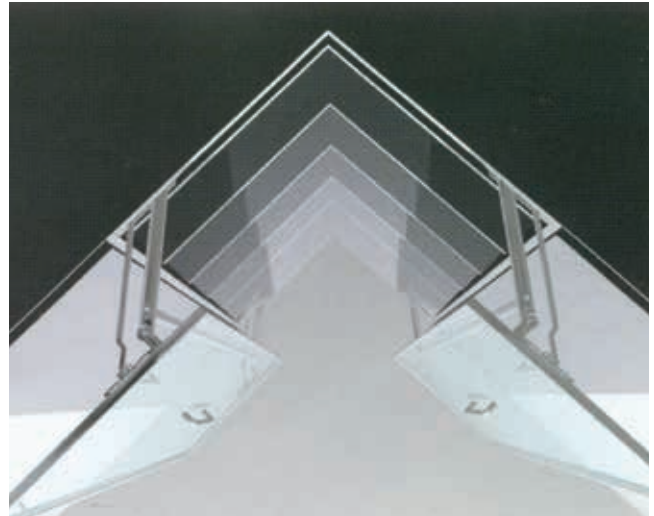
- > Soft closing
- > No hinges needed
- > Can be used for single doors, double doors, corners, wood doors or glass doors with frames
- > Can be used for every type of furniture



Single door application

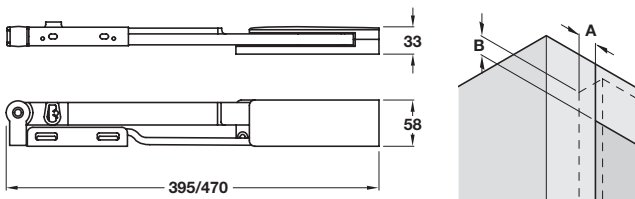


Double door application

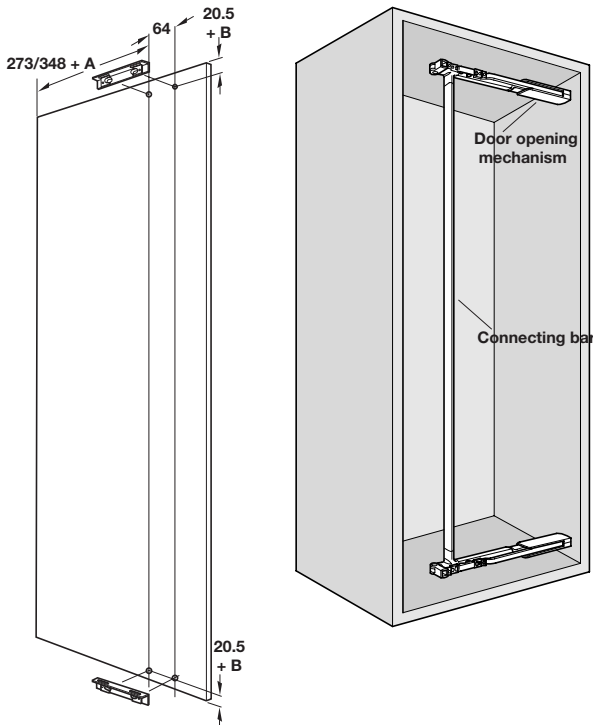


Corner double door application

## Door opening mechanism



- > Maximum door weight 20 kg
- > Set includes:
  - 2x handed fittings for fixing to cabinet ceiling and floor
  - 2x door mounting brackets
- > Aluminium coloured steel
- > Order fixing screws separately
- > Order qty: 1 set



Soft Closing

Min. cabinet width	Travel	For door width	Cat. No.
398 mm	446 mm	450 mm	407.32.906
475 mm	583 mm	600 mm	407.32.907

YOU ALSO NEED:

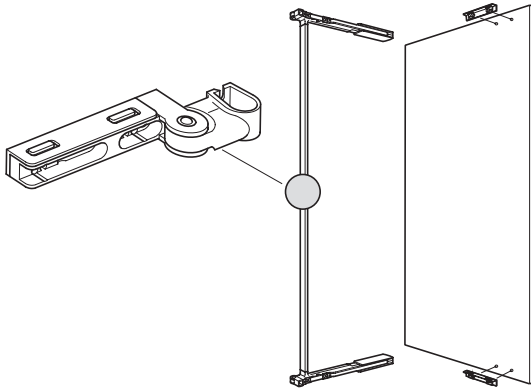
**CENTRE HINGE**  
Page 12.71

**CONNECTING BAR**  
Page 12.71

Centre hinge



- > For stabilising the connecting bar
- > For use with door opening mechanism set 407.32.906/7 shown on page **12.70**
- > Zinc alloy
- > Order qty: 1 set



Finish	Cat. No.
Silver coloured	407.32.930

Connecting bar



- > For use with door opening mechanism set 407.32.906/7 shown on page **12.70**
- > Can be cut down to size
- > Correct size of connecting bar is: Installation height - 76 mm
- > Aluminium coloured steel
- > Order qty: 1 pc

Length	Cat. No.
2500 mm	407.32.910

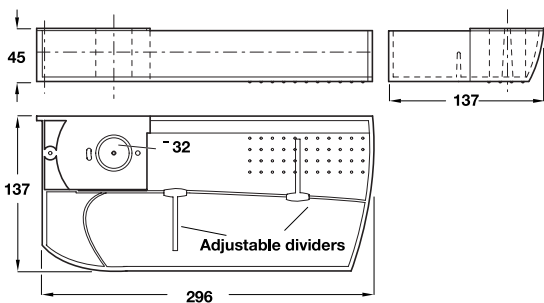
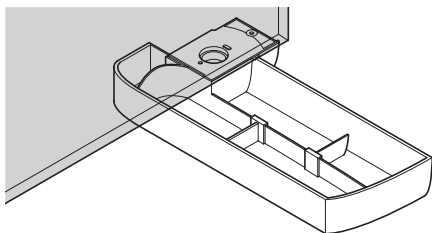
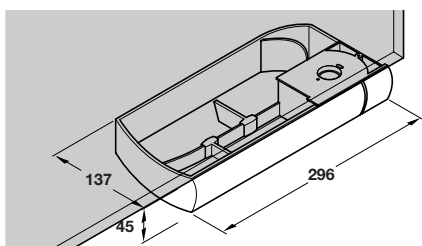
TCH TECHNOLOGY 2022. © Häfele U.K. Ltd 2022. Dimensional data not binding. We reserve the right to alter specifications without notice.

# DESK ACCESSORIES

## Swivel tray

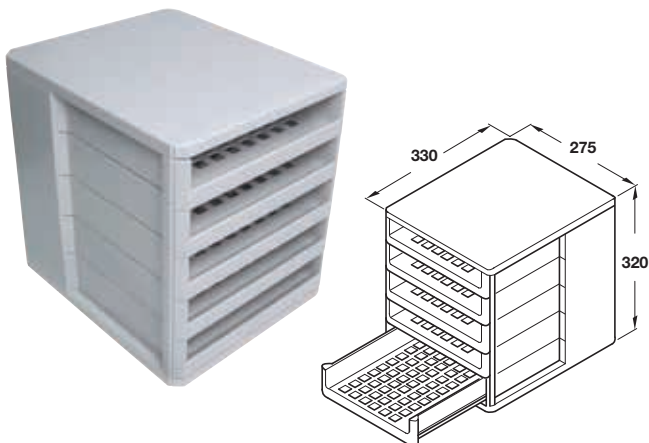


- > For mounting under shelf, cabinet base or worktop
- > With 2 adjustable dividers
- > Fixings supplied
- > Strong durable plastic
- > Order qty: 1 pc



Finish	Cat. No.
Opaque	547.60.700

## Multi-tray housing



- > With five trays
- > Free standing filing unit
- > Consists of housing unit and five trays
- > All parts are anti-static and impact resistant plastic
- > Order qty: 1 pc

Finish	Cat. No.
Light grey	818.50.562
Black	818.50.360





# HÄFELE PROJECTS 360°

## A broad range of project services

Our dedicated team of DipGAI qualified specialists can help turn projects into a reality with a comprehensive portfolio of products – from architectural ironmongery and sliding systems, to access control and security hardware to name a few.



# STORAGE AND ORGANISATION



Avoid desk clutter and keep your work space well organised and tidy with our wide range of storage solutions. Whether you want to file away paperwork under your desk with our filing and drawer systems or get organised with our wall storage and shelving systems.



# DESK PEDESTAL STORAGE



12

Office Furniture Fittings: Storage and Organisation

**Variant C+ stationery tray system**



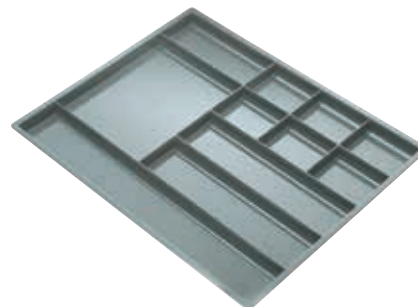
> page 12.82

**Matrix Box P twin walled drawer system**



> pages 12.83-75, 12.88-89

**Interior division accessories**



> pages 12.90-91

TOH TECHNOLOGY 2022, © Hafele U.K. Ltd 2022. Dimensional data not binding. We reserve the right to alter specifications without notice.

# MATRIX BOX P DESK PEDESTAL INSTALLATION INFORMATION

## Matrix Box P system information

- > Quick to assemble and install
- > Standard drawer suits 16/18 mm drawer base and rear panel
- > Fully synchronized
- > Runners are full extension with Smuso integrated soft and self-closing mechanism on both sides
- > Runner gives smooth and quiet opening with load carrying capacity of 35 or 50 kg per pair
- > Vertical inner sides for optimum capacity
- > Front panels available for internal drawer options
- > Drawer fronts can be adjusted from above by means of the front fixing bracket, neatly concealed by a trim cap
- > Drawer fronts can be removed without tools

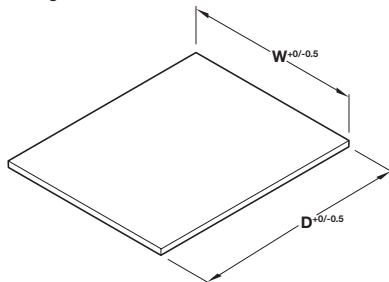


## Installation advice and adjustments

Drawer bases and backs, 16 mm thick, to suit Matrix Box P drawers, can be ordered separately, shown on page 12.85

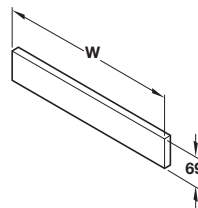
### Base panel for drawer

Calculation of base dimensions:  
 $W = \text{internal cabinet width} - 62 \text{ mm}$   
 $D = \text{nominal length} - 3 \text{ mm}$



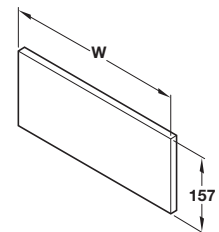
### Rear panel for drawer side height 92 mm

Calculation of back dimensions:  
 $W = \text{internal cabinet width} - 62 \text{ mm}$



### Rear panel for pan drawer side height 92 mm plus pan rail

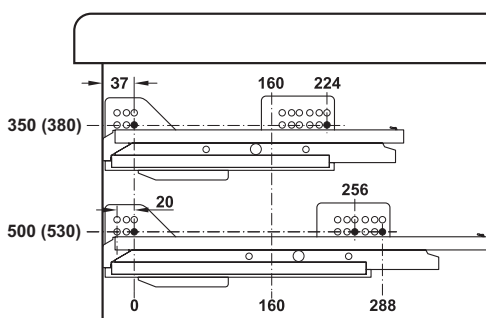
Calculation of back dimensions:  
 $W = \text{internal cabinet width} - 62 \text{ mm}$



## Fixing positions for full extension drawer runners



### 50 kg runners

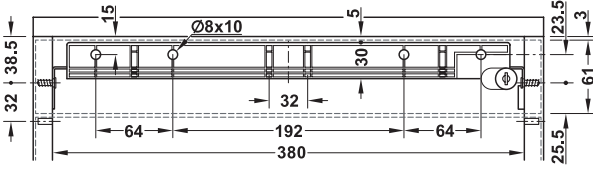




Construction dimensions - Top drawer



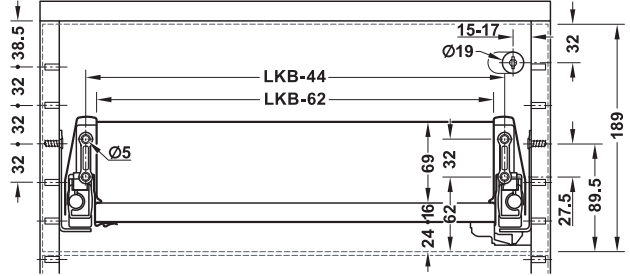
Stationery tray and shallow type drawer



System drawer - 1 HE

Key:  
LKB = installation width  
HE = height units

Matrix Box P drawer

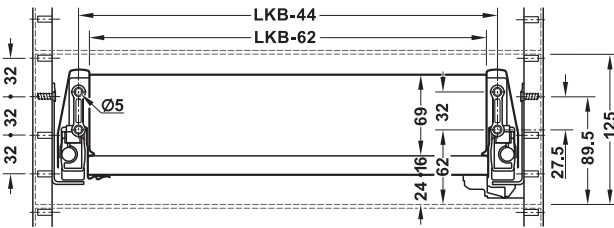


Matrix Box P drawer sides - 3 HE

Construction dimensions - Middle drawer



Matrix Box P drawer



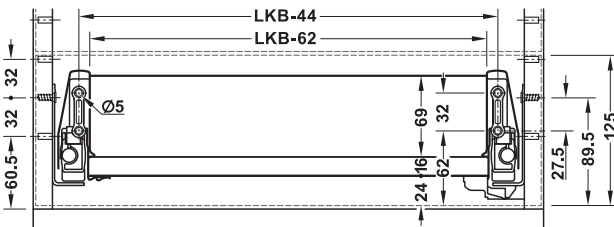
Matrix Box P drawer sides - 2 HE

Key:  
LKB = installation width  
HE = height units

Construction dimensions - Bottom drawer



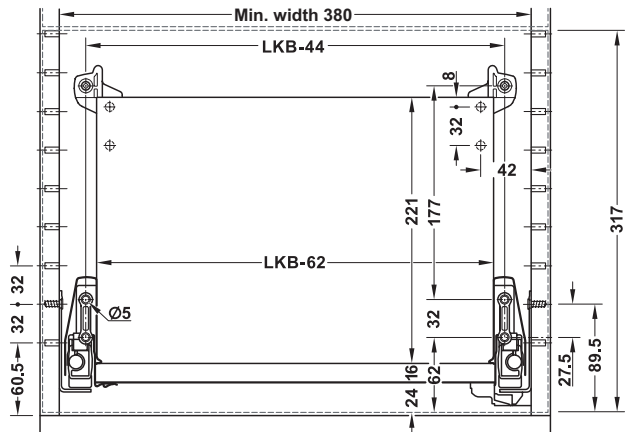
Matrix Box P drawer



Matrix Box P drawer sides - 2 HE

Key:  
LKB = installation width  
HE = height units

Matrix Box P drawer

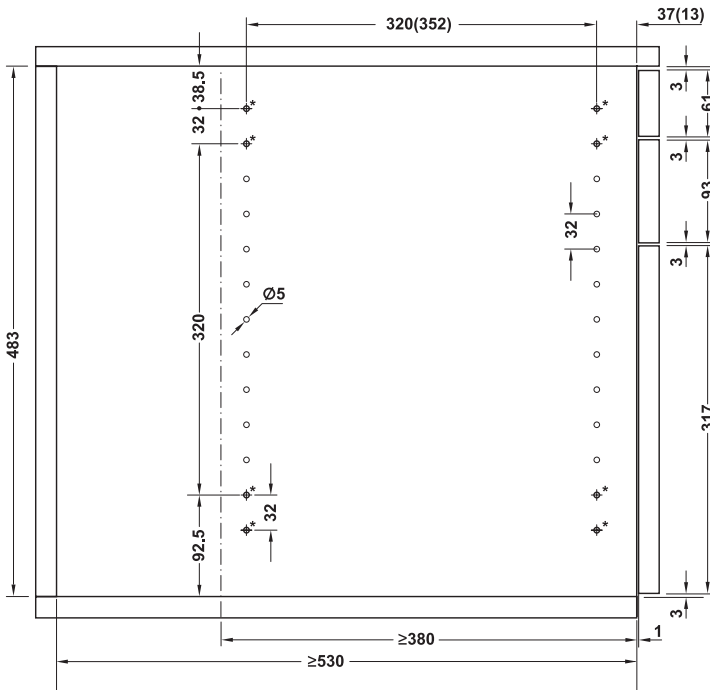


Suspension file set for Matrix Box P drawer sides - 5 HE

Example configuration for Matrix Box P drawer system with push-to-open function for system 32



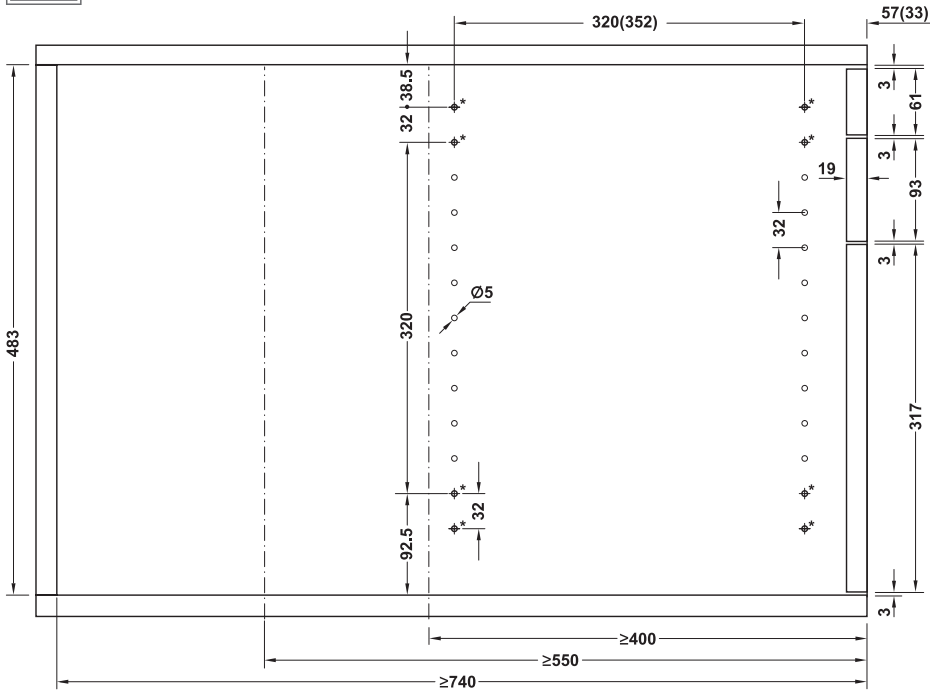
Construction with overlay panels



Without push-to-open function,  
Panel gap 1 mm



Construction with inset panels

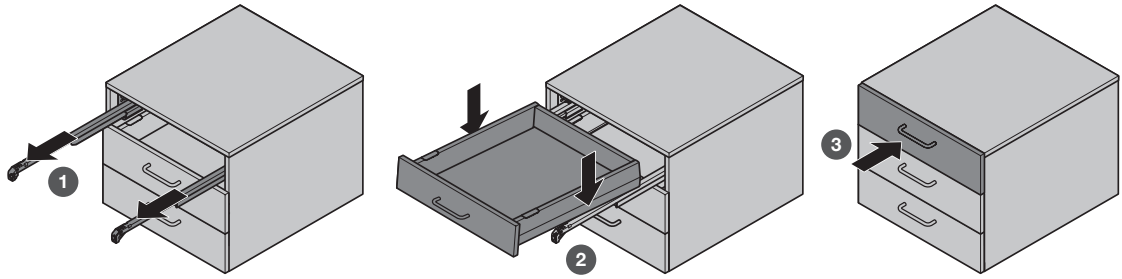
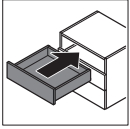


Without push-to-open function,  
Material thickness of panels 19 mm

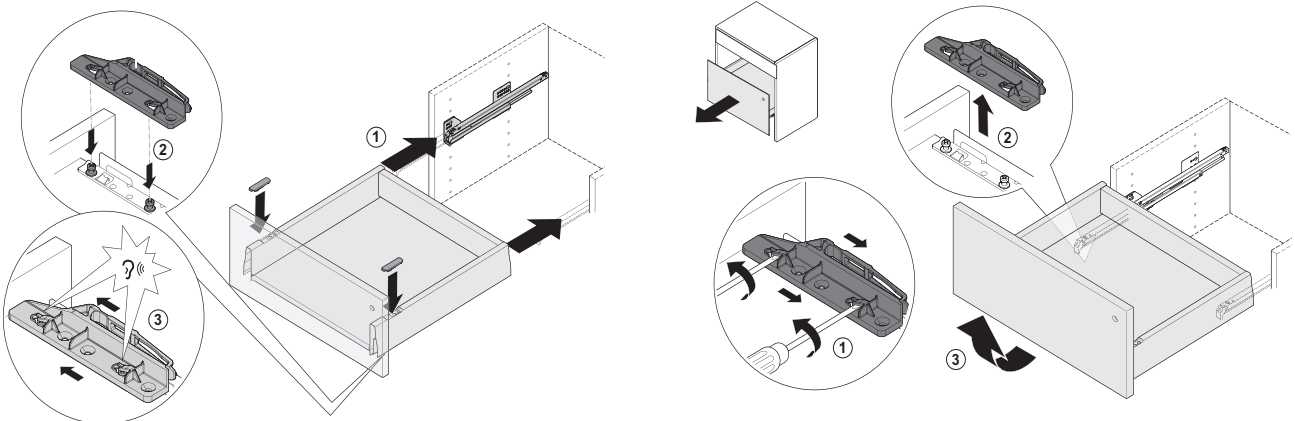
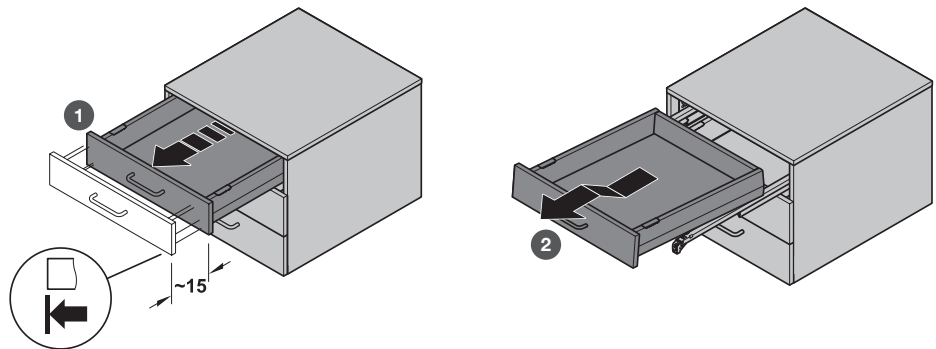
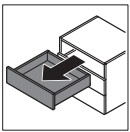
TCH TECHNOLOGY 2022. © Häfele U.K. Ltd 2022. Dimensional data not binding. We reserve the right to alter specifications without notice.

**Installation and removal of the drawer**

**Install**



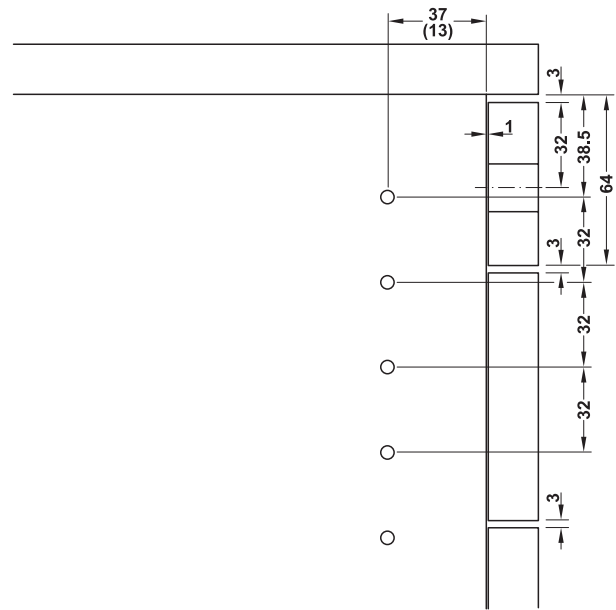
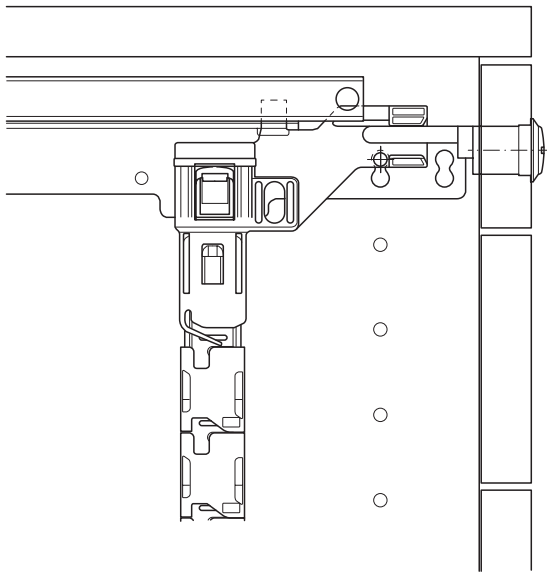
**Remove**





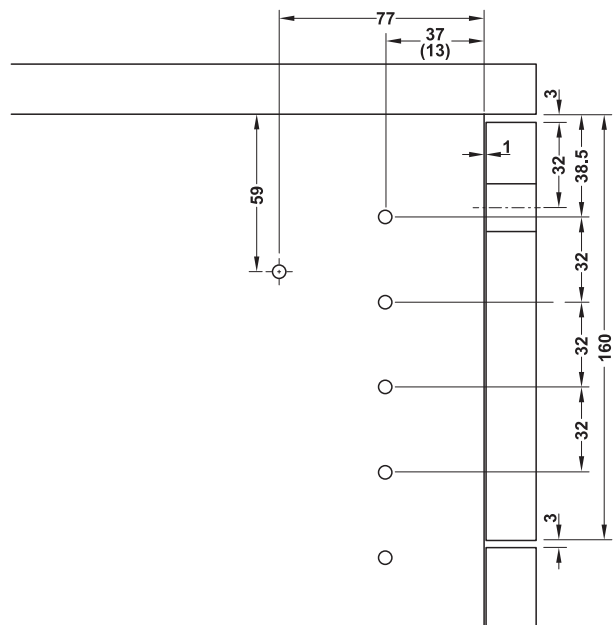
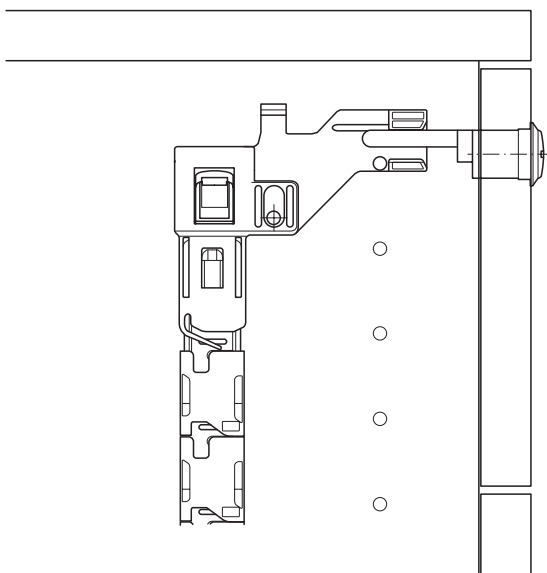
Installation of central locking system for lock on one side with stationery tray or shallow type drawer

For clipping into runner



Installation of central locking system for lock on one side with system drawer, suspension filing frame or Matrix Box P drawer sides

For screw fixing to cabinet side panel



Without push-to-open function,  
material thickness of panels 19 mm

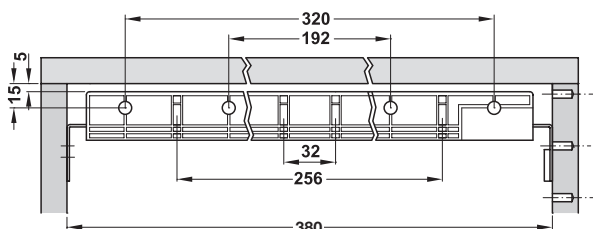


Additional drill hole required for Variofix connecting bolt (Cat. No. 262.34.951)

Stationery tray



- > For installation in office pedestals and desks
- > For use with single extension runners
- > With runner cover
- > Black RAL 9011 plastic
- > When panel fixing screws are being used, 5 mm drill holes must be pre-drilled into the drawer panel
- > Order qty: 1 pc

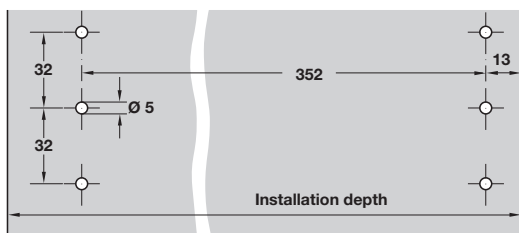
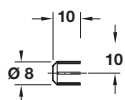
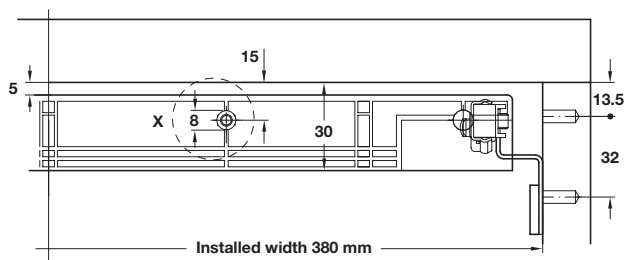


Finish	For installation width	Cat. No.
Black RAL 9011	380 mm	429.50.311

Drawer runners



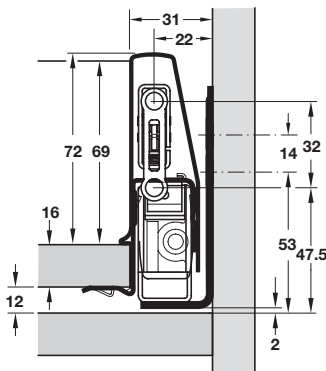
- > For stationery tray
- > For installation width 380 mm
- > Single extension, length 370 mm
- > Load bearing capacity: 10 kg/pair
- > Guided by ball bearings
- > For screw fixing into System 32
- > Galvanized steel
- > Order qty: 1 pc



Installation depth	Installation length	Cat. No.
530 mm	370 mm	429.58.997

# MATRIX BOX P 35 KG SINGLE DRAWER PACKED SETS

Single standard drawer, 92 mm high.



- > Quick to assemble and install
- > Standard drawer for 16 mm drawer base and rear panel
- > Synchronised runners are full extension with Smuso integrated soft and self-closing mechanism on both sides
- > Vertical inner sides for optimum capacity
- > Drawer fronts can be adjusted from above by means of the front fixing bracket, neatly concealed by a trim cap
- > Drawer fronts can be removed without tools
- > Each packed set includes:
  - A 1 pair drawer sides
  - B 1 pair runners, 35 kg
  - C 2 front fixing brackets, screw fixing
- > Matrix Box P standard drawer sides, 92 mm high
  - With integrated rear panel holder, requires 16 mm drawer base and rear panel (not included)
  - Plastic cover caps included
  - Powder coated steel
- > Full extension synchronised runners
  - Load carrying capacity 35 kg per pair
  - With integrated Smuso soft-closing and self-closing mechanisms
  - Galvanized steel

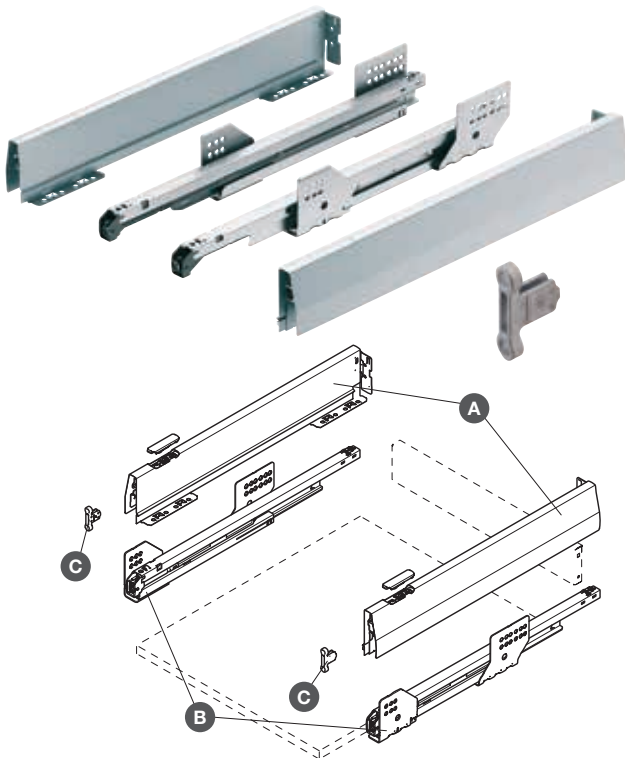


Installation information is shown on pages **12.77-81**



Order push-to-open fitting separately, if required; Cat. No. 553.50.995, shown on page **12.86**

## Matrix Box P standard drawer packed set



- > Suits 16 mm drawer base and rear panel
- > Powder coated drawer sides
- > Order fixing screws separately
- > Order qty: 1 set

smuso



Installation depth	Length	Cat. No.
<b>Grey</b> (suits 16 mm drawer base and rear panel)		
380 mm	350 mm	513.04.552
530 mm	500 mm	513.04.555
<b>White</b> (suits 16 mm drawer base and rear panel)		
380 mm	350 mm	513.04.752
530 mm	500 mm	513.04.755
<b>Anthracite</b> (suits 16 mm drawer base and rear panel)		
380 mm	350 mm	513.23.322
530 mm	500 mm	513.23.325
<b>Silver</b> (suits 16 mm drawer base and rear panel)		
380 mm	350 mm	513.23.922
530 mm	500 mm	513.23.925

## YOU ALSO NEED:



**DRAWER BACKS & BASES**  
Page 12.85

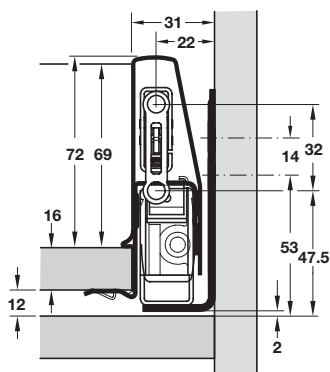


**FIXING SCREWS**  
Visit [www.hafele.co.uk](http://www.hafele.co.uk)

**OPTIONAL ACCESSORIES**  
Pages 12.74-77

# MATRIX BOX P 35 KG DRAWER SETS, BULK (6) PACKED

Single standard drawer, 92 mm high.



- > Quick to assemble and install
- > Standard drawer for 16 mm drawer base and rear panel
- > Synchronised runners are full extension with Smuso integrated soft and self-closing mechanism on both sides
- > Vertical inner sides for optimum capacity
- > Drawer fronts can be adjusted from above by means of the front fixing bracket, neatly concealed by a trim cap
- > Drawer fronts can be removed without tools
- > Each packed set includes:
  - A 1 pair drawer sides
  - B 1 pair runners, 35 kg
  - C 2 front fixing brackets, screw fixing
- > Matrix Box P standard drawer sides, 92 mm high
  - With integrated rear panel holder, requires 16 mm drawer base and rear panel (not included)
  - Plastic cover caps included
  - Powder coated steel
- > Full extension synchronised runners
  - Load carrying capacity 35 kg per pair
  - With integrated Smuso soft-closing and self-closing mechanisms
  - Galvanized steel

12



Installation information is shown on pages **12.77-81**

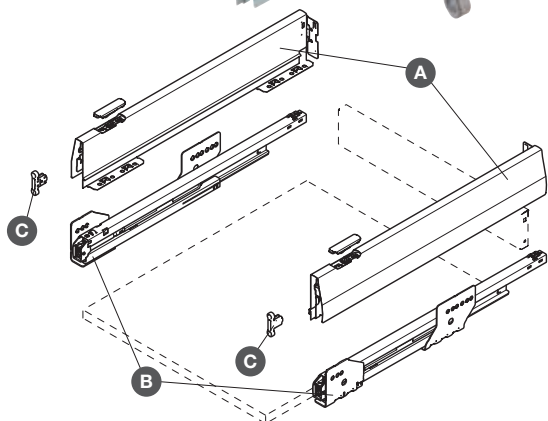


Order push-to-open fitting separately, if required; Cat. No. 553.50.995, shown on page **12.86**

## Matrix Box P standard drawer packed set



- > Suits 16 mm drawer base and rear panel
- > Powder coated drawer sides
- > Order fixing screws separately
- > Order qty: Multiples of 6 sets



smuso



Installation depth	Length	Cat. No.
<b>Grey</b> (suits 16 mm drawer base and rear panel)		
380 mm	350 mm	513.04.532
530 mm	500 mm	513.04.535
<b>White</b> (suits 16 mm drawer base and rear panel)		
380 mm	350 mm	513.04.732
530 mm	500 mm	513.04.735
<b>Anthracite</b> (suits 16 mm drawer base and rear panel)		
380 mm	350 mm	513.23.302
530 mm	500 mm	513.23.305
<b>Silver</b> (suits 16 mm drawer base and rear panel)		
380 mm	350 mm	513.23.902
530 mm	500 mm	513.23.905

YOU ALSO NEED:



**DRAWER BACKS & BASES**  
Page 12.85



**FIXING SCREWS**  
Visit [www.hafele.co.uk](http://www.hafele.co.uk)

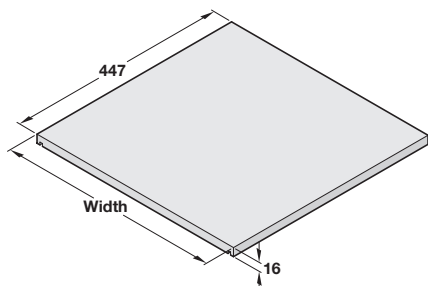


**OPTIONAL ACCESSORIES**  
Pages 12.74-77

## DRAWER BASES AND BACKS

Wooden bases and backs to suit Matrix Box P system drawers.

### Drawer base for Matrix Box P system drawers

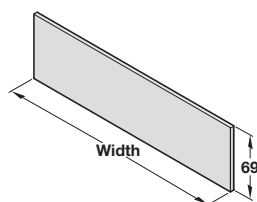


- > To be used with all Matrix Box P system drawers
- > To suit 450 mm drawer sides, but can be cut down to suit other sizes
- > MFC chipboard, 16 mm thick
- > Dual sided version - one side light grey, other side anthracite
- > Order qty: 1 pc



For cabinet width	Width	Dual sided
300 mm	202 mm	553.72.040
400 mm	302 mm	553.72.042
450 mm	352 mm	553.72.043
500 mm	402 mm	553.72.044
600 mm	502 mm	553.72.045
800 mm	702 mm	553.72.047
900 mm	802 mm	553.72.048
1000 mm	902 mm	553.72.049

### Drawer back for Matrix Box P system standard drawers

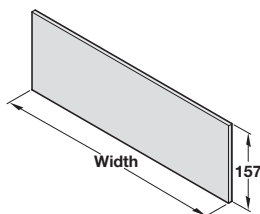


- > To be used with Matrix Box P system drawers
- > 69 mm high for use with standard Matrix Box P drawers
- > MFC chipboard, 16 mm thick
- > Dual sided version - one side light grey, other side anthracite
- > Order qty: 1 pc



For cabinet width	Width	Dual sided
300 mm	202 mm	553.71.000
400 mm	302 mm	553.71.002
450 mm	352 mm	553.71.003
500 mm	402 mm	553.71.004
600 mm	502 mm	553.71.005
800 mm	702 mm	553.71.007
900 mm	802 mm	553.71.008
1000 mm	902 mm	553.71.009

### Drawer back for Matrix Box P system pan and solid side drawers



- > To be used with Matrix Box P system drawers
- > 157 mm high for use with pan and solid side Matrix Box P drawers
- > MFC chipboard, 16 mm thick
- > Order qty: 1 pc



For cabinet width	Width	Light grey	Anthracite
300 mm	202 mm	-	553.71.040
400 mm	302 mm	553.71.362	553.71.042
450 mm	352 mm	553.71.363	553.71.043
500 mm	402 mm	553.71.364	553.71.044
600 mm	502 mm	553.71.365	553.71.045
800 mm	702 mm	553.71.367	553.71.047
900 mm	802 mm	553.71.368	553.71.048
1000 mm	902 mm	553.71.369	553.71.049

# MATRIX BOX P PUSH-TO-OPEN FITTING

Push to open fitting for installation on Matrix Box P system drawers, to enable handle-free opening.

## Matrix Box P push-to-open set for Matrix P system drawers



- > For drawers and pull outs for door front fixing, with soft close system, for all nominal length and weight classes
- > Set includes:
  - 1x Matrix activator PRO soft close right hand
  - 1x Matrix activator PRO soft close left hand
  - 1x Matrix lock assembly PTO soft close
- > Order qty: 1 set



Push-to-open fitting is not suitable for use with 270 mm Matrix Box P 35 kg drawer sides or 270/350/400 mm Matrix Box P 50 kg drawer sides

	Cat. No.
Push-to-open set	553.50.995

## Synchronisation rod



- > For cutting to size: Internal cabinet width - 208 mm
- > Aluminium
- > Order qty: 1 pc

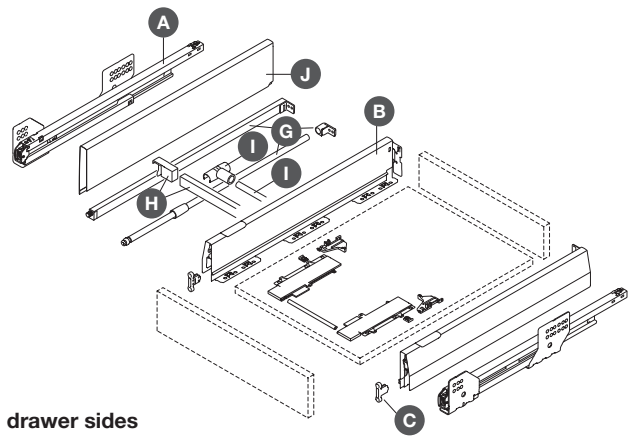


Internal cabinet width	Cat. No.
600 mm	551.90.160
1200 mm	551.90.161

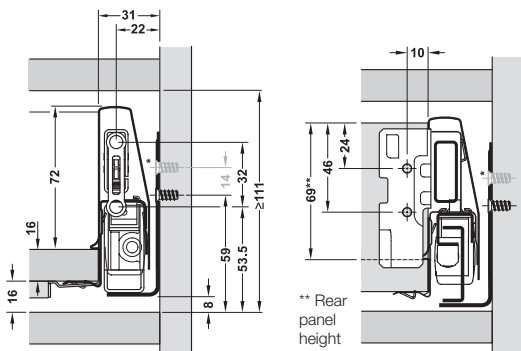
12

**Example:** Matrix Box P internal drawer with gallery railing and front rail or with height extension side panels

- A** Drawer runner, Push-to-Open Soft-Close optional
- B** Drawer sides with cover caps
- C** Front fixing brackets
- G** Cross rail and cross rail holder, rectangular
- I** Cross rail and cross rail holder, round
- J** Height extension side panel
- K** Panel holder and lateral glass panel (not shown)
- L** Front panel stabilising plate



### 92 mm drawer sides

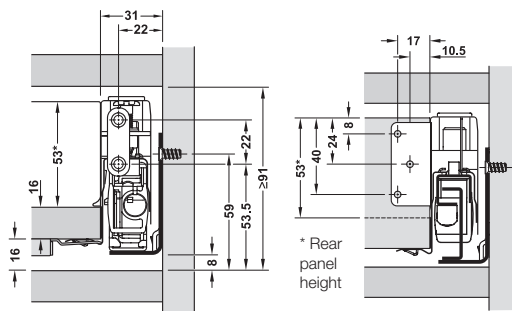


Internal installation height with Push-to-Open Soft-Close

Rear panel installation dimensions

\* Top row series drilled holes and fixing screws are not required for sets with load bearing capacity of 35 kg

### 60 mm drawer sides



Internal installation height with Push-to-Open Soft-Close

Rear panel installation dimensions





## Suspension filing frame for Matrix Box P drawer sides



- > For hooking in suspension files
- > Supplied with:
  - 2x Suspension file profiles
  - 2x Rails
  - 4x Front brackets (2x for press fitting, 2x for screw fixing)
  - 2x Rear panel adapters
- > Graphite black RAL 9011 coated aluminium profile, steel gallery rail and plastic holder
- > Order qty: 1 pair

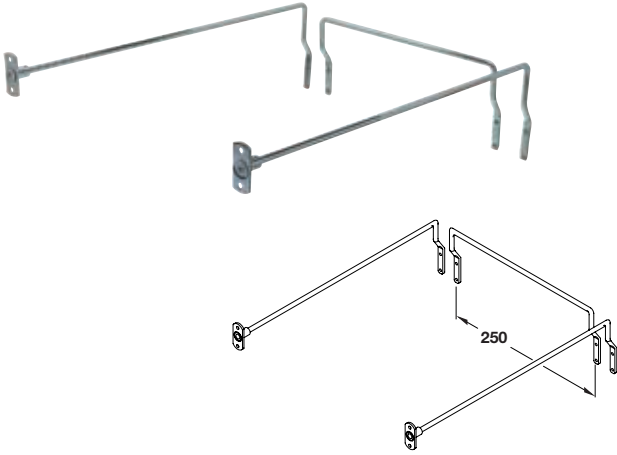


Installation depth	For drawer side length	Cat. No.
380 mm	350 mm	427.72.302
530 mm	500 mm	427.72.305

# FILING RAILS

For office filing drawers.

## Filing rails and stop rails



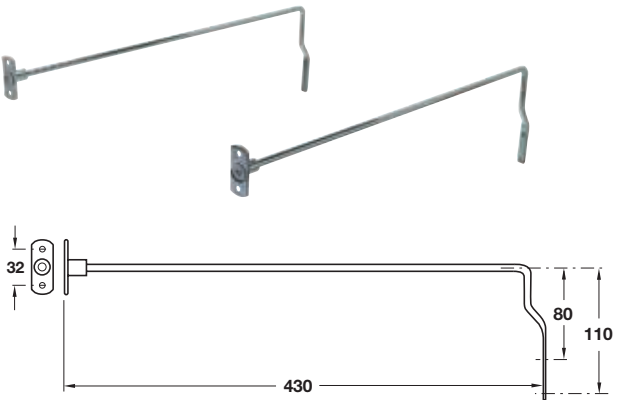
- > Filing bar set to suit 380/392 mm office filing drawers
- > Chrome-plated steel
- > Order qty: 1 set



Length	For installation depth	Cat. No.
450 mm	-	559.94.245
500 mm	530 mm	559.94.250
550 mm	-	559.94.255

12

## Filing rails and stop rails

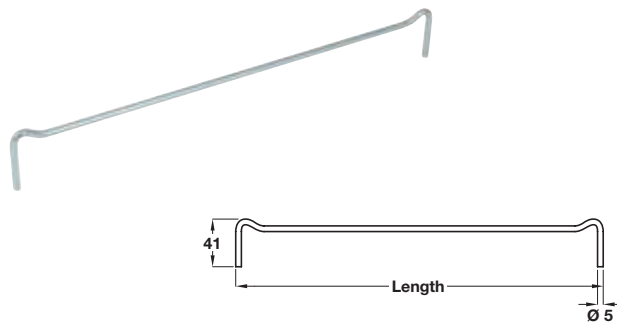


- > Filing bar set to suit 380/392 mm office filing drawers
- > Screw fixing
- > Chrome plated steel
- > Order qty: 1 set



For drawer length	Cat. No.
450 mm	427.23.205

## File bars



- > Bright zinc plated
- > Ø 5 mm steel rod
- > Order qty: 1 pc



Length	Cat. No.
323 mm	282.73.931

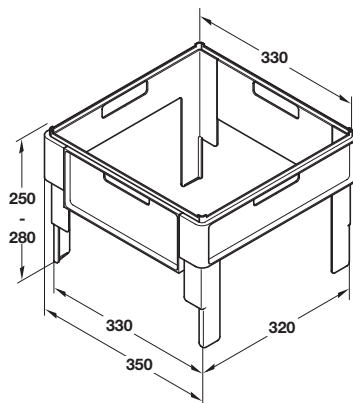
# SUSPENSION FILING FRAMES

For office filing drawers.

## Suspension filing frame



- > For hanging A4 suspension files or folders, hanging dimension 330 mm
- > Installation width: 380 mm
- > Height: 250-280 mm (adjustable)
- > Black RAL 9011 plastic
- > The suspension filing frames are disassembled for transport and can be easily assembled ready for use. The side sections can be inserted into the front at 6 different heights at intervals of 5 mm
- > Order qty: 1 pc



Additional front panel supports must be mounted for drawer panel heights of 187 mm and above

Installation depth	Cat. No.
350 mm	429.76.350

## Hanging rail



- > For subdividing frames into required filing sizes
- > Epoxy coated steel
- > Order qty: 1 pc

Filing sizes for suspension files	
For format (horizontal)	Required number of hanging rails
2x A4	2
2x FC	2
2x EDP	2
3x A4	4

Finish	Cat. No.
Light grey RAL 7035	425.12.520
Black RAL 9011	425.12.320
White aluminium RAL 9006	425.12.220

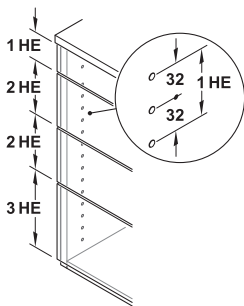
TCH TECHNOLOGY 2022. © Häfele U.K. Ltd 2022. Dimensional data not binding. We reserve the right to alter specifications without notice.

# MATRIX BOX P CENTRAL LOCKING SYSTEM

Central locking system that cannot be outsmarted. Prevents several drawers being extended simultaneously.

- > For Matrix Box P pull out drawers
- > Lock for Matrix Box P drawer side runner system
- > Central locking system for lock on both sides
- > Central locking bar surface mounted, cabinet process not required
- > For use with drawer side sets with load bearing capacity 35 and 50 kg, 350 mm runner lengths and above

## Determining the height units of the central locking bar



### Selecting the right central locking bar

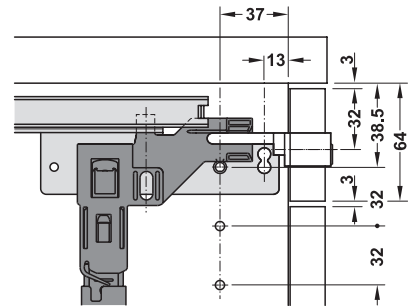
- > The suitable locking bar is determined by: the sum of the panel height units (HE) in accordance with the series drilled holes

System 32: 1 height unit = 64 mm = 2 x 32 mm

- > **Example** - Pedestal consists of:  
 Stationery drawer with panel height of 1 HE  
 System drawer with panel height of 2 HE  
 System drawer with panel height of 2 HE  
 System drawer with panel height of 3 HE

**Choice of central locking bar = 8 HE**

## Function/inner design, system 32



## YOU ALSO NEED:

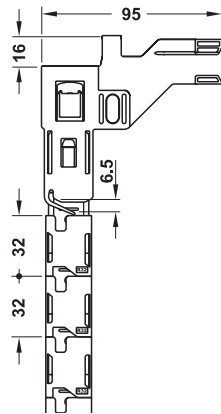
**MATRIX BOX P DRAWER SET**  
Page 12.84

**ACCESSORY SET, LOCK & LOCKING BAR**  
Shown below

12

Office Furniture Fittings: Storage and Organisation

## Matrix Box P central locking bar, for lock on one side



- > For lock on one side
- > Installation: for suspending in the runner
- > Please note: Not for use with 270 mm systems
- > The central locking bar can be shortened at the top by 2 HE
- > Galvanized steel with black RAL 9011 plastic screw-on bearing
- > Order qty: 1 pc



Central locking system with anti-tilt safety stop:  
Prevents simultaneous opening of several drawers

Height units (HE)	Installation height	Cat. No.
<b>System 32</b>		
7.5	483 mm	237.83.709
10	643 mm	237.83.714

## Accessory set for Matrix Box P lock on one side



- > Supplied with:  
 1x Stop clip, right  
 1x Central locking system connection, right  
 Fixing screws
- > Order qty: 1 set



	Cat. No.
Accessory set for lock on one side	427.73.388

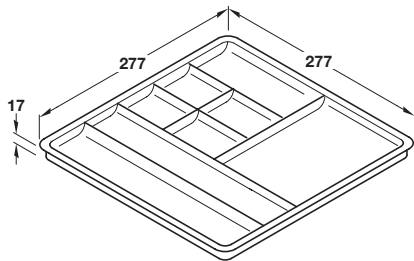
TOH TECHNOLOGY 2022, © Hafele U.K. Ltd 2022. Dimensional data not binding. We reserve the right to alter specifications without notice.

# PEN AND PENCIL TRAYS

## Pencil tray with eight compartments

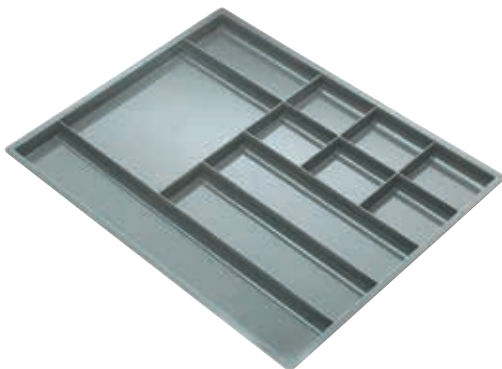


- > Plastic
- > Order qty: 1 pc

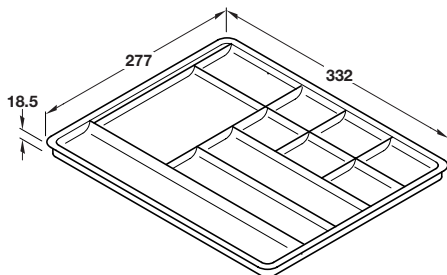


Finish	Cat. No.
Anthracite	818.03.054

## Pen tray with eleven compartments



- > Plastic
- > Order qty: 1 pc



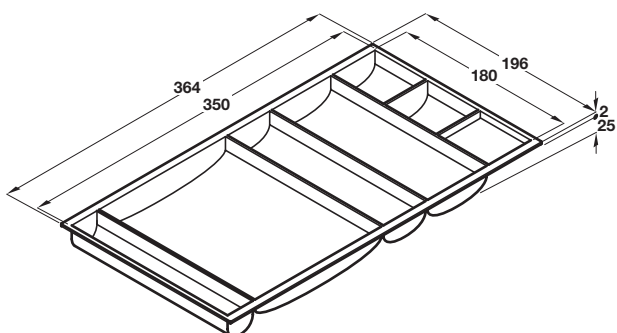
Finish	Cat. No.
Anthracite	818.04.051

TCH TECHNOLOGY 2022. © Häfele U.K. Ltd 2022. Dimensional data not binding. We reserve the right to alter specifications without notice.

Pen tray with seven compartments



- > Plastic
- > Order qty: 1 pc



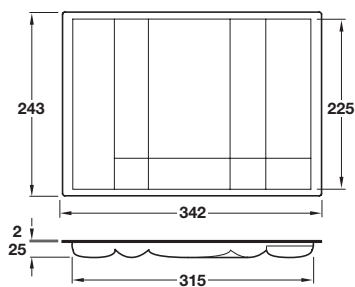
Finish	Cat. No.
Black	818.05.030

12

Pen and pencil tray with rim (lipped edge)



- > Plastic
- > Order qty: 1 pc



Finish	Cat. No.
Black (RAL 9011)	429.24.351



# WALL UNIT STORAGE



**Matrix Box P twin walled  
drawer system**

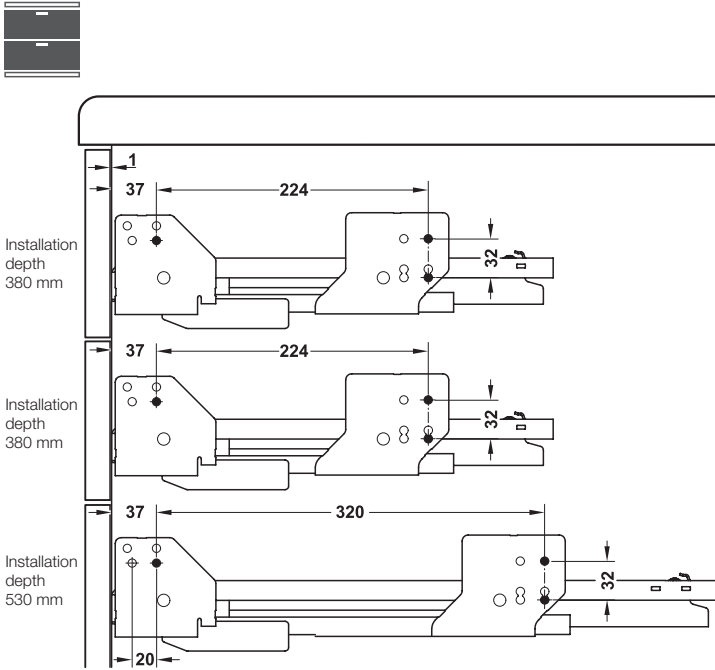


> pages 12.98-99

TCH TECHNOLOGY 2022. © Häfele U.K. Ltd 2022. Dimensional data not binding. We reserve the right to alter specifications without notice.

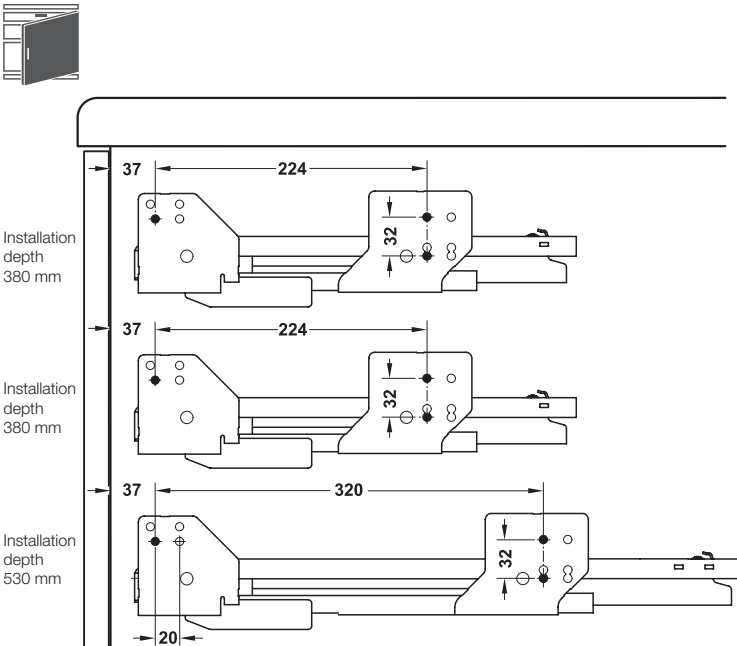
# WALL UNIT STORAGE INSTALLATION INFORMATION

## Drawer runners, behind panels

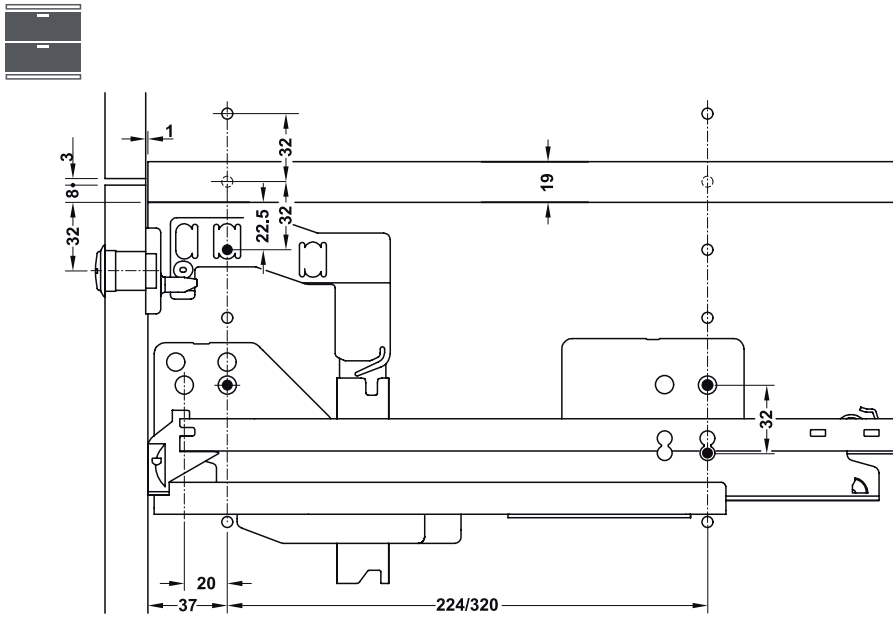


12

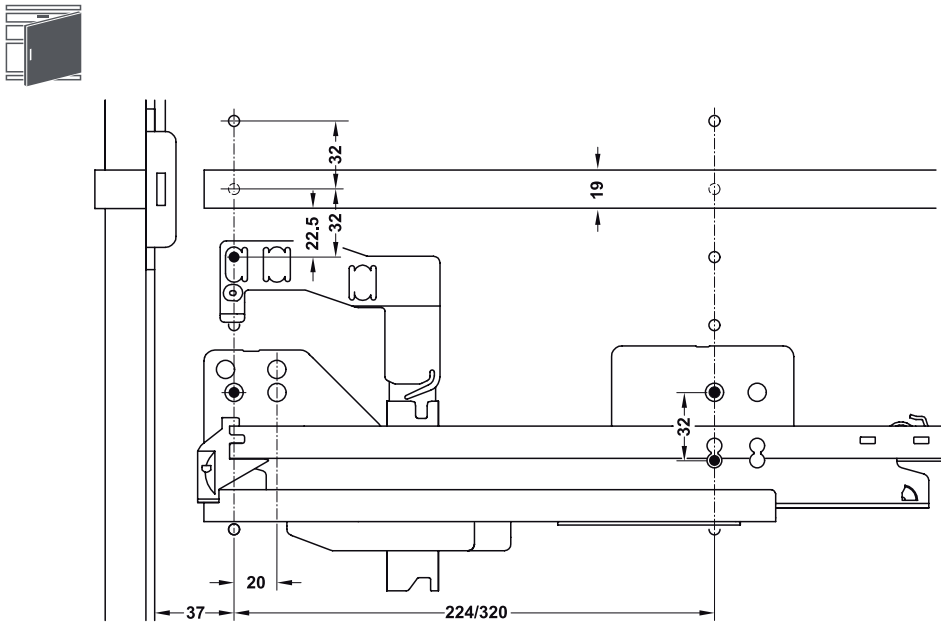
## Drawer runners, behind panels



Central locking system, behind panels



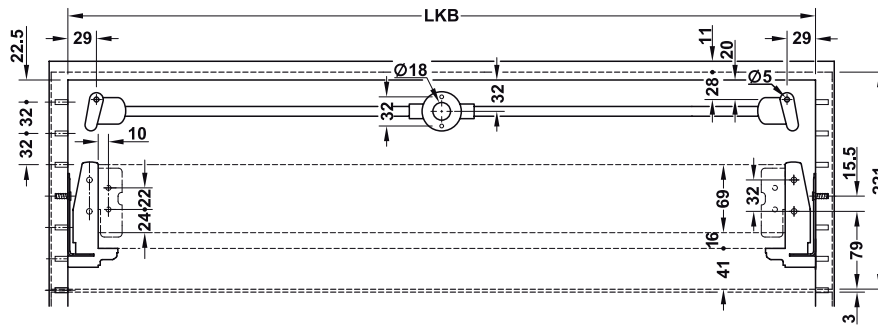
Central locking system, behind panels



TCH TECHNOLOGY 2022. © Häfele U.K. Ltd 2022. Dimensional data not binding. We reserve the right to alter specifications without notice.



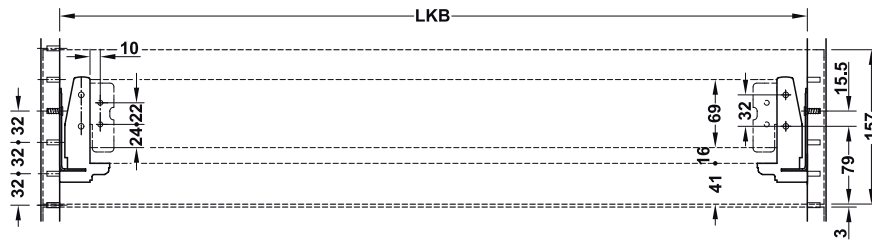
Matrix Box P Drawer sides, behind lock panel



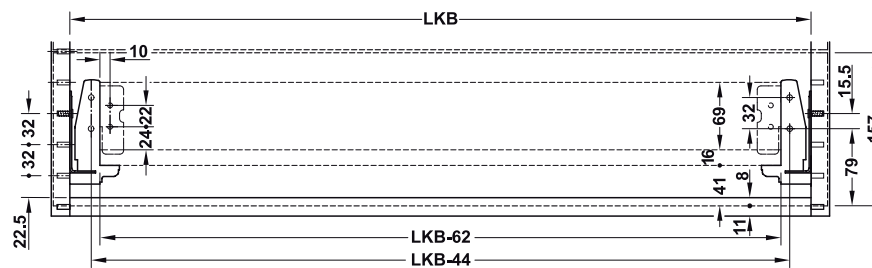
2.5 HE

Key:  
LKB = installation width  
HE = height units

Matrix Box P Drawer sides



2.5 HE

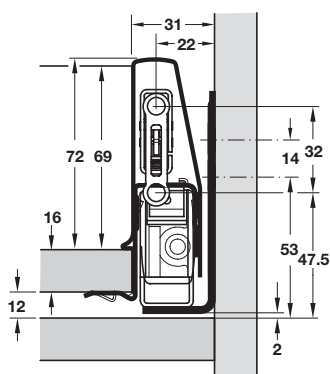


2.5 HE

Key:  
LKB = installation width  
HE = height units

# MATRIX BOX P 35 KG SINGLE DRAWER PACKED SETS

Single standard drawer, 92 mm high.



- > Quick to assemble and install
- > Standard drawer for 16 mm drawer base and rear panel
- > Synchronised runners are full extension with Smuso integrated soft and self-closing mechanism on both sides
- > Vertical inner sides for optimum capacity
- > Drawer fronts can be adjusted from above by means of the front fixing bracket, neatly concealed by a trim cap
- > Drawer fronts can be removed without tools
- > Each packed set includes:
  - A 1 pair drawer sides
  - B 1 pair runners, 35 kg
  - C 2 front fixing brackets, screw fixing
- > Matrix Box P standard drawer sides, 92 mm high
  - With integrated rear panel holder, requires 16 mm drawer base and rear panel (not included)
  - Plastic cover caps included
  - Powder coated steel
- > Full extension synchronised runners
  - Load carrying capacity 35 kg per pair
  - With integrated Smuso soft-closing and self-closing mechanisms
  - Galvanized steel

12

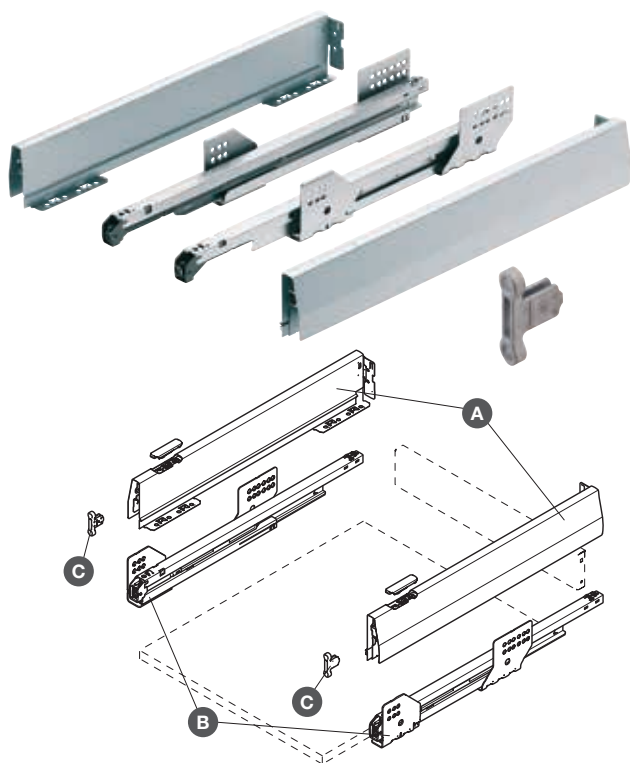


Installation information is shown on pages **12.77-81**



Order push-to-open fitting separately, if required; Cat. No. 553.50.995, shown on page **12.86**

## Matrix Box P standard drawer packed set



- > Suits 16 mm drawer base and rear panel
- > Powder coated drawer sides
- > Order fixing screws separately
- > Order qty: See table below

smuso



Length	Order qty: 1 set	Order qty: 6 sets
<b>Grey</b> (suits 16 mm drawer base and rear panel)		
350 mm	513.04.552	513.04.532
500 mm	513.04.555	513.04.535
<b>White</b> (suits 16 mm drawer base and rear panel)		
350 mm	513.04.752	513.04.732
500 mm	513.04.755	513.04.735
<b>Anthracite</b> (suits 16 mm drawer base and rear panel)		
350 mm	513.23.322	513.23.302
500 mm	513.23.325	513.23.305
<b>Silver</b> (suits 16 mm drawer base and rear panel)		
350 mm	513.23.922	513.23.902
500 mm	513.23.925	513.23.905

YOU ALSO NEED:



**DRAWER BACKS & BASES**  
Page 12.85



**FIXING SCREWS**  
Visit [www.hafele.co.uk](http://www.hafele.co.uk)



**OPTIONAL ACCESSORIES**  
Pages 12.74-77

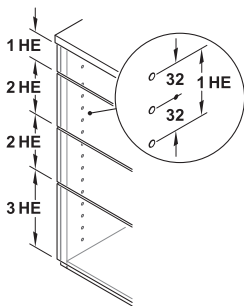


# MATRIX BOX P CENTRAL LOCKING SYSTEM

Central locking system that cannot be outsmarted. Prevents several drawers being extended simultaneously.

- > For Matrix Box P pull out drawers
- > Lock for Matrix Box P drawer side runner system
- > Central locking system for lock on both sides
- > Central locking bar surface mounted, cabinet process not required
- > For use with drawer side sets with load bearing capacity 35 and 50 kg, 350 mm runner lengths and above

## Determining the height units of the central locking bar



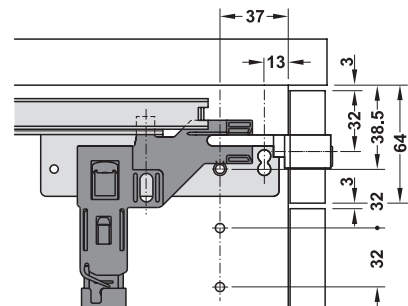
### Selecting the right central locking bar

- > The suitable locking bar is determined by: the sum of the panel height units (HE) in accordance with the series drilled holes

System 32: 1 height unit = 64 mm = 2 x 32 mm

- > **Example** - Pedestal consists of:
    - Stationery drawer with panel height of 1 HE
    - System drawer with panel height of 2 HE
    - System drawer with panel height of 2 HE
    - System drawer with panel height of 3 HE
- Choice of central locking bar = 8 HE**

## Function/inner design, system 32



## YOU ALSO NEED:

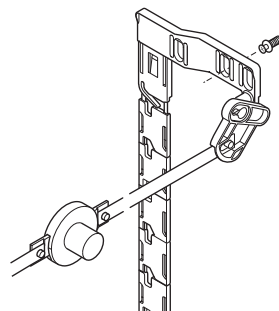
**MATRIX BOX P DRAWER SET**  
Page 12.98

**ACCESSORY SET, LOCK & LOCKING BAR**  
Page 12.89

## Matrix Box P central locking bar, for lock on both sides



- > For lock on both sides
- > Installation: for suspending in the runner
- > Please note: Not for use with 270 mm systems
- > The central locking bar can be shortened at the top by 2 HE
- > Galvanized steel with black RAL 9011 plastic screw-on bearing
- > Order qty: 1 pc



Central locking system with anti-tilt safety stop:  
Prevents simultaneous opening of several drawers

Length	Panel height (HE)	Installation height	Cat. No.
<b>System 32</b>			
913 mm	15	941 mm	237.88.633



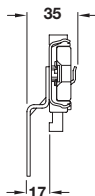
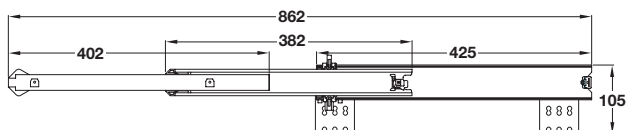
# RUNNERS

For bespoke drawers.

## Drawer runners for S-eco system



- > Side mounting for bespoke drawer
- > Double 'Interlock' anti tilt function
- > Designed for Variant S-eco frames shown left
- > Black zinc-plated steel
- > Order qty: 1 pair



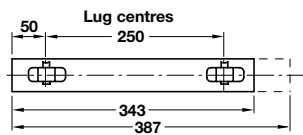
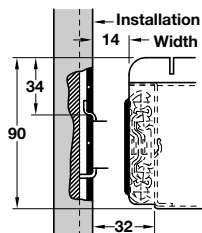
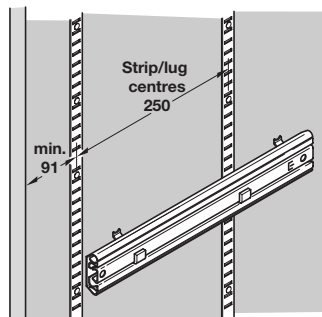
	Cat. No.
Drawer runners	424.74.350

12

## Full extension ball-bearing cage runners



- > Side mounting for bespoke drawer
- > Hook into the shelf suspension strip
- > Carrying capacity 40 kg
- > Bright galvanized steel
- > Order qty: 1 pair



Strip/lug centres	Installation depth	Cat. No.
250 mm	460 mm	424.54.311

# TAMBOUR DOOR SYSTEM

Tambour doors are the ideal solution where hinged doors are not possible, or can simply be used as a feature door to break up a line of cabinets, adding colour and interest into the kitchen or home office.



- > For use in a 500 or 600 mm wide cabinets
- > For minimum cabinet depth 300 mm
- > For tambour door height up to 720 or 1210 mm
- > For use with 18 mm board thickness; please note board is not included
- > Set includes all parts required to create tambour door with handle profile:
  - Tambour mechanism
  - Two side guides
  - Slatted tambour door
  - Front profile
- > Available in 4 finishes; satin anodised aluminium, copper, anthracite and gold mill

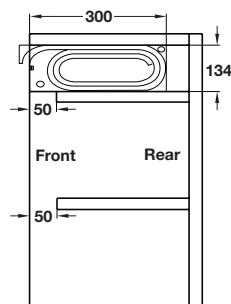


Special finishes, sizes and electronic versions are available on request - please contact us for further information

## Tambour door system



Satin anodised aluminium finish



- > Set includes all parts required to create tambour door with handle profile: Tambour mechanism, two side guides, slatted tambour door and front profile
- > Shelf needed for unit to be fitted on, shelves are also not included
- > Aluminium
- > Order qty: 1 set



For cabinet width	Tambour door height	Cat. No.
<b>Satin anodised aluminium</b>		
500 mm	720 mm	443.10.921
600 mm	720 mm	443.10.931
500 mm	1210 mm	443.10.922
600 mm	1210 mm	443.10.932
<b>Copper</b>		
500 mm	720 mm	443.10.021
600 mm	720 mm	443.10.031
500 mm	1210 mm	443.10.022
600 mm	1210 mm	443.10.032
<b>Anthracite</b>		
500 mm	720 mm	443.10.521
600 mm	720 mm	443.10.531
500 mm	1210 mm	443.10.522
600 mm	1210 mm	443.10.532
<b>Mill gold</b>		
500 mm	720 mm	443.10.821
600 mm	720 mm	443.10.831
500 mm	1210 mm	443.10.822
600 mm	1210 mm	443.10.832



Copper finish



Anthracite finish

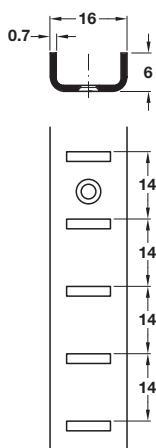


Mill gold finish

TCH TECHNOLOGY 2022. © Häfele U.K. Ltd 2022. Dimensional data not binding. We reserve the right to alter specifications without notice.

# SHELF SUPPORT STRIPS

## Shelf support strip, screw fixing



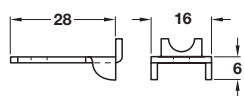
- > Recess or surface mounted
- > For shelf supports 283.61.930/283.61.926 shown below
- > Steel
- > Order qty: 1 pc (1 pc = 3.5 metres)



Finish	Cat.No.
Nickel-plated	283.07.013

12

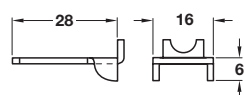
## Shelf support, with fixing hole



- > For use with shelf support strip 283.07.013 shown above
- > With fixing hole
- > Steel
- > Order qty: Multiples of 50 pcs

Finish	Cat. No.
Galvanized	283.61.930

## Shelf support, without fixing hole



- > For use with shelf support strip 283.07.013 shown above
- > Without fixing hole
- > Steel
- > Order qty: Multiples of 50 pcs

Finish	Cat. No.
Galvanized	283.61.926

Office Furniture Fittings: Storage and Organisation

TCH TECHNOLOGY 2022, © Häfele U.K. Ltd 2022. Dimensional data not binding. We reserve the right to alter specifications without notice.



FOR TOTAL  
ILLUMINATION,  
SPEAK TO HÄFELE.

## FREE Lighting Design Service

Discover our wide range of LED, fluorescent and halogen solutions in a range of styles including our Loox spot lights, Nimbus pendant lights and more. Need help specifying? Our FREE lighting design service could be your extra pair of hands when it comes to your lighting requirements.

Order online [www.hafele.co.uk/lightingdesignservice](http://www.hafele.co.uk/lightingdesignservice)  
or contact us on **0800 171 2908** to discuss your requirements.

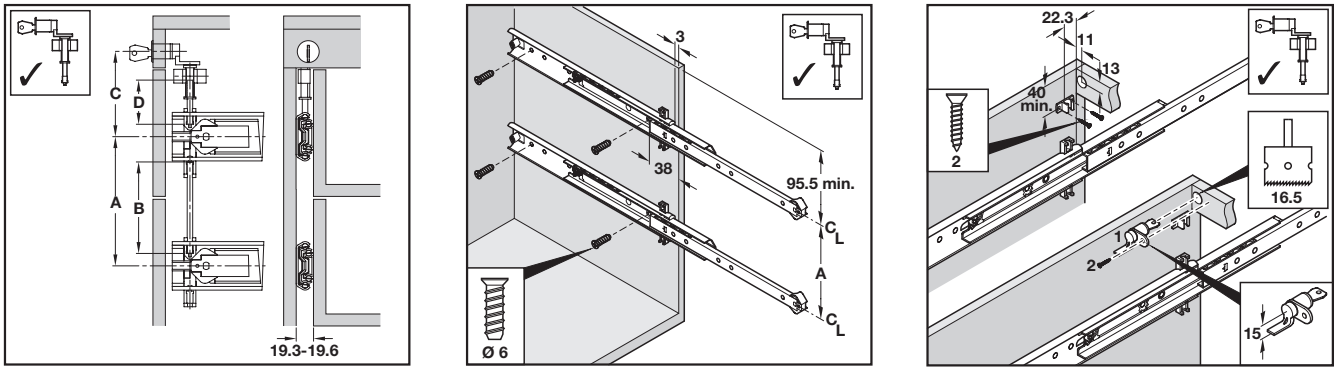
**HÄFELE**  
LIGHTING  
DESIGN



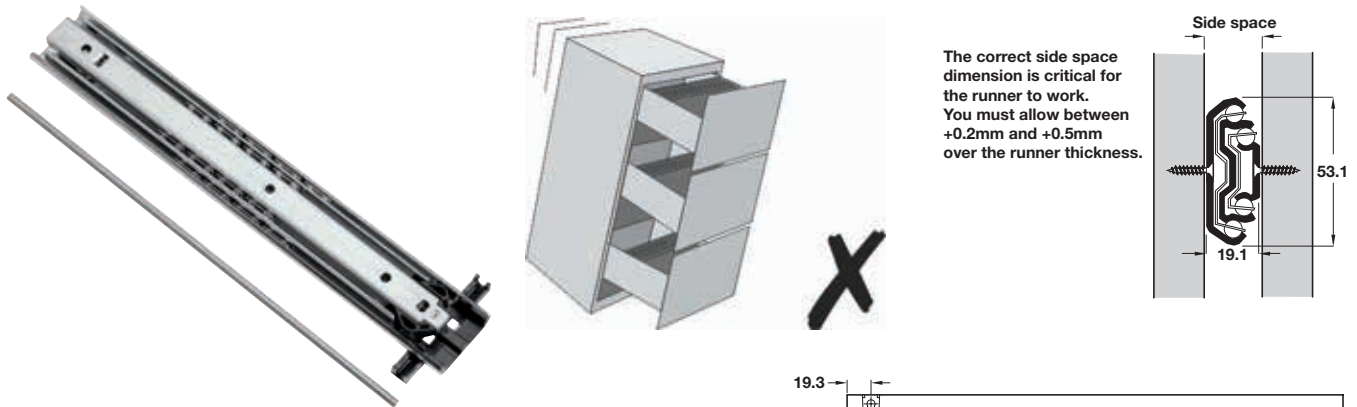


# ACCURIDE 5343 INTERLOCK RUNNERS

Full extension interlock runners and locking kit.

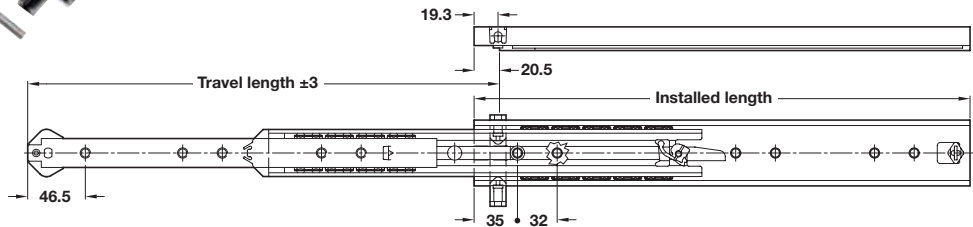


## Accuride 5343 Interlock runners, full extension



12

Office Furniture Fittings: Storage and Organisation



➤ For interlock both sides order: 2x Interlock runners 422.45.02X  
 ➤ Locking kit 237.54.300 must be ordered separately, shown on page 12.105

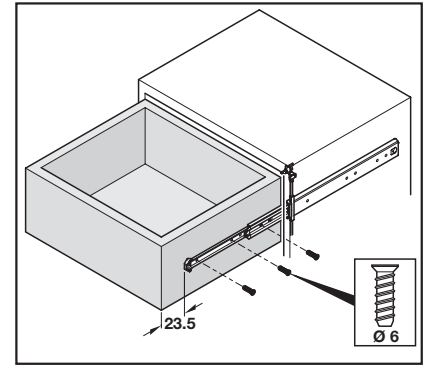
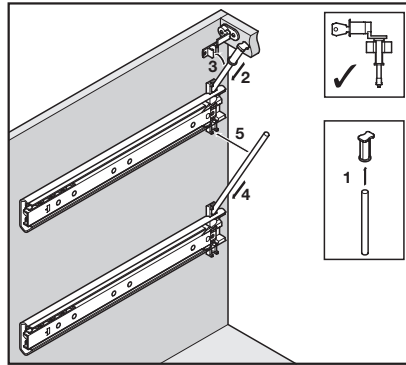
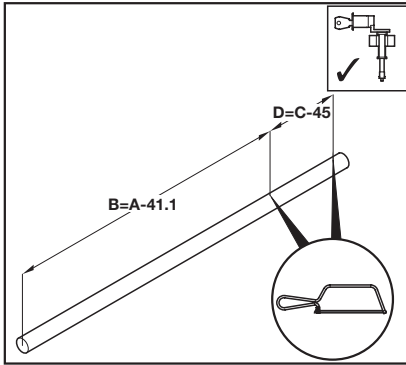
- Interlock slide (anti-tilt) with locking option
- Load carrying capacity up to 100 kg (see below for individual runner capacity)
- Hold-in feature holds the drawer in
- Suitable for drawers up to 1000 mm wide
- Zinc-plated steel
- Kit consists of:
  - 1x Interlock slide
  - 1x Ø 6 x 300 mm rod. Cut to suit required pitch
  - Order fixing screws separately
  - Order qty: 1 kit



Installed length	Travel length	Load capacity (up to 800 mm wide drawers)	Load capacity (up to 1000 mm wide drawers)	Cat. No.
400 mm	430 mm	90 kg	80 kg	422.45.022
450 mm	480 mm	95 kg	85 kg	422.45.023
500 mm	530 mm	100 kg	90 kg	422.45.024
550 mm	580 mm	95 kg	85 kg	422.45.025

TOH TECHNOLOGY 2022, © Hafele U.K. Ltd 2022. Dimensional data not binding. We reserve the right to alter specifications without notice.

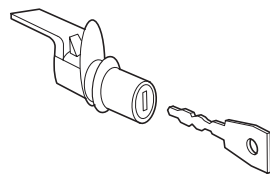




Locking kit

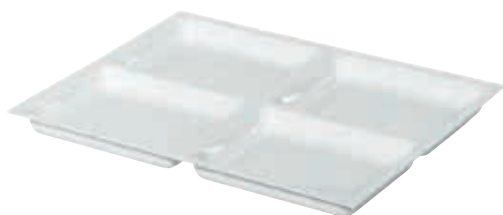


- > To suit runner with interlock option
- > Consists of:
  - 1x lock cylinder barrel
  - 1x black rosette
  - 1x interlocking slide
  - 1x slide housing
  - 1x 10 mm spacer
- > Order qty: 1 set



	Cat. No.
Locking kit	237.54.300

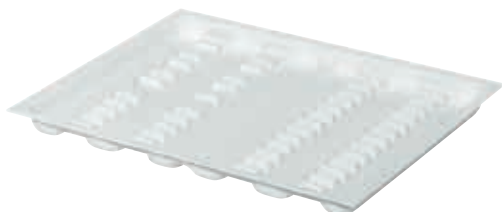
**Variant-D shallow drawer insert, with 4 compartments**



- > 28 mm height (for 38 mm internal drawer height)
- > 411 x 310 mm
- > 2.5 mm material thickness
- > White high gloss plastic (deep drawn)
- > Order qty: 1 pc

Cat. No.	
Insert with 4 compartments	429.35.700

**Variant-D shallow drawer insert, for instruments**



- > 28 mm height (for 38 mm internal drawer height)
- > 411 x 310 mm
- > 2.5 mm material thickness
- > White high gloss plastic (deep drawn)
- > Order qty: 1 pc

Cat. No.	
Insert for instruments	429.35.701

**Variant-D shallow drawer insert, with 9 compartments**



- > 28 mm height (for 38 mm internal drawer height)
- > 411 x 310 mm
- > 2.5 mm material thickness
- > White high gloss plastic (deep drawn)
- > Order qty: 1 pc

Cat. No.	
Insert with 9 compartments	429.35.702

## Variant-D shallow drawer insert, with 8 compartments



- > 35 mm height (for 39 mm internal drawer height)
- > 411 x 310 mm
- > 2.5 mm material thickness
- > White high gloss plastic (deep drawn)
- > Order qty: 1 pc

Cat. No.	
Insert with 8 compartments	429.35.710

## Variant-D shallow drawer insert, with 16 compartments



- > 35 mm height (for 39 mm internal drawer height)
- > 411 x 310 mm
- > 2.5 mm material thickness
- > White high gloss plastic (deep drawn)
- > Order qty: 1 pc

Cat. No.	
Insert with 16 compartments	429.35.711

## Variant-D deep drawer insert, with 6 compartments



- > 85 mm height (for 90 mm internal drawer height)
- > 411 x 310 mm
- > 2.5 mm material thickness
- > White high gloss plastic (deep drawn)
- > Order qty: 1 pc

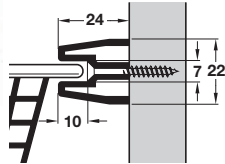
Cat. No.	
Insert with 6 compartments	429.35.723

# GUIDE RAILS, DRAWER STOPS AND ADJUSTERS

## Guide rail



Photo shows 2 pcs



- > Screw fixing
- > For wire baskets with gliding edge
- > White plastic
- > Order fixing screws separately
- > Order qty: 1 pc



Length	Cat. No.
430 mm	430.34.724

## Guide rail

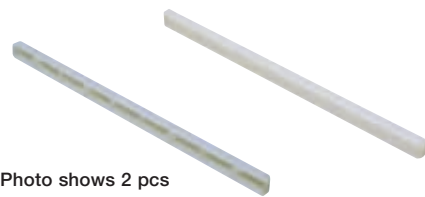
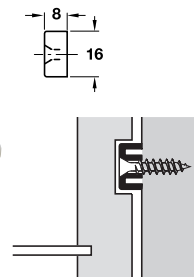


Photo shows 2 pcs



- > Screw fixing
- > Suitable for 17 mm grooved drawers
- > White plastic
- > Order fixing screws separately
- > Order qty: 1 pc

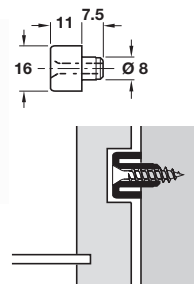


Length	Cat. No.
285 mm	430.15.701
450 mm	430.15.738

## Guide rail



Photo shows 2 pcs

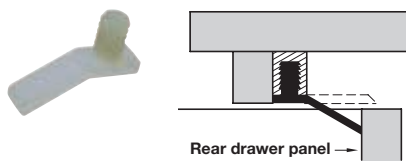


- > Press fit and screw fixing
- > Suitable for 17 mm grooved drawers
- > White plastic
- > Order fixing screws separately
- > Order qty: 1 pc

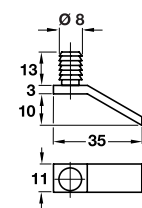


Length	Cat. No.
350 mm	430.15.765

## Lever type stop



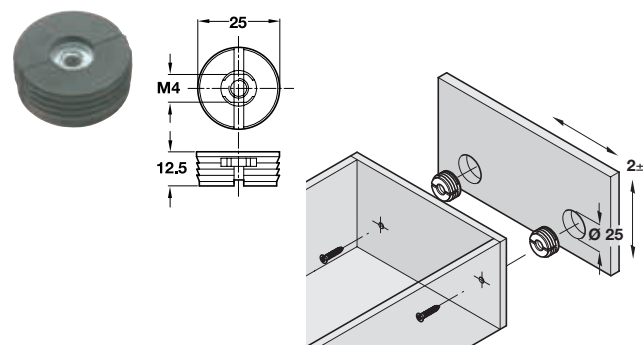
Rear drawer panel



- > Prevents drawers being removed accidentally
- > The stop lever must be pressed upwards to release the drawer
- > Plastic
- > Order qty: Multiples of 100 pcs

	Cat. No.
Lever type stop	430.09.150

## Drawer front adjuster



- > One part drawer front adjusting fitting fits into a Ø 25 mm hole in the drawer front
- > Only the head of the screw used to fix and adjust it is seen inside the drawer
- > The floating action inside the fitting allows for ±2 mm adjustment of the drawer front in two directions
- > Black plastic fitting with steel insert
- > Order fixing screws separately
- > Order qty: 1 pc



	Cat. No.
Drawer front adjuster	430.90.320



HÄFELE  
LIFETIME  
GUARANTEE\*

## MATRIX BOX DRAWER SYSTEMS

Matrix by Häfele, is a versatile drawer range, with universal style and function. With a premium soft close full extension runner at the heart of the system, the Matrix drawer range offers elegant movement and smooth operation for the user. Plus, easy installation will make the range an installer favourite too.

Covered by the Häfele Lifetime Guarantee of up to 25 years, Matrix is built to last, so you can have confidence in the quality of every single drawer box. With three options in this range, you're sure to find the solution for your project, whether that be for residential or commercial application.

**Matrix Box S** – Standard, twin walled system

**Matrix Box A** – Advanced, slim walled system

**Matrix Box P** – Premium, twin walled system with further options

\*The Häfele Lifetime Guarantee covers normal use of the products in a domestic environment – for commercial environments our standard 12-month guarantee would apply – please contact our customer service team for more information. See [www.hafele.co.uk/guarantee](http://www.hafele.co.uk/guarantee) for more details.

# LOCKING SYSTEMS



We offer a whole range of cabinet locking solutions, with locks that can be used to secure small cabinets using rim, cam or minilock systems, to larger office furniture using Espagnolette and Picolo Nova systems. Whether you want to lock away your drawers or cabinets – we've got a solution for you.



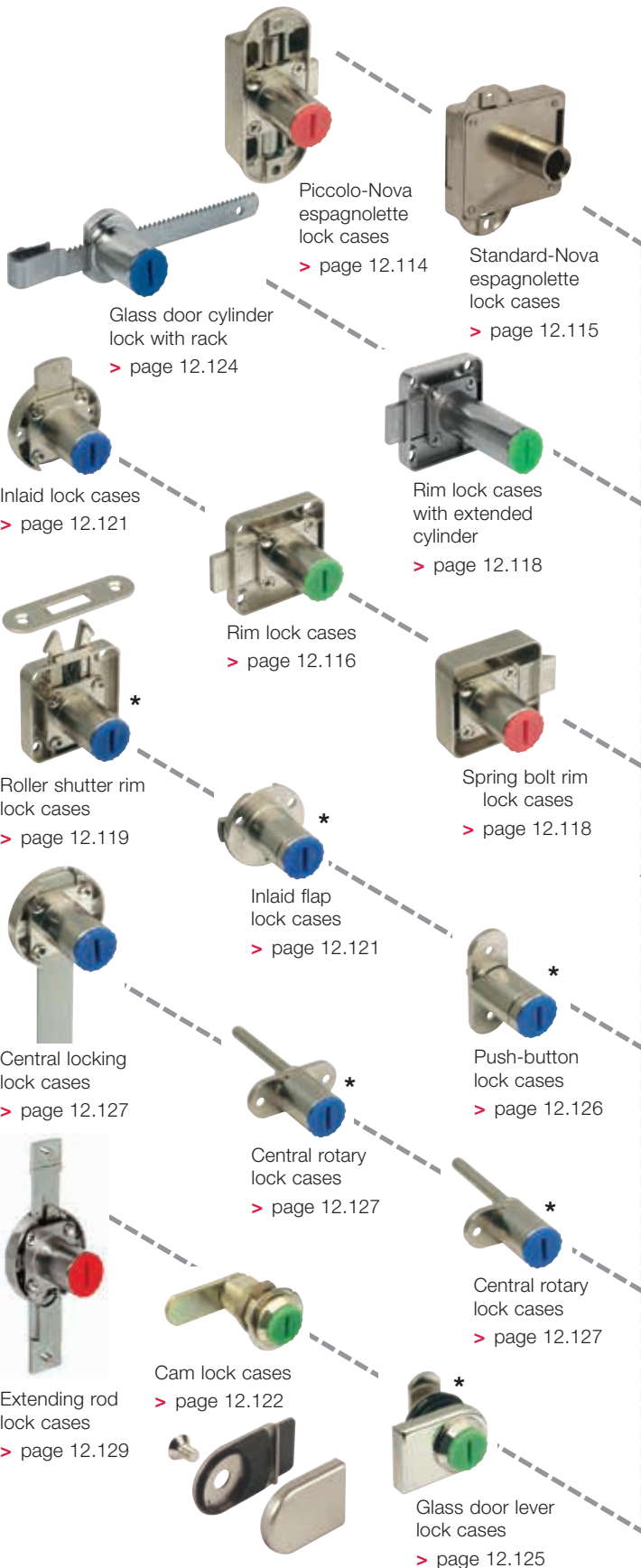


# SYMO 3000 - A MODULAR SYSTEM

Allows the lock cases to be pre-mounted to the furniture. Cylinders with or without lock handles can then be added later.



- > The same cylinder core with pin tumblers or plate levers will fit most of the various types of lock handle and lock case
- > Each lock case comes with a protective cap on the cylinder housing which protects against damage and dirt. The protective cap is designed with a slot which can be operated using a screwdriver or coin - the lock can therefore be used or tested before a cylinder core has been installed.
- > Cylinder cores can be installed, repositioned or replaced quickly without tools, simply by using the removal key
- > \*These lock cases are only suitable for use with plate lever cylinder cores shown on pages **12.135-136**



Fixed and lock handles  
> page 12.132

Cylinder core with 6 pairs of pin tumblers  
> page 12.140



Removal key  
> page 12.140

Cylinder core with 6 plate levers  
> page 12.135-137

12

Office Furniture Fittings: Locking Systems

TOH TECHNOLOGY 2022, © Hafele U.K. Ltd 2022. Dimensional data not binding. We reserve the right to alter specifications without notice.



## Symo Cylinder removable core system from Häfele

- > Symo is a cylinder removable core system from Häfele. Without tools and time-consuming installation, it provides maximum flexibility at minimum costs and effort
- > Due to the variety of components within the Symo system, all present and future applications can be covered – and all this with maximum freedom during planning and execution
- > All lock components of the Symo system can be combined as required and exchanged, modified or upgraded at any time
- > Locking maps can be modified easily, quickly and economically. Only the cylinder core is replaced (without tools), the lock - and therefore the piece of furniture - remains untouched

## Rational furniture production

Since the lock and the cylinder core are separated, the locks can be pre-mounted in the furniture and are fully functional through their protective caps. The protective caps can be replaced easily and without tools by the required cylinder removable core at any time. The furniture can therefore be produced independently from its future use and from the required locking maps, and can be equipped with the required locks. This allows rational mass-production. The individual locks can be integrated into the locking map by inserting the cylinder cores at any time, even after the furniture has been set up

## Installation and disassembly of cylinder cores without tools

No tools are required for inserting and removing the cylinder cores, which can also be done at any time after the locks have been installed. The cylinder cores can only be inserted or removed with the lock in open position. The cylinder can be removed using a removal key

**Maintain the cylinder cores every 6 month, but do not treat the cylinder cores with graphite or resin**

## Flexibility and economic efficiency – at any time

Previously, removals, changed locking maps and security requirements as well as lost keys were the weak points of every locking map which always required time-consuming and costly modification measures. Symo provides maximum flexibility even years after completion. Simply replace the cylinder cores to adapt the furniture locking concept to changed requirements. No tools are required and the installation is fast and easy

## Plate cylinder or pin tumbler cylinder?

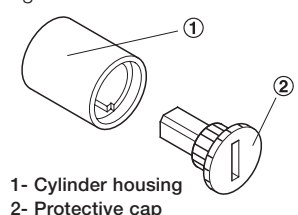
Whatever the requirements are: Symo is prepared

With the Symo locking system you can choose between plate cylinders and pin tumbler cylinders

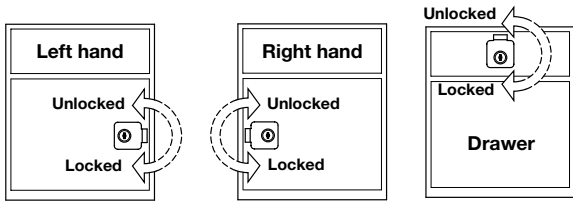


## One protective cap, several functions

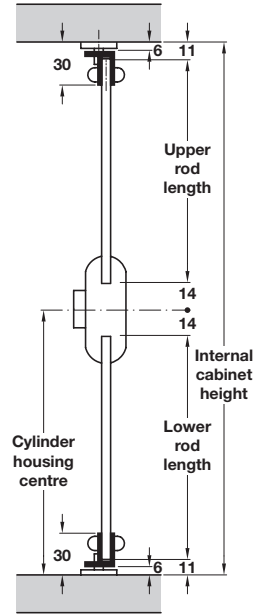
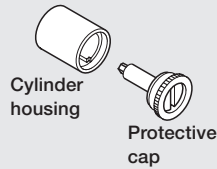
The protective caps for the Symo locks not only protect the interior of the cylinder housing against dirt or damages during the construction phase, but also function as building site keys that can be operated with a coin or screwdriver due to their design. After construction is completed, the protective caps can be removed easily without tools and replaced by the required cylinder cores



# SYMO 3000 ESPAGNOLETTE LOCK CASES



The locks can be operated by turning the protective cap with a screwdriver or coin, before the cylinder cores are installed

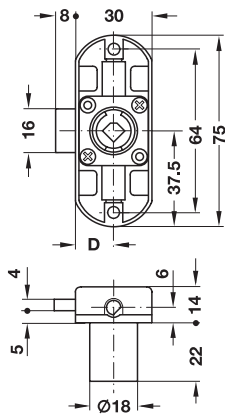


Maximum rod dimensions:  
 Upper rod length = cylinder housing centre - 25 mm  
 Lower rod length = cylinder housing centre - 25 mm

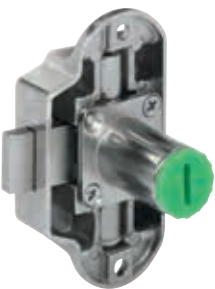
## Symo 3000 Piccolo-Nova lock case



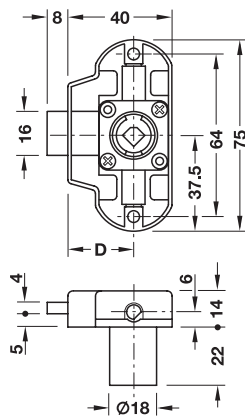
15 mm backset



- > For on-site installation of cylinder cores
- > Backset D: 15 or 25 mm
- > Screw fixing
- > For Ø 6 mm divided profile rod
- > Left or right handed
- > Nickel-plated zinc alloy
- > Order qty: 1 pc



25 mm backset



Order cylinder rosette separately, shown on page **12.137**

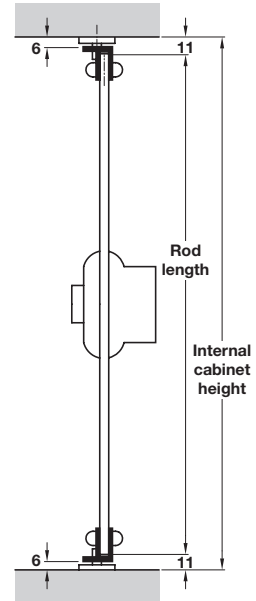
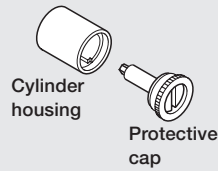
Backset D	Left	Right
15 mm	224.64.650	224.64.600
25 mm	224.64.660	224.64.610



- > Espagnolette lock accessories for Ø 6 mm profile rod suitable for Symo are shown on pages **12.134-136**
- > Lock handles for Symo 3000 lock cases are shown on page **12.132-133**
- > Cylinder cores for Symo 3000 lock cases are shown on pages **12.140-142**



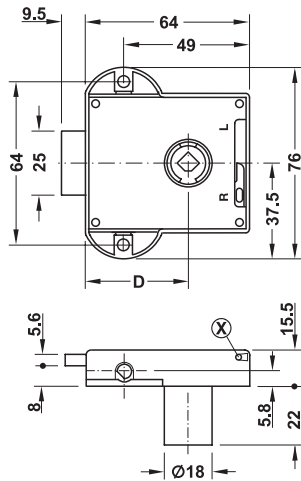
The locks can be operated by turning the protective cap with a screwdriver or coin, before the cylinder cores are installed



## Symo 3000 Standard-Nova lock case



- > For on-site installation of cylinder cores
- > Backset D: 40 mm
- > Screw fixing
- > For Ø 6 mm or Ø 8 mm profile rod
- > Unhanded
- > Nickel-plated zinc alloy
- > Order qty: 1 pc



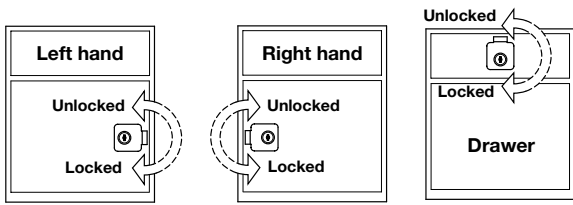
Order cylinder rosette separately, shown on page **12.137**

For profile rod	Cat. No.
Ø 6 mm	224.65.610
Ø 8 mm	224.65.600



- > Espagnolette lock accessories for Ø 6 mm profile rod suitable for Symo are shown on pages **12.134-136**
- > Lock handles for Symo 3000 lock cases are shown on page **12.132-133**
- > Cylinder cores for Symo 3000 lock cases are shown on pages **12.140-142**

# SYMO 3000 RIM LOCK CASES



**!** The locks can be operated by turning the protective cap with a screwdriver or coin, before the cylinder cores are installed

Cylinder housing  
Protective cap

## Symo 3000 rim lock case

Left hand

- > For on-site installation of cylinder cores
- > Backset: 23 mm
- > Left, right or drawer versions
- > Nickel-plated zinc alloy
- > Order qty: 1 pc

Right hand

Drawer

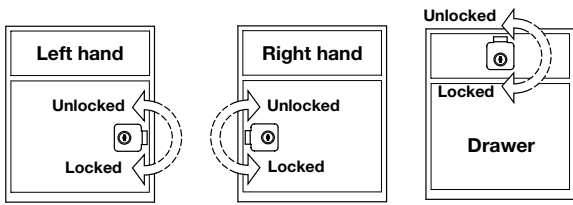


Cylinder housing length	22 mm	32 mm
Left hand version	232.26.610	-
Right hand version	232.26.600	-
Drawer version	232.26.620	232.26.680

**➔** Order cylinder rosette separately, shown on page **12.137**

**➔** Lock handles for Symo 3000 lock cases are shown on page **12.132-133**  
**➔** Cylinder cores for Symo 3000 lock cases are shown on pages **12.140-142**

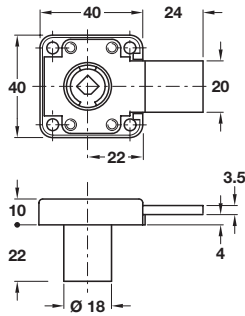
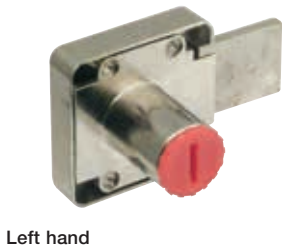




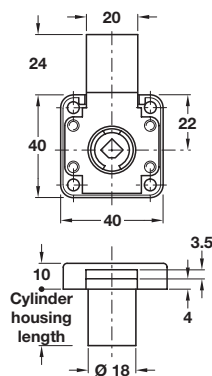
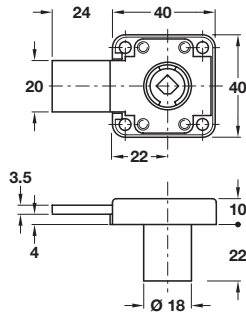
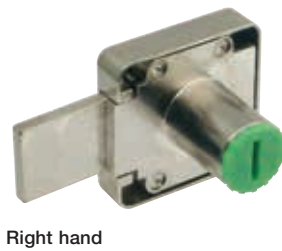
**!** The locks can be operated by turning the protective cap with a screwdriver or coin, before the cylinder cores are installed

Cylinder housing  
Protective cap

## Symo 3000 rim lock case



- > For on-site installation of cylinder cores
- > Backset: 22 mm
- > Left, right or drawer versions
- > Nickel-plated zinc alloy
- > Order qty: 1 pc



TCH TECHNOLOGY 2022. © Häfele U.K. Ltd 2022. Dimensional data not binding. We reserve the right to alter specifications without notice.



Cylinder housing length	22 mm	32 mm
Left hand version	232.25.610	-
Right hand version	232.25.600	-
Drawer version	232.25.620	232.25.680

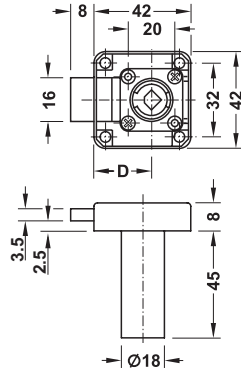
**➔** Order cylinder rosette separately, shown on page **12.137**

**➔** Lock handles for Symo 3000 lock cases are shown on page **12.132-133**  
**➔** Cylinder cores for Symo 3000 lock cases are shown on pages **12.140-142**

Symo 3000 dead bolt rim lock



Right hand



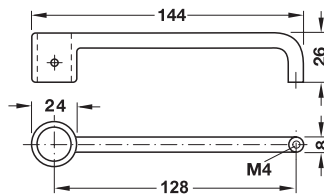
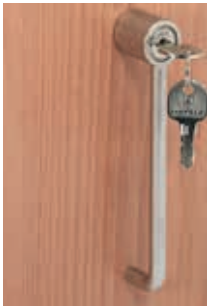
- > With extended cylinder housing
- > For on-site installation of cylinder cores
- > Backset D: 25 mm
- > Nickel-plated zinc alloy
- > Order qty: 1 pc



Order lock handle 232.26.699 separately, shown below

Version	Cat. No.
Left hand	232.26.612
Right hand	232.26.602
Drawer version	232.26.622

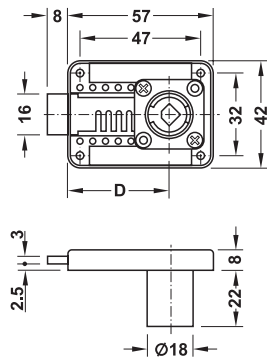
Symo 3000 lock handle



- > For use with rim lock with extended cylinder housing
- > For screw fixing (to cylinder housing with SW2 grub screws, handle end to door with M4 screw)
- > Zinc alloy
- > Order qty: 1 pc

Finish	Cat. No.
Nickel-plated	232.26.699

Symo 3000 dead bolt rim lock



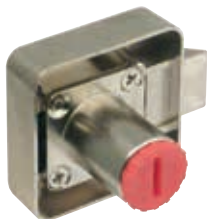
- > With adjustable backset
- > For on-site installation of cylinder cores
- > Backset D: Adjustable in steps of 5 mm, 15-40 mm
- > Nickel-plated zinc alloy
- > Order qty: 1 pc



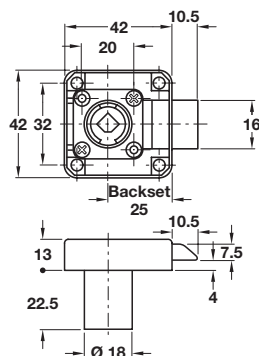
Order lock handle 232.26.699 separately, shown above

Version	Cat. No.
Left hand, right hand or drawer version	232.26.690

Symo 3000 spring bolt rim lock case



Left hand



- > For on-site installation of cylinder cores
- > Backset: 25 mm
- > The bolt is fixed in the unlocked position
- > Nickel-plated zinc alloy
- > Order qty: 1 pc



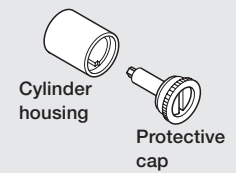
Order cylinder rosette separately, shown on page 12.137

Version	Cat. No.
Left hand	232.37.624
Right hand	232.37.623
Drawer	232.37.625

# SYMO 3000 ROLLER SHUTTER RIM LOCK CASE



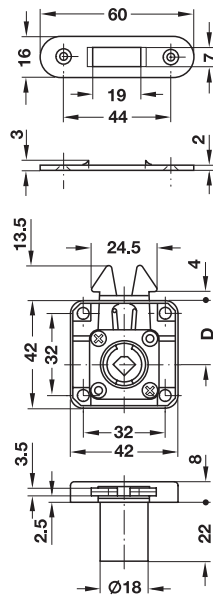
The locks can be operated by turning the protective cap with a screwdriver or coin, before the cylinder cores are installed



Cylinder housing

Protective cap

## Symo 3000 roller shutter rim lock case



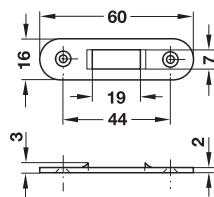
- > For on-site installation of cylinder cores
- > Backset D: 24.5 mm
- > Nickel-plated zinc alloy
- > Accessories: 1x steel striking plate
- > Order qty: 1 pc



Roller shutter rim lock cores are only suitable for use with plate lever cylinder cores shown on pages **12.141-142**

Version	Cat. No.
Drawer version	232.30.620

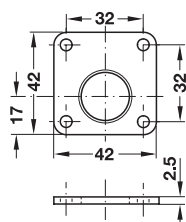
## Symo 3000 striking plate



- > For screw fixing
- > Nickel-plated steel
- > Order qty: 1 pc

Finish	Cat. No.
Nickel-plated	233.30.990

## Symo 3000 spacer plate



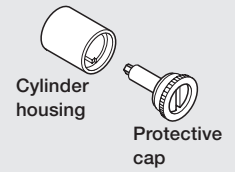
- > Light grey plastic
- > Order qty: Multiples of 10 pcs

Thickness	Cat. No.
2.5 mm	232.26.990

# SYMO 3000 ROLLER SHUTTER MORTICE LOCK CASE



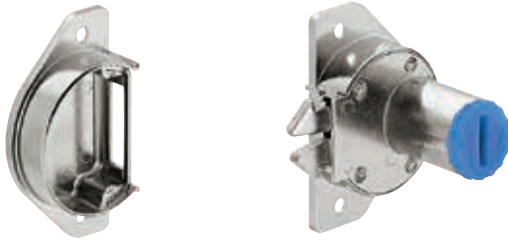
The locks can be operated by turning the protective cap with a screwdriver or coin, before the cylinder cores are installed



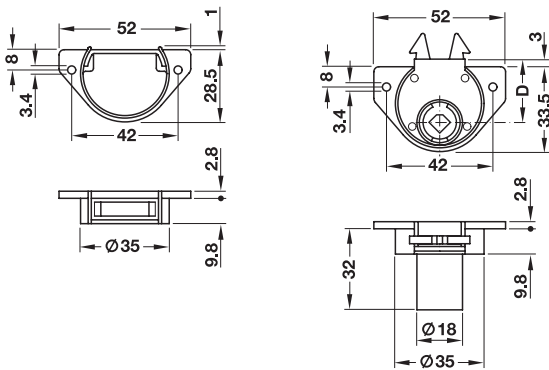
Cylinder housing

Protective cap

## Symo 3000 roller shutter mortice lock case



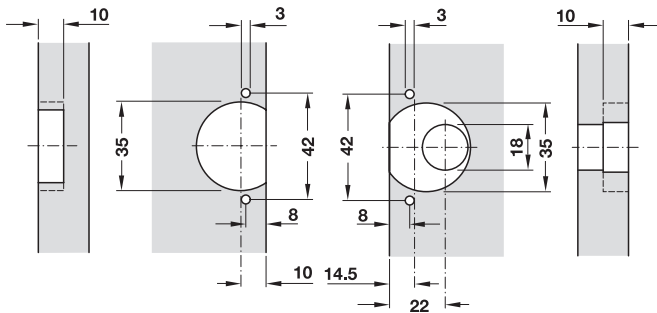
- > For on-site installation of cylinder cores
- > Backset D: 22 mm
- > For recess mounting and screw fixing
- > Nickel-plated zinc alloy
- > Order qty: 1 pc



12

Office Furniture Fittings: Locking Systems

### Drilling pattern

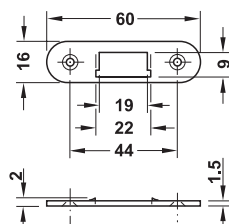


Version	Cat. No.
Roller shutter mortice lock	230.39.620
Counter case	230.39.690

## Symo 3000 striking plate



- > For use with roller shutter mortice lock
- > The striking plate can be used instead of the counter case
- > Nickel-plated steel
- > Order qty: 1 pc

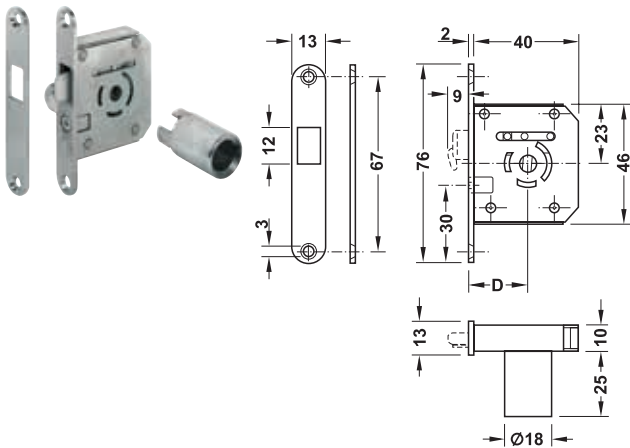


Finish	Cat. No.
Nickel-plated	230.39.990

TOH TECHNOLOGY 2022, © Hafele U.K. Ltd 2022. Dimensional data not binding. We reserve the right to alter specifications without notice.

## SYMO 3000 INLAID FLAP AND CAM LOCK CASES

### Symo 3000 hook bolt mortice lock

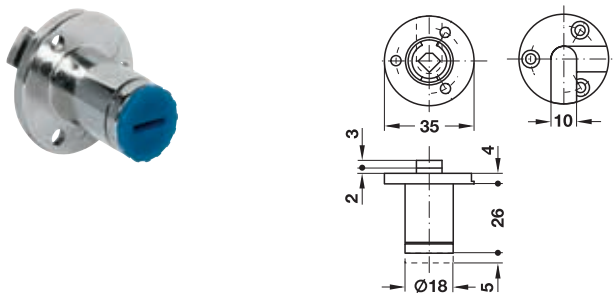


- > For on-site installation of cylinder cores
- > For recess mounting and screw fixing
- > Backset D: 22 mm
- > Supplied with: 1x mortice lock, 1x cylinder housing, 1x striking plate
- > Nickel-plated zinc alloy
- > Order qty: 1 pc



Version	Cat. No.
Right hand	230.36.600

### Symo 3000 inlaid flap lock case

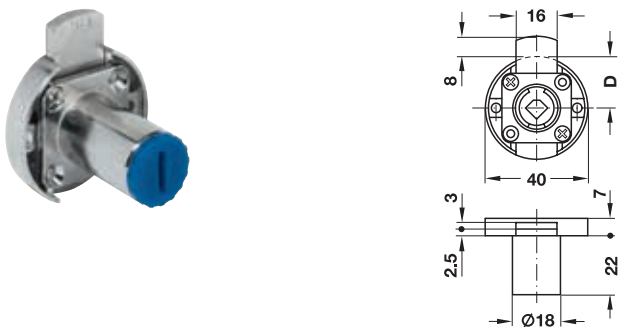


- > For on-site installation of cylinder cores
- > Zinc alloy
- > Order qty: 1 pc



Finish	Cat. No.
Nickel-plated	219.20.600

### Symo 3000 inlaid lock case, drawer version

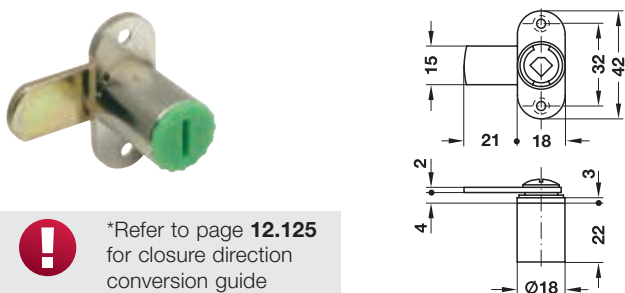


- > For on-site installation of cylinder cores
- > Backset D: 20 mm
- > Zinc alloy
- > Order qty: 1 pc



Finish	Cat. No.
Nickel-plated	230.28.620

### Symo 3000 cam lock case



- > For on-site installation of cylinder cores
- > Closure travel 90°, convertible\*
- > Nickel-plated zinc alloy
- > Supplied with: 1x locking cam, 1x mounting screw, 1x steel washer
- > Order qty: 1 pc



Closure direction	A (D, F, G*)	B (C, E, H*)
Cat. No.	235.59.600	235.59.610



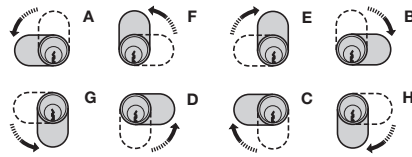
\*Refer to page 12.125 for closure direction conversion guide



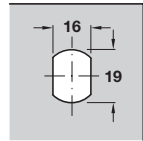
- > For all locks on this page order cylinder rosette separately, shown on page 12.137
- > Lock handles for Symo 3000 lock cases are shown on page 12.132-133
- > The Symo 3000 lock cases on this page are only suitable for use with plate lever cylinder cores shown on pages 12.140-141

# SYMO 3000 CAM LOCK CASES

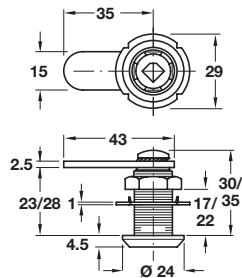
- > 90° Closure direction:
- > Closure directions can be altered by re-positioning the cam, but always moving in the same direction:
- > Closure direction A can be altered to D, F or G
- > Closure direction B can be altered to C, E or H



Drilling diagram



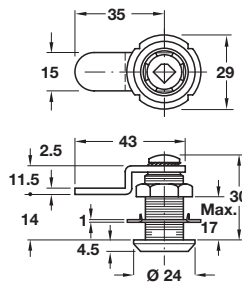
## Cam lock case, straight locking cam



- > For on-site installation of cylinder cores
- > With straight cam
- > Closure travel 90°, convertible\*
- > Polished nickel-plated zinc alloy
- > Supplied with: 1x locking cam, 1x mounting screw, 1x nut and 1x steel lock washer
- > Order qty: 1 pc

Closure direction	A (D, F, G*)	B (C, E, H*)
Maximum thread 17 mm	235.88.600	235.88.610
Maximum thread 22 mm	235.88.620	235.88.630

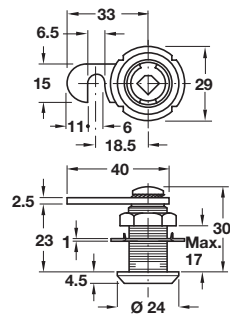
## Cam lock case, cranked locking cam



- > For on-site installation of cylinder cores
- > With cranked cam
- > Closure travel 90°, convertible\*
- > Polished nickel-plated zinc alloy
- > Supplied with: 1x locking cam, 1x mounting screw, 1x nut and 1x steel lock washer
- > Order qty: 1 pc

Closure direction	A (D, F, G*)	B (C, E, H*)
Cat. No.	235.88.820	235.88.830

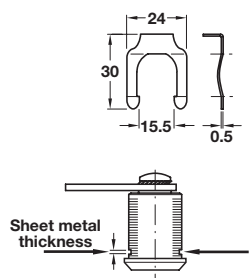
## Cam lock case, hook cam



- > For on-site installation of cylinder cores
- > With hook cam
- > Closure travel 90°, convertible\*
- > Polished nickel-plated zinc alloy
- > Supplied with: 1x locking cam, 1x mounting screw, 1x nut and 1x steel lock washer
- > Order qty: 1 pc

Closure direction	A (D, F, G*)	B (C, E, H*)
Cat. No.	235.88.720	235.88.730

## Cam lock clip



- > For sheet metal thickness of 0.8-1.5 mm
- > For use when mounting cam locks into metal doors
- > Steel
- > Order qty: 1 pc

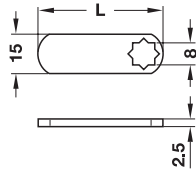
Finish	Cat. No.
Nickel-plated	235.88.990



Symo 3000 locking cam, straight



- > For Symo cam locks
- > Galvanized steel
- > Order qty: 1 pc

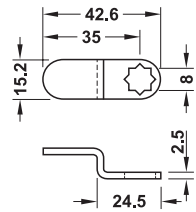


Length L	Cat. No.
48 mm	235.88.982

Symo 3000 locking cam, cranked



- > For Symo cam locks
- > Galvanized steel
- > Order qty: 1 pc

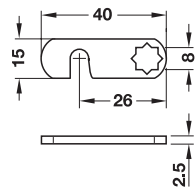


Length	Cat. No.
42.6 mm	235.88.970

Symo 3000 hook cam



- > For Symo cam locks
- > Galvanized steel
- > Order qty: 1 pc



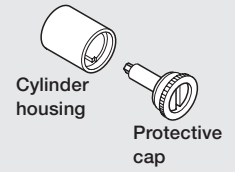
Length	Cat. No.
40 mm	235.88.983

TCH TECHNOLOGY 2022. © Häfele U.K. Ltd 2022. Dimensional data not binding. We reserve the right to alter specifications without notice.

# SYMO 3000 GLASS DOOR LOCK CASES



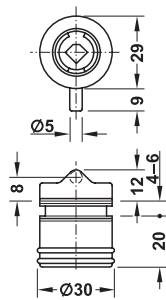
The locks can be operated by turning the protective cap with a screwdriver or coin, before the cylinder cores are installed



Cylinder housing

Protective cap

## Symo 3000 glass door lock for hinged doors, for screw fixing

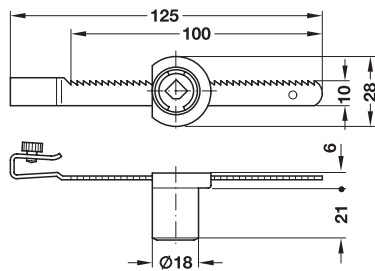


- > For on-site installation of cylinder cores
- > For glass door thickness 4-6 mm
- > For screw fixing with rear plate
- > Zinc alloy
- > Mounting: Key turn to the left
- > Supplied with:
  - 1x Glass door lock for hinged doors
  - 3x Rubber disks
  - 2x Threaded screws
- > Order qty: 1 pc

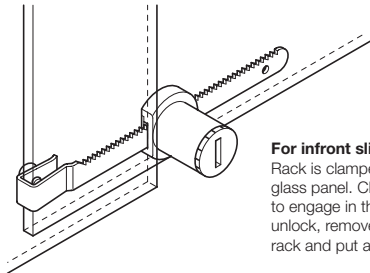
Finish	Cat. No.
Polished nickel plated	233.43.700
Matt nickel plated	233.43.600

12

## Symo 3000 glass door cylinder lock with rack



**Installation**



**For infront sliding doors:**  
Rack is clamped onto the rear glass panel. Clip on lock and allow to engage in the rack. In order to unlock, remove the lock from the rack and put aside

- > For glass panels from 4-7 mm
- > For on-site installation of cylinder cores
- > Zinc alloy housing
- > Stainless steel rack
- > Order qty: 1 pc

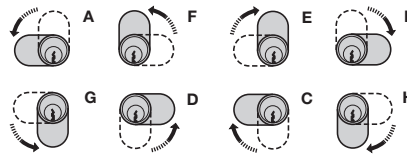
Housing finish	Cat. No.
Matt nickel-plated	233.44.600



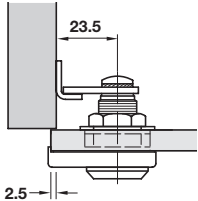
- > Lock handles for Symo 3000 lock cases are shown on page **12.132-133**
- > Cylinder cores for Symo 3000 lock cases are shown on pages **12.140-142**

# SYMO 3000 GLASS DOOR LEVER LOCK CASES

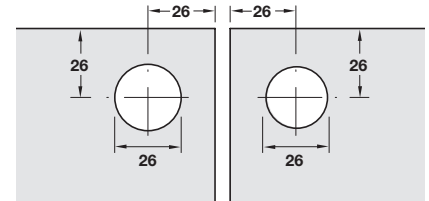
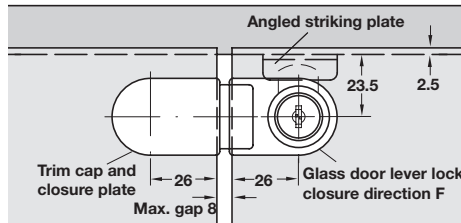
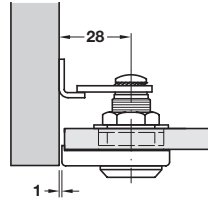
- > 90° Closure direction:
- > Closure directions can be altered by re-positioning the cam, but always moving in the same direction\*:
- > Closure direction A can be altered to D, F or G
- > Closure direction B can be altered to C, E or H



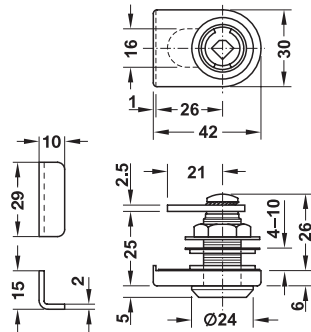
## Overlay doors



## Inset doors



## Symo 3000 glass door lever lock case



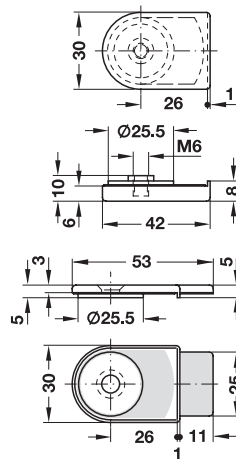
- > For on-site installation of cylinder cores
- > For glass thickness 4-10 mm
- > Closure travel: 90° locking cam (reversible), 180° key
- > Zinc alloy
- > Supplied with: 1x locking cam, 1x nut and 1x angled steel striking plate, 1x clamping plate and 1x clamping plastic rosette
- > Order qty: 1 pc

Closure direction	A (D, F, G)	B (C, E, H)
Polished nickel-plated	233.42.600	233.42.610
Matt nickel-plated	233.42.700	233.42.710

## Trim cap and closure plate



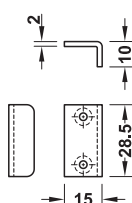
- \*\*Threaded screws:
- M6 x 10 mm for glass panels up to 8 mm
  - M6 x 12 mm for glass panels up to 10 mm



- > For use on double doors, opposite the lock
- > For glass panels from 4-10 mm\*\*
- > Use on left or right hand door
- > Zinc alloy
- > Supplied with: 2x M6 threaded screws, 2x plastic clamping plates and 1x clamping element
- > Order qty: 1 pc

Finish	Cat. No.
Polished nickel-plated	233.40.712
Matt nickel-plated	233.40.610

## Symo 3000 angled striking plate



- > For screw fixing
- > Steel
- > Order qty: 1 pc

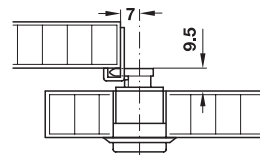
Finish	Cat. No.
Matt nickel plated	233.42.790



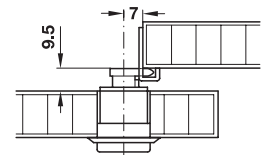
- > Lock handles for Symo 3000 lock cases are shown on page **12.132-133**
- > Symo 3000 glass door lever lock cases are only suitable for use with plate lever cylinder cores shown on pages **12.140-142**

# SYMO 3000 PUSH AND TURN AND PUSH-BUTTON LOCKS

- > 180° Closure direction:
- > The rotary bolt further protects high sliding doors against being pushed in
- > Can only be locked and unlocked by the key
- > Closure direction A or B

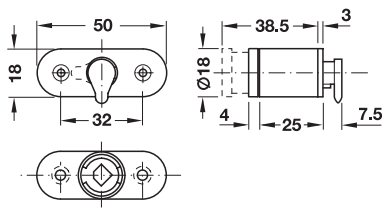


Closure direction A



Closure direction B

## Symo 3000 push and turn lock



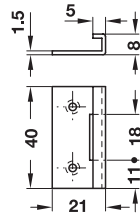
- > For on-site installation of cylinder cores
- > With rotating bolt
- > Backset: 25 mm
- > Nickel-plated zinc alloy
- > Order qty: 1 pc



Order angled striking plate 239.01.910 separately, shown below

Closure direction	Cat. No.
A	234.67.610
B	234.67.660

## Symo 3000 angled striking plate

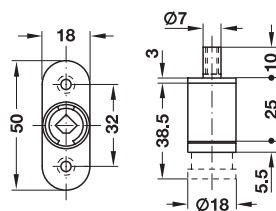


- > For use with Symo push and turn lock
- > For screw fixing
- > Steel
- > Order qty: 1 pc



Finish	Cat. No.
Galvanized	239.01.910

## Push-button lock case



- > For on-site installation of cylinder cores
- > Locking pin with M5 internal thread
- > Zinc alloy
- > Order qty: 1 pc



Order locking socket separately, shown on page 12.137

Finish	Cat. No.
Nickel-plated	234.65.600



Order reference: Only use Premium 20 cylinder cores with restricted rotation and direction when using pin tumbler cylinder cores

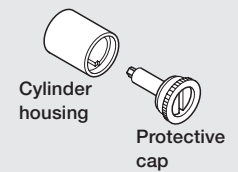


- > For all locks on this page order cylinder rosette separately, shown on page 12.137
- > Lock handles for Symo 3000 lock cases are shown on page 12.132-133
- > The Symo 3000 lock cases on this page are only suitable for use with plate lever cylinder cores shown on pages 12.140-142

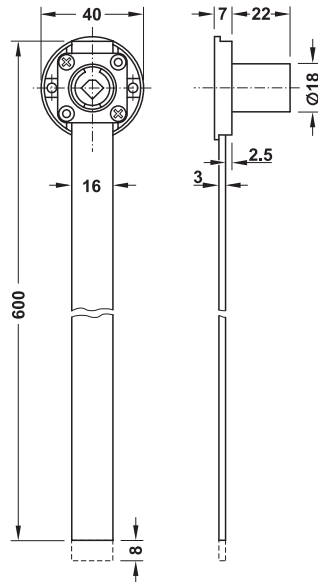
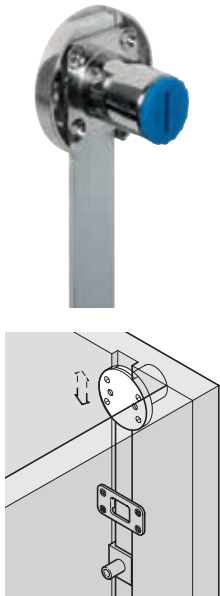
# SYMO 3000 CENTRAL LOCKING SYSTEM



The locks can be operated by turning the protective cap with a screwdriver or coin, before the cylinder cores are installed



## Symo 3000 central lock case

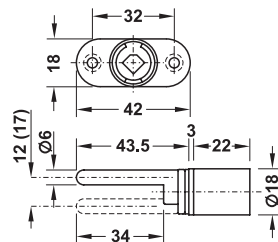
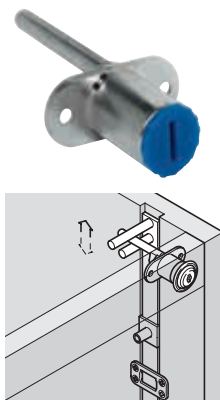


- > For on-site installation of cylinder cores
- > For recessing in the cabinet side panel
- > 600 mm bar - can be cut to length
- > Zinc alloy lock with aluminium bar
- > Order qty: 1 pc



Finish	Cat. No.
Nickel-plated	237.48.600

## Symo 3000 central rotary lock case, twin wing

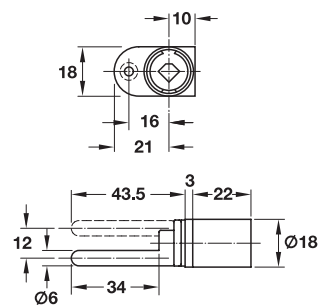


- > For on-site installation of cylinder cores
- > For installation in the front panel
- > With lifting pin, closure travel 180°
- > Zinc alloy
- > Order qty: 1 pc



Travel	12 mm	17 mm
Nickel-plated	234.98.600	234.98.610

## Symo 3000 central rotary lock case, single wing



- > For on-site installation of cylinder cores
- > For installation in the front panel
- > With lifting pin, closure travel 180°
- > Zinc alloy
- > Order qty: 1 pc



Travel	12 mm	17 mm
Nickel-plated	234.98.650	234.98.660



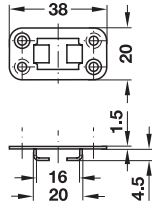
- > Symo 3000 central locking accessories are shown on page **12.128**
- > For all locks on this page order cylinder rosette separately, shown on page **12.137**
- > Lock handles for Symo 3000 lock cases are shown on page **12.132-133**
- > Cylinder cores for Symo 3000 lock cases are shown on pages **12.140-142**

TCH TECHNOLOGY 2022. © Häfele U.K. Ltd 2022. Dimensional data not binding. We reserve the right to alter specifications without notice.

Open bar guide



- > Suitable for surface or recess mounting
- > Steel
- > Order qty: Multiples of 10 pcs

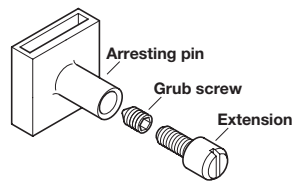
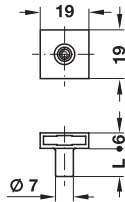


Finish	Cat. No.
Galvanized	237.23.006

Arresting pins



- > For general purpose use
- > Matt nickel-plated zinc alloy
- > Accessories: 1x grub screw
- > Order qty: Multiples of 10 pcs

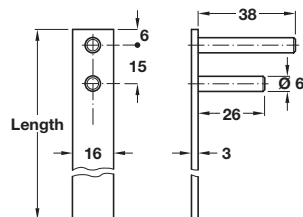


Length L	Cat. No.
6.5 mm	237.22.120
13.0 mm	237.22.100

Central locking bar



- > Bar can be cut to length
- > Bright aluminium
- > Order qty: 1 pc



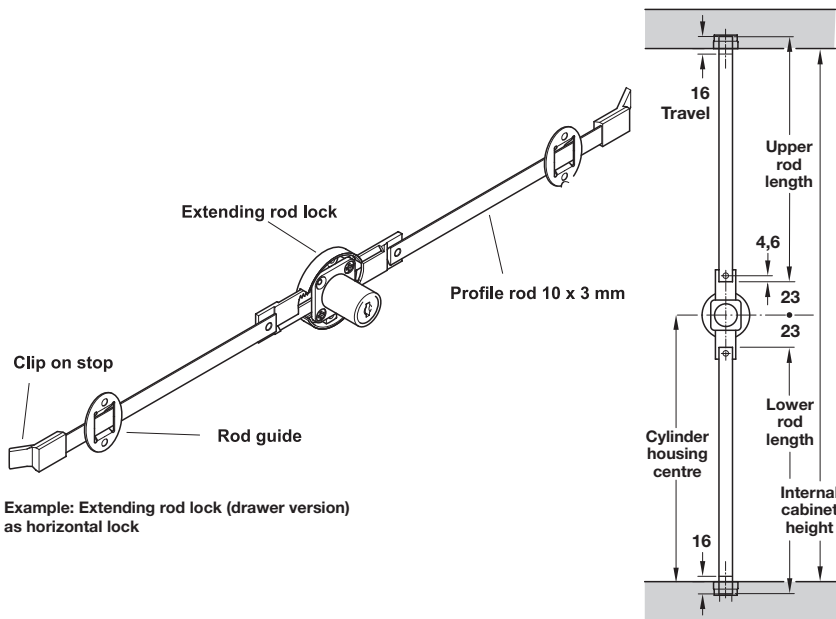
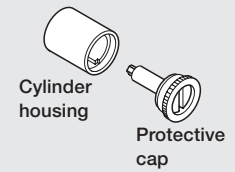
Length	Cat. No.
600 mm	237.10.002
800 mm	237.10.004
1000 mm	237.10.006
1500 mm	237.10.009



# SYMO 3000 EXTENDING LOCK CASES

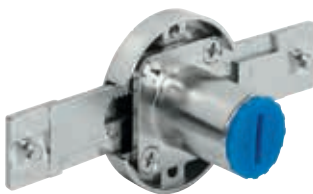


The locks can be operated by turning the protective cap with a screwdriver or coin, before the cylinder cores are installed



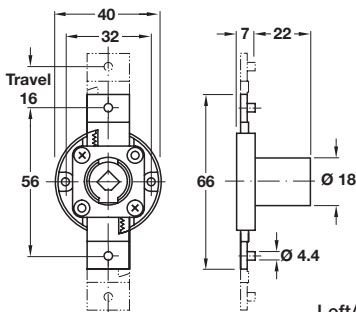
Example: Extending rod lock (drawer version) as horizontal lock

## Symo 3000 extending rod lock case



Drawer version

- > For on-site installation of cylinder cores
- > Screw fixing
- > Nickel-plated zinc alloy
- > Order qty: 1 pc



Left/Right hand



Order lock accessories separately, shown on page **12.130**



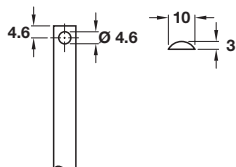
- > For all locks on this page order cylinder rosette separately, shown on page **12.137**
- > Lock handles for Symo 3000 lock cases are shown on page **12.132-133**
- > Cylinder cores for Symo 3000 lock cases are shown on pages **12.140-142**

Version	Cat. No.
Left hand version	237.76.620
Right hand version	237.76.610
Drawer version	237.76.600

Profile rod



- > Galvanized steel, solid profile
- > Order qty: 1 pair (order 1 pair per door)

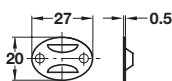


For approx. 2000 mm high doors	Cat. No.
1 pair = 2x 975 mm lengths	239.81.930
For approx. 2500 mm high doors	Cat. No.
1 pair = 1x 975 mm, 1x 1475 mm length	239.81.950

Rod guide



- > For 10 x 3 mm profile rods
- > Steel
- > Order qty: Multiples of 10 pcs

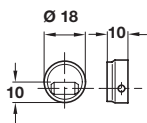


Finish	Cat. No.
Polished nickel-plated	239.68.014

Base catch with roller



- > For press-fit mounting
- > Plastic with steel pin and rollers
- > Order qty: 1 pc

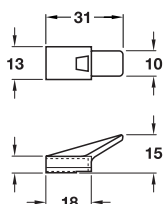


Colour	Cat. No.
White	239.60.750

Clip on stop



- > To clip onto the profile rods
- > Plastic
- > Order qty: 1 pc



Colour	Cat. No.
Black	237.74.920



# DIALOCK ACCESS TECHNOLOGY

## **Advanced identification and locking system**

Engineered to meet the most stringent of security standards, Dialock is an advanced identification and locking system that can be found worldwide. Centrally managed authorisation gives the ability to assign various access rights with time-restricted admittance.

# SYMO 3000 HANDLES

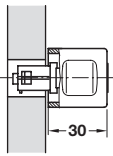


Fig. shows: 30 mm lock handle with 1.2 mm cover plate and plate lever cylinder core

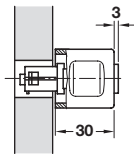
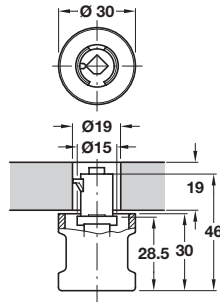


Fig. shows: 30 mm lock handle with 4.2 mm cover plate and pin tumbler cylinder core



- > Symo 3000 lock cases are shown on pages **12.114-129**
- > Cylinder cores for Symo 3000 lock cases are shown on pages **12.140-142**

## Lock handle for cylinder cores, without rings



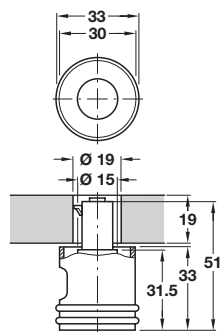
- > For on-site installation of cylinder cores
- > Handed
- > Length: 30 mm
- > For 19 mm wood thickness
- > Matt nickel-plated zinc alloy
- > Order qty: 1 pc



It is only possible to remove the lock handle by using the release pin

Version	Left	Right
Lock handle without rings	229.80.620	229.80.610

## Lock handle for cylinder cores, with rings



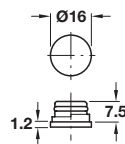
- > For on-site installation of cylinder cores
- > Handed
- > Length: 33 mm
- > For 19 mm wood thickness
- > Matt nickel-plated zinc alloy
- > Order qty: 1 pc



It is only possible to remove the lock handle by using the release pin

Version	Left	Right
Lock handle with rings	229.84.601	229.84.600

## Cover plate



- > For rotary handles, adapter knobs and knobs
- > Installation: To clip in
- > Matt nickel-plated zinc alloy
- > Order qty: 1 pc

Thickness	Cat. No.
1.2 mm	229.83.691

## Release pin



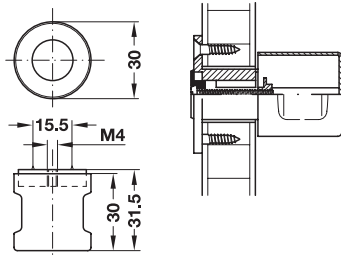
- > For separating the rotary handles from the locks of the Symo system
- > Plastic cap with steel pin
- > Order qty: 1 pc

Item	Cat. No.
Release pin	229.85.990

Adaptor knob, fixed



- > For mass production, 19 mm drill hole where a uniform pattern for rotary handle and fixed adaptor knob is required
- > For door thickness 19 mm
- > For screw fixing on adaptor housing
- > Length: 30 mm
- > With shoulder and M4 internal thread
- > Zinc alloy
- > Supplied with:
  - 1x Adaptor knob with cover cap
  - 1x M4 x 25 mm fixing screw
- > Order qty: 1 pc

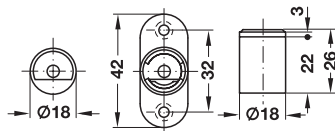


Finish	Cat. No.
Matt nickel-plated	229.82.600

Symo 3000 adaptor housing



- > With screw on plate
- > Zinc alloy
- > Order qty: 1 pc

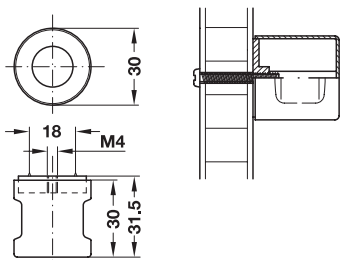


Finish	Cat. No.
Matt nickel plated	229.82.690

Adaptor knob, fixed



- > With shoulder and M4 internal thread
- > For screw fixing
- > Length: 30 mm
- > Zinc alloy
- > Supplied with:
  - 1x Fixed knob with cover cap
  - 1x M4 x 25 mm fixing screw
- > Order qty: 1 pc



Finish	Cat. No.
Matt nickel-plated	229.81.600



- > Symo 3000 lock cases are shown on pages **12.114-129**
- > Cylinder cores for Symo 3000 lock cases are shown on pages **12.140-142**

# ESPAGNOLETTE LOCK ACCESSORIES

## Profile rod, Ø 6 and Ø 8 mm



- > Drawn steel
- > Rods are available in special lengths. Please enquire for further information
- > Order qty: 1 pc

Length	2.0 m	2.5 m
<b>Ø 6 mm</b>		
Polished nickel-plated	226.07.209	226.07.254
<b>Ø 8 mm</b>		
Polished nickel-plated	226.67.205	226.67.250

## Rod cover



- > To cover Ø 6 mm rods
- > Plastic
- > Order qty: Multiples of 50 pcs

Length	2.0 m
Brown	226.20.168

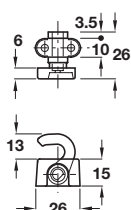
## Profile rod Ø 6 mm with cover



- > Bright drawn steel rod with plastic decorative tube
- > Order qty: 1 pc

Length	1.0 m
White cover	226.02.795
Brown cover	226.02.197

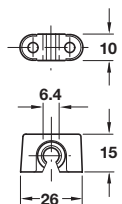
## Espagnolette top and bottom catch hooks



- > Screw fixing
- > For Ø 6 or Ø 8 mm rods with or without cover
- > Zinc-plated zinc alloy with plastic guides
- > Order qty: 1 pair

For rod Ø	Cat. No.
Ø 6 mm	226.30.761
Ø 8 mm	226.30.781

## Rod guides



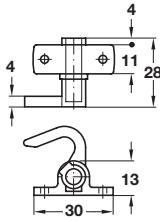
- > To suit Ø 6 mm rods without cover
- > Recommended for use every 0.5 m
- > Zinc alloy with plastic guides
- > Order qty: 1 pc

Finish	Cat. No.
Polished nickel-plated	239.75.761





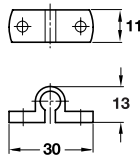
## Espagnolette top and bottom catch hooks



- > Screw fixing
- > For Ø 6 mm rods with or without cover
- > Handed
- > Brown or white plastic
- > Order qty: 1 pc

Finish	Left hand	Right hand
Brown	226.48.139	226.48.120

## Rod guide

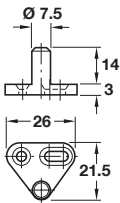


- > For Ø 6 mm rods without cover
- > Plastic
- > Order qty: Multiples of 100 pcs



Finish	Cat. No.
Brown	239.71.119

## Locking bolt

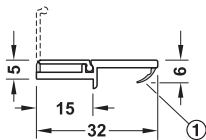


- > With screw fixing plate
- > Zinc alloy
- > Order qty: Multiples of 20 pcs



Finish	Cat. No.
Polished nickel-plated	226.57.708

## Closure strip

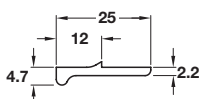


- > Concealed fixing
- > For two door closing
- > Plastic
- > Order qty: 1 pc



Length	2.5 m
Graphite black	239.93.364

## Closure strip



±0.2 mm tolerance on all dimensions

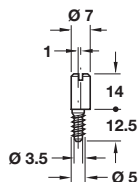
- > For two door closing
- > Plastic
- > Order qty: 1 pc



Length	2.5 m
Traffic white (Similar to RAL 9016)	239.92.755
Grey brown	239.92.155
Light grey (Similar to RAL 7035)	239.92.555
Black	239.92.355

# LOCKING BOLTS FOR ESPAGNOLETTE LOCKS

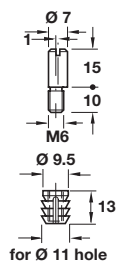
## Locking bolt



- > With wood screw thread
- > Eccentric, to adjust to the catch hook
- > Steel
- > Order qty: Multiples of 10 pcs

Finish	Cat. No.
Polished nickel-plated	226.52.704

## Locking bolt and socket fitting

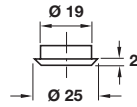


- > M6 screw thread of bolt fits M6 internal thread of the knock in dowel
- > Eccentric, to adjust to the catch hook
- > Steel bolt, nylon dowel
- > Order qty: Multiples of 10 pcs

Finish	Cat. No.
Polished nickel-plated	226.54.726

# ACCESSORIES FOR LOCKS - CYLINDER ROSETTES

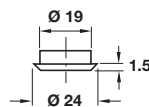
## Cylinder rosette



- > For use with Ø 18 mm cylinders
- > Steel
- > Order qty: Multiples of 100 pcs

Finish	Cat. No.
Polished nickel-plated	219.19.677

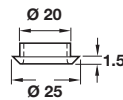
## Cylinder rosette



- > For use with Ø 18 mm cylinders
- > Steel or brass
- > Order qty: Multiples of 100 pcs

Finish	Cat. No.
<b>Steel</b>	
Matt nickel-plated	219.19.676
<b>Brass</b>	
Bright nickel	219.19.273

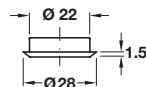
## Cylinder rosette



- > For use with Ø 19 mm cylinders
- > Brass
- > Order qty: Multiples of 10 pcs

Finish	Cat. No.
Bright nickel	219.27.686

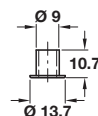
## Replacement cylinder rosette



- > For use with Ø 22 mm cylinders
- > Brass
- > Order qty: 1 pc

Finish	Cat. No.
Polished nickel-plated	219.19.685

## Locking socket



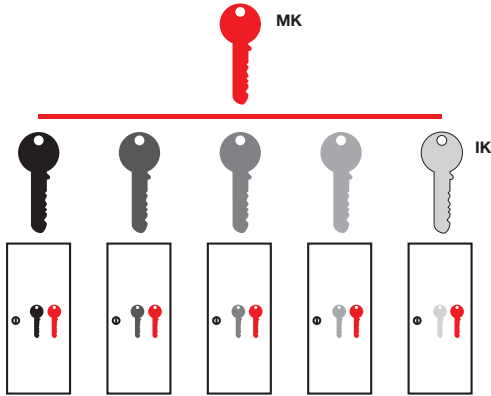
- > For use with push-button cylinder locks
- > Brass
- > Order qty: Multiples of 10 pcs

Finish	Cat. No.
Matt nickel-plated	234.59.994

TCH TECHNOLOGY 2022. © Häfele U.K. Ltd 2022. Dimensional data not binding. We reserve the right to alter specifications without notice.

# MASTER KEY LOCKING SYSTEM ORGANISATION

Locking plans are useful for organising comprehensive master key locking systems. They make organisation much easier. Basically, a distinction is made between two systems: Simple organisation with a master key (abbreviated to MK) and multi-level organisation with a general master key (abbreviated to GMK).

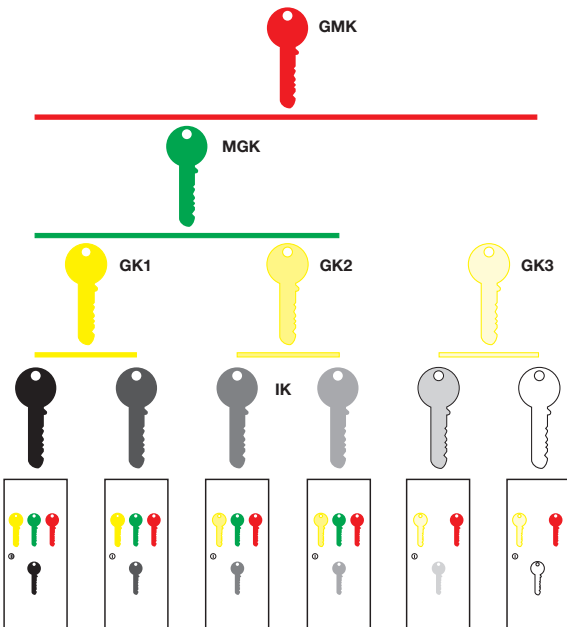


**> Organisation with master key (MK locking systems):**

MK systems have several individual keys (IK) that are keyed to differ, i.e. they are not interchangeable

The master key (MK) overrides all of the individual keys and therefore opens every lock in this system

MK locking systems are ideal for small offices with one manager and several employees

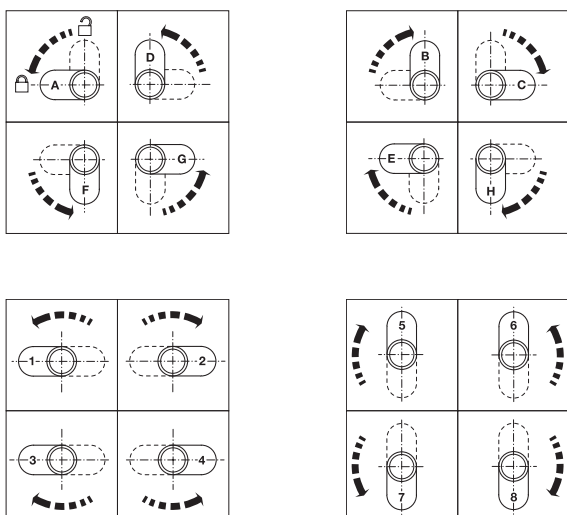


**> Organisation with general master key (GMK locking systems):**

GMK systems have both individual keys (IK) and group keys (GK) that are assigned to different IK's. Several GK can be assigned to one master group key (MGK)

The general master key (GMK) then overrides every key in the system

GMK locking systems are used for organisation in large office buildings with several departments and sub-departments



**> Closure travel/direction:**





The closure travel is specified by numbers and the closure direction is specified by letters with cam locks. They refer to the installation situations shown in the tables. Locks with closure travel 180° can be altered to all closure travels. Factory set is closure travel 1

Locks with 90° closure travel are either left or right locking locks. The closure direction is here specified by letters. The first letter indicates the factory setting, the closure direction can be altered to the letters specified in brackets by re-positioning the cam (example: Closure direction A (D, F, G))

# HÄFELE SYMO CYLINDER CORES

Häfele Symo 3000 cylinder cores can be installed, repositioned or replaced quickly without tools, simply by using the removal key

- > With Symo from Häfele you are using a mechanical furniture locking system with many advantages
- > Plate or pin tumbler cylinder? It depends on the purpose. Symo cylinders are either plate or pin tumbler cylinders. The version that is used depends on the frequency of use and the size of the locking system

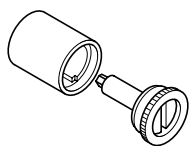
Symo cylinder	Description	Area of application	Frequency of use	Locking systems complexity	Security requirements
 <p><b>Universal</b></p> <p><b>With plate cylinder</b></p> <ul style="list-style-type: none"> <li>&gt; for MK systems</li> <li>&gt; up to 2600 key changes</li> </ul> <p><b>Protected from direct access</b></p>	<ul style="list-style-type: none"> <li>&gt; Office furniture series production</li> </ul>	Low	Basic	Low	
 <p><b>Universal Objekt</b></p> <p><b>With plate cylinder</b></p> <ul style="list-style-type: none"> <li>&gt; for MK systems</li> <li>&gt; up to 200 key changes</li> </ul> <p><b>Protected from direct access</b></p>	<ul style="list-style-type: none"> <li>&gt; Office furniture series production</li> </ul>	Low to medium	Basic	Low	
 <p><b>Premium 5</b></p> <p><b>With pin tumbler cylinder</b></p> <ul style="list-style-type: none"> <li>&gt; for MK systems</li> <li>&gt; up to 500 key changes</li> </ul>	<ul style="list-style-type: none"> <li>&gt; Office furniture</li> <li>&gt; Small mail distribution systems</li> </ul>	Medium	Medium	Medium	
 <p><b>Premium 20</b></p> <p><b>With pin tumbler cylinder</b></p> <ul style="list-style-type: none"> <li>&gt; for MK and GMK systems</li> <li>&gt; up to 400 key changes, depending on the complexity of the system. We provide you with competent advice</li> </ul>	<ul style="list-style-type: none"> <li>&gt; Office furniture</li> <li>&gt; Mail distribution systems</li> <li>&gt; Display cabinets</li> </ul>	Medium to high	Medium	Medium	



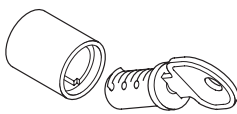
**Care instructions:** The cylinders must be maintained once or twice a year with a graphite-free and resin-free spray, depending on the frequency of use

## Häfele Symo Universal cylinder cores with plate levers

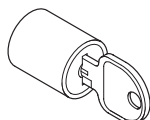
### Inserting the cylinder core



Remove protective cap from cylinder housing

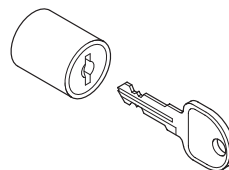


Push the cylinder core with the inserted key into the cylinder housing

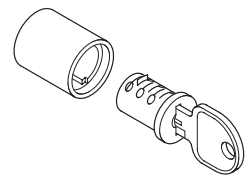


Exert light pressure until cylinder core snaps into place

### Removing the cylinder core



The cylinder core can only be removed from the cylinder housing by using the removal key (removal key can only be used in unlocked position)

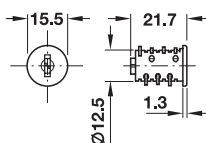


Insert the removal key into the cylinder housing and withdraw under slight pressure

# SYMO UNIVERSAL CYLINDER CORES

Symo Universal cylinder cores with plate levers can be installed, repositioned or replaced quickly without tools, simply by using the removal key

## Häfele Symo Universal cylinder core, with key



- > For use where low security requirements have to be met
- > Suitable for standard-duty use
- > Area of application: For all locks and rotary handles of the Symo system
- > Locking system: 6 plate levers
- > Key change: 2600 different key changes possible
- > Installation: Left or right, for plug fitting
- > Nickel-plated zinc alloy housing, brass plate levers
- > Supplied with:
  - 1x plate cylinder core
  - 2x keys
- > Order qty: See tables below

Key change	Cat. No.	Order qty
<b>Keyed to differ, sorted (master key possible*)</b>		
0601-0650	210.41.701	50 pcs
0651-0700	210.41.702	50 pcs
0701-0705	210.41.703	50 pcs
0751-0800	210.41.704	50 pcs
0801-0850	210.41.705	50 pcs
0851-0900	210.41.706	50 pcs
0901-0950	210.41.707	50 pcs
0951-1000	210.41.708	50 pcs
1001-1050	210.41.709	50 pcs
1051-1100	210.41.710	50 pcs
1101-1150	210.41.711	50 pcs
1151-1200	210.41.712	50 pcs
1201-1250	210.41.713	50 pcs
1251-1300	210.41.714	50 pcs
1301-1350	210.41.715	50 pcs
1351-1400	210.41.716	50 pcs
1401-1450	210.41.717	50 pcs
1451-1500	210.41.718	50 pcs
1501-1550	210.41.719	50 pcs
1551-1600	210.41.720	50 pcs
1601-1650	210.41.721	50 pcs
1651-1700	210.41.722	50 pcs
1701-1750	210.41.723	50 pcs
1751-1800	210.41.724	50 pcs
1801-1850	210.41.725	50 pcs
1851-1900	210.41.726	50 pcs
1901-1950	210.41.727	50 pcs
1951-2000	210.41.728	50 pcs
2001-2050	210.41.729	50 pcs
2051-2100	210.41.730	50 pcs
2101-2150	210.41.731	50 pcs
2151-2200	210.41.732	50 pcs
2201-2250	210.41.733	50 pcs
2251-2300	210.41.734	50 pcs
2301-2350	210.41.735	50 pcs
2351-2400	210.41.736	50 pcs
2401-2450	210.41.737	50 pcs
2451-2500	210.41.738	50 pcs
2501-2550	210.41.739	50 pcs
2551-2600	210.41.740	50 pcs

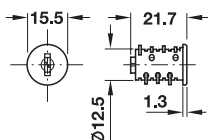
Key type	Cat. No.	Order qty
<b>Keyed to differ, unsorted (no master key possible)</b>		
	210.40.600	1 pc
<b>Keyed alike (master key possible*)</b>		
0001	210.40.601	1 pc
0002	210.40.602	1 pc
0003	210.40.603	1 pc
0004	210.40.604	1 pc
0005	210.40.605	1 pc
0006	210.40.606	1 pc
0007	210.40.607	1 pc
0008	210.40.608	1 pc
0009	210.40.609	1 pc
0010	210.40.610	1 pc
0011	210.40.611	1 pc
0012	210.40.612	1 pc
0013	210.40.613	1 pc
0014	210.40.614	1 pc
0015	210.40.615	1 pc
0016	210.40.616	1 pc
0017	210.40.617	1 pc
0018	210.40.618	1 pc
0019	210.40.619	1 pc
0020	210.40.620	1 pc
0023	210.40.623	1 pc
0024	210.40.624	1 pc
0035	210.40.635	1 pc
0037	210.40.637	1 pc

**!** > \*Master key MK3 210.11.003, can be used with the keyed to differ keys  
 > Consists of 50 cylinder cores out of the specified range of key changes, one piece of each key change

**!** \*Master key MK1 210.11.001, can be used with the keyed alike keys



## Häfele Symo Universal cylinder core, with folding key



- > For use where low security requirements have to be met
- > Suitable for standard-duty use
- > Area of application: For all locks and rotary handles of the Symo system
- > Locking system: 6 plate levers
- > Key change: 2600 different key changes possible
- > Installation: Left or right, for plug fitting
- > Nickel-plated zinc alloy housing, brass plate levers
- > Supplied with:
  - 1x plate cylinder removable core
  - 2x folding keys
- > Order qty: See tables below

Key change	Cat. No.	Order qty
<b>Keyed to differ, sorted (master key possible*)</b>		
0601-0650	210.41.751	50 pcs
0651-0700	210.41.752	50 pcs
0701-0705	210.41.753	50 pcs
0751-0800	210.41.754	50 pcs
0801-0850	210.41.755	50 pcs
0851-0900	210.41.756	50 pcs
0901-0950	210.41.757	50 pcs
0951-1000	210.41.758	50 pcs
1001-1050	210.41.759	50 pcs
1051-1100	210.41.760	50 pcs
1101-1150	210.41.761	50 pcs
1151-1200	210.41.762	50 pcs
1201-1250	210.41.763	50 pcs
1251-1300	210.41.764	50 pcs
1301-1350	210.41.765	50 pcs
1351-1400	210.41.766	50 pcs
1401-1450	210.41.767	50 pcs
1451-1500	210.41.768	50 pcs
1501-1550	210.41.769	50 pcs
1551-1600	210.41.770	50 pcs
1601-1650	210.41.771	50 pcs
1651-1700	210.41.772	50 pcs
1701-1750	210.41.773	50 pcs
1751-1800	210.41.774	50 pcs
1801-1850	210.41.775	50 pcs
1851-1900	210.41.776	50 pcs
1901-1950	210.41.777	50 pcs
1951-2000	210.41.778	50 pcs
2001-2050	210.41.779	50 pcs
2051-2100	210.41.780	50 pcs
2101-2150	210.41.781	50 pcs
2151-2200	210.41.782	50 pcs
2201-2250	210.41.783	50 pcs
2251-2300	210.41.784	50 pcs
2301-2350	210.41.785	50 pcs
2351-2400	210.41.786	50 pcs
2401-2450	210.41.787	50 pcs
2451-2500	210.41.788	50 pcs
2501-2550	210.41.789	50 pcs
2551-2600	210.41.790	50 pcs

Key type	Cat. No.	Order qty
<b>Keyed alike (master key possible*)</b>		
0001	210.46.601	1 pc

**!** > \*Master key MK3 210.11.003, can be used with the keyed to differ keys  
 > Consists of 50 cylinder cores out of the specified range of key changes, one piece of each key change

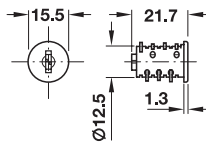
**!** \*Master key MK1 210.11.001, can be used with the keyed alike keys

TCH TECHNOLOGY 2022. © Häfele U.K. Ltd 2022. Dimensional data not binding. We reserve the right to alter specifications without notice.



For master key systems: If the master key cylinder cores are opened or locked with the master key/general master keys, they must also be re-locked or re-opened with the same key in order to restore the single key function which will otherwise be lost

### Häfele Symo Universal Master key cylinder core



- > Order keys separately
- > \*When ordering please specify the SH-No.

- > For use where low security requirements have to be met
- > Suitable for standard-duty use
- > Area of application: For all locks and rotary handles of the Symo system
- > Locking system: 6 plate levers
- > Key change: 2600 different key changes possible
- > Installation: Left or right, for plug fitting
- > Nickel-plated zinc alloy housing, brass plate levers
- > Order qty: 1 pc

### Key for master key cylinder core



\*When ordering please specify the SH No. required from 0001 - 2600

- > For Symo Universal locking system MK1, MK2 and MK3
- > Nickel plated steel
- > Order qty: 1 pc



Item	Cat. No.
Key, without cap	210.11.058
Folding key, with black plastic cap	210.11.060

### Master key



- > For Symo Universal locking system MK1, MK2 and MK3
- > Nickel plated steel
- > Order qty: 1 pc

Master keys	Cat. No.
MK1	210.11.001
MK2	210.11.002
MK3	210.11.003

### Removal key



- > For master key locking systems MK1, MK2 and MK3 and keyed alike and keyed to differ Symo Universal cylinder cores
- > Nickel plated steel
- > Order qty: 1 pc

	Cat. No.
Removal key	210.11.090

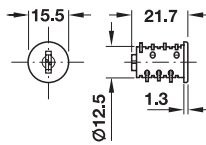


A guide to master key and general master key systems is shown on page **12.138**



Cylinder core	Cat. No.
<b>Master key MK1</b> SH No. 0001-0200*	210.41.601
<b>Master key MK2</b> SH No. 0201-0600*	210.41.602
<b>Master key MK3</b> SH No. 0601-2600*	210.41.603

### Häfele Symo Universal cylinder core and folding key



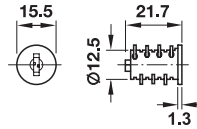
- > Master key MK3 SH No. 30601 - 32600 - keyed to differ
- > Set consists of:
  - 1x cylinder core 210.41.603, nickel-plated zinc alloy housing with brass-plated levers
  - 2x Folding keys 210.11.060 black/nickel-plated
- > Order qty: Multiples of 10 sets

	Cat. No.
Cylinder core and folding key	210.41.693

# SYMO UNIVERSAL OBJEKT CYLINDER CORES

Symo Universal Objekt cylinder cores with plate levers can be installed, repositioned or replaced quickly without tools, simply by using the removal key

## Häfele Symo Universal Objekt cylinder core, with key



- > For use where medium security requirements have to be met
- > Suitable for medium-duty use
- > Area of application: For all locks and rotary handles of the Symo system
- > Locking system: 6 plate levers
- > Key change: 200 different key changes possible
- > Installation: Left or right, for plug fitting
- > Nickel-plated zinc alloy housing, brass plate levers
- > Supplied with:
  - 1x cylinder core
  - 2x keys
- > Order qty: 1 pc

Key change	Cat. No.
<b>Keyed to differ, unsorted</b> (no master key possible)	
	210.51.600
<b>Keyed alike</b>	
61-001	210.51.601
61-002	210.51.602
61-003	210.51.603
61-004	210.51.604
61-005	210.51.605
61-006	210.51.606
61-007	210.51.607
61-008	210.51.608
61-008	210.51.609
61-010	210.51.610

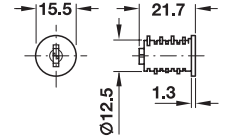
## Removal key



- > For master key locking systems MK4 and keyed alike and keyed to differ Symo Universal Objekt cylinder cores
- > Nickel plated steel
- > Order qty: 1 pc

	Cat. No.
Removal key	210.51.002

## Häfele Symo Universal Objekt Master key cylinder core



- ! > Order keys separately
- ! > \*Please specify the required key change

- > For use where medium security requirements have to be met
- > Suitable for medium-duty use
- > Area of application: For all locks and rotary handles of the Symo system
- > Locking system: 6 plate levers
- > Key change: 200 different key changes possible
- > Installation: Left or right, for plug fitting
- > Nickel-plated zinc alloy housing, brass plate levers
- > Order qty: 1 pc



Key change	Cat. No.
<b>Master key MK4</b> (71-001 - 71-200)*	210.51.701

## Key for master key cylinder core



- ! \*When ordering please specify the key change required (SY 001 - 200)

- > For master key locking system MK4 and keyed alike and keyed to differ Symo Universal Objekt cylinder cores
- > Nickel plated steel
- > Order qty: 1 pc



Key change	Cat. No.
MK4 (SY 001 - 200)*	210.51.000

## Master key



- > For Symo Universal Objekt locking system MK4
- > Nickel plated steel
- > Order qty: 1 pc

Key change	Cat. No.
MK4	210.51.001

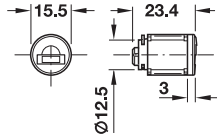


A guide to master key and general master key systems is shown on page **12.138**

# SYMO PREMIUM 5 CYLINDER CORES

Symo Premium 5 cylinder cores with pin tumblers can be installed, repositioned or replaced quickly without tools, simply by using the removal key

## Häfele Symo Premium 5 cylinder core, with key



- > Suitable for standard-duty use
- > Area of application: For all locks and rotary handles of the Symo system
- > Locking system: 8 housing pins
- > Key change: 500 different key changes possible
- > Installation: Left or right, for plug fitting
- > Nickel-plated zinc alloy housing
- > Supplied with:
  - 1x pin tumbler cylinder removable core
  - 2x keys
- > Order qty: 1 pc

Key change	Cat. No.
<b>Keyed to differ, standard profile</b>	210.50.600
<b>Keyed alike, standard profile</b>	
L001	210.50.601
L002	210.50.602
L003	210.50.603
L004	210.50.604
L005	210.50.605

## Duplicate key



- > For individual locking
- > New silver steel
- > Order qty: 1 pc

	Cat. No.
Duplicate key	210.50.020

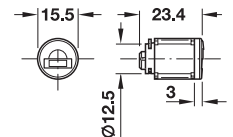
## Removal key



- > For removing Symo Premium 5 pin tumbler cylinder removable cores
- > Nickel plated steel
- > Order qty: 1 pc

	Cat. No.
Removal key	210.50.090

## Häfele Symo Premium 5 Master key cylinder core



- > Order keys separately
- > \*Please specify the required key change

- > For use where medium security requirements have to be met
- > Suitable for medium-duty use
- > Area of application: For all locks and rotary handles of the Symo system
- > Locking system: 6 plate levers
- > Key change: 200 different key changes possible
- > Installation: Left or right, for plug fitting
- > Nickel-plated zinc alloy housing, brass plate levers
- > Order qty: 1 pc

Key change	Cat. No.
<b>MK standard 3</b> (HAF02 P0001-P0002)*	210.50.696

## Key for master key cylinder core



- > \*When ordering please specify the key change required (HAF02 P0001 - P0200)

- > For Symo Premium 5 master key locking system MK standard 3
- > New silver steel
- > Order qty: 1 pc

Key change	Cat. No.
MK standard 3 (HAF02 P0001 - P0200)*	210.50.030

## Master key



- > For Symo Premium 5 locking system MK standard 3
- > New silver steel
- > Order qty: 1 pc

Key change	Cat. No.
MK standard 3 (HAF 02)	210.50.031

- > A guide to master key and general master key systems is shown on page **12.138**

## SYMO PREMIUM 20 CYLINDER CORES

Symo Premium 20 cylinder cores with pin tumblers can be installed, repositioned or replaced quickly without tools, simply by using the removal key

### Häfele Symo Premium 20 cylinder core, with key



- > Suitable for heavy-duty use
- > For use where high security requirements have to be met
- > Area of application: For all locks and rotary handles of the Symo system
- > Locking system: With 6 pairs of pin tumblers
- > Key change: 9999 different key changes possible
- > Installation: Left or right, for plug fitting
- > Nickel-plated zinc alloy housing
- > Supplied with:
  - 1x pin tumbler cylinder removable core
  - 1x key
- > Order qty: 1 pc

Key change	Cat. No.
<b>Keyed to differ, standard profile</b> (no master key possible)	
	210.45.600
<b>Keyed alike, standard profile</b>	
0001A	210.45.601
0002A	210.45.602
0003A	210.45.603
0004A	210.45.604
0005A	210.45.605
0006A	210.45.606
0007A	210.45.607
0008A	210.45.608
0009A	210.45.609
0010A	210.45.610

### Removal key



- > For removing Symo Premium 20 pin tumbler cylinder removable cores (individual locking) and Premoium 20 MK system standard 2 pin tumbler cylinder removable cores
- > New silver steel
- > Order qty: 1 pc

	Cat. No.
Removal key (MS1 individual locking)	210.45.090

### Häfele Symo Premium 20 cylinder core



- ! > Order keys separately
- ! > \*Please specify the required key change

- > Suitable for heavy-duty use
- > For use where high security requirements have to be met
- > Area of application: For all locks and rotary handles of the Symo system
- > Locking system: With 6 pairs of pin tumblers
- > Key change: 9999 different key changes possible
- > Installation: Left or right, for plug fitting
- > Nickel-plated zinc alloy housing
- > Order qty: 1 pc

Key change	Cat. No.
<b>Keyed to differ, standard profile</b>	
0301A - 9999A*	210.45.990

### Replacement and additional key



- ! When ordering please specify the key change required (0001A - 0300A)

- > For Symo Premium 20 locking system
- > New silver steel
- > Order qty: 1 pc

	Cat. No.
Replacmenet and additional key	210.45.000

### Duplicate key standard profile, customised



- ! When ordering please specify the key change required (0001A - 0300A)

- > For individual locking
- > New silver steel
- > Order qty: 1 pc

	Cat. No.
Duplicate key	210.45.002

- ➔ A guide to master key and general master key systems is shown on page **12.138**



For master and general master key systems:

If the master key/general master key cylinder cores are opened or locked with the master key/general master keys, they must also be re-locked or re-opened with the same key in order to restore the single key function which will otherwise be lost

### Häfele Symo Premium 20 master key system - MK standard 2



- > Order keys and master keys separately
- > \*Please specify the required key change

- > For master key systems the order must be based on the locking map
- > Key changes MS A 001-300 available ex warehouse
- > Locking system: With 6 pairs of pin tumblers
- > Key change: 500 different key changes possible
- > Installation: Left or right, for plug fitting
- > Nickel-plated zinc alloy cylinder core housing, new silver steel key
- > Order qty: 1 pc



Item	Cat. No.
Cylinder core (MS A 001-300)*	210.45.697 *
Key	210.45.010 *
Master key (MS1 MK)	210.45.011 *
Removal key (MS1 individual locking)	210.45.090

### Häfele Symo Premium 20 master key system - MK standard 2, special locking



- > Order keys separately
- > \*Please specify the required key change

- > For master key systems the order must be based on the locking map
- > Key changes MS A 001-300 available ex warehouse
- > Nickel-plated zinc alloy cylinder core housing, new silver steel key
- > Order qty: 1 pc

Item	Cat. No.
Cylinder core	210.45.997
Master key, special locking	210.45.012

### Häfele Symo Premium 20 master key system - Customised MK locking system



Order keys and master keys separately

- > For master key systems the order must be based on the locking map
- > Key change MK
- > Locking system: With 6 pairs of pin tumblers
- > Key change: 400 different key changes possible
- > Installation: Left or right, for plug fitting
- > Nickel-plated zinc alloy cylinder core housing, new silver steel key
- > Order qty: 1 pc

Item	Cat. No.
Cylinder core (MK)	210.45.698
Key (when ordering a cylinder)	210.45.020
Duplicate key	210.45.030
Master key (when ordering a cylinder)	210.45.021
Duplicate master key	210.45.031
Removal key	210.45.093

### Häfele Symo Premium 20 general master key system - Customised GMK locking system



Order keys and master keys separately

- > For master key systems the order must be based on the locking map. A technical feasibility test must be carried out in advance
- > Key change MK
- > Locking system: With 6 pairs of pin tumblers
- > Key change: 400 different key changes possible
- > Installation: Left or right, for plug fitting
- > Nickel-plated zinc alloy cylinder core housing, new silver steel key
- > Order qty: 1 pc

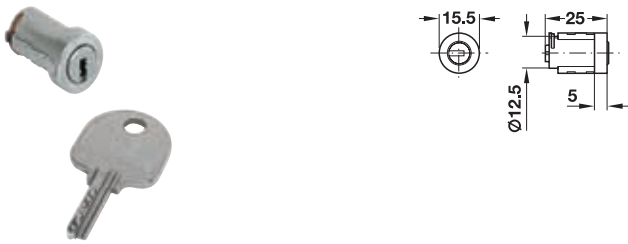
Item	Cat. No.
Cylinder core (GMK)	210.45.699
Key (when ordering a cylinder)	210.45.020
Duplicate key	210.45.040
Master key (when ordering a cylinder)	210.45.021
Duplicate master key	210.45.041
General master key (when ordering a cylinder)	210.45.022
Duplicate general master key	210.45.042
Removal key	210.45.095



A guide to master key and general master key systems is shown on page **12.138**



## Häfele Symo Premium 20 cylinder core, individual locking with key, restricted direction DIN left/right 180°



- > Area of application: For central locking cylinders and push and turn locks of the Symo system
- > Locking system: With 6 pairs of pin tumblers
- > Key change: 9999 different key changes possible
- > Installation: Left or right (restricted to 180°), for plug fitting
- > Nickel-plated zinc alloy housing
- > Supplied with:
  - 1x pin tumbler cylinder removable core
  - 1x key
- > Order qty: 1 pc

Key change	Right mounting	Left mounting
<b>Keyed to differ</b>	210.47.600	210.48.600
<b>Keyed alike</b>		
0001 A	210.47.601	210.48.601

## Häfele Symo Premium 20 master key system - MK standard 2, restricted direction DIN left/right 180°



- ! > Order keys and master keys separately
- ! > \*Please specify the required key change

- > For master key systems the order must be based on the locking map
- > Key changes MS A 001-300 available ex warehouse
- > Locking system: With 6 pairs of pin tumblers
- > Key change: 400 different key changes possible
- > Installation: Left or right (restricted to 180°), for plug fitting
- > Nickel-plated zinc alloy housing
- > Order qty: 1 pc

Key change	Right mounting	Left mounting
Cylinder core (MS A 001-300)*	210.47.697	210.48.697
Key	210.45.010	
Master key (MS1 MK)	210.45.011	
Removal key (MS1 individual locking)	210.45.090	

➔ A guide to master key and general master key systems is shown on page **12.138**

## Häfele Symo Premium 20 master key system - Customised MK, restricted direction DIN left/right 180°



- ! Order keys and master keys separately

- > For master key systems the order must be based on the locking map
- > Key change MK
- > Locking system: With 6 pairs of pin tumblers
- > Key change: 400 different key changes possible
- > Installation: Left or right (restricted to 180°), for plug fitting
- > Nickel-plated zinc alloy housing
- > Order qty: 1 pc

Key change	Right mounting	Left mounting
Cylinder core (MK)	210.47.698	210.48.698
Key (when ordering a cylinder)	210.45.020	
Duplicate key	210.45.030	
Master key (when ordering a cylinder)	210.45.021	
Duplicate master key	210.45.031	
Removal key	210.45.093	

## Häfele Symo Premium 20 master key system - Customised GMK, restricted direction DIN left/right 180°



- ! Order keys and master keys separately




- > For master key systems the order must be based on the locking map. A technical feasibility test must be carried out in advance
- > Key change GMK
- > Locking system: With 6 pairs of pin tumblers
- > Key change: 400 different key changes possible
- > Installation: Left or right (restricted to 180°), for plug fitting
- > Nickel-plated zinc alloy housing
- > Order qty: 1 pc

Key change	Right mounting	Left mounting
Cylinder core (GMK)	210.47.699	210.48.699
Key (when ordering a cylinder)	210.45.020	
Duplicate key	210.45.040	
Master key (when ordering a cylinder)	210.45.021	
Duplicate master key	210.45.041	
General master key (when ordering a cylinder)	210.45.022	
Duplicate general master key	210.45.042	
Removal key	210.45.095	

# HÄFELE HEAVYLOCK LOCKING SYSTEM

The Heavylock espagnolette lock system is recommended for heavy-duty locks (projects, industry) and increased security requirements

- > A pin tumbler cylinder Ø 22 mm with 5 pairs of pin tumblers can be used as well as CES cylinders Ø 28 mm with increased drilling and pull protection.
- > The security pass provided with the CES cylinders guarantees protection against unauthorized duplication of keys
- > All CES cylinders are available with additional security features for an extra charge

Overview of the Heavylock espagnolette lock system			
	<p><b>Espagnolette lock</b> with cylinder aperture Ø 22 mm + 28 mm</p>		<p><b>and locking cyliner</b> Ø 22 mm</p>
	<p><b>Rim lock</b> with cylinder aperture Ø 22 mm + 28 mm</p>		

12

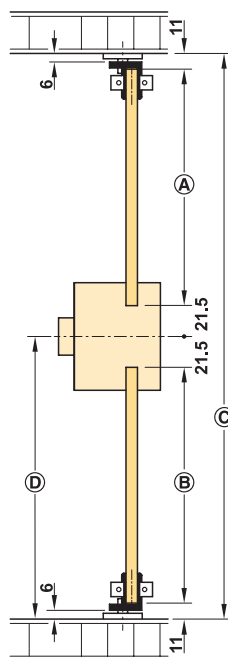
Office Furniture Fittings: Locking Systems

## Construction dimensions

Please consider the following dimensions when designing the cabinet and when choosing the accessories for the espagnolette lock:

Upper rod dimension: Centre of lock case – 32.5 mm  
(A = D – 32.5 mm)

Lower rod dimension: Centre of lock case – 32.5 mm  
(B = D – 32.5 mm)

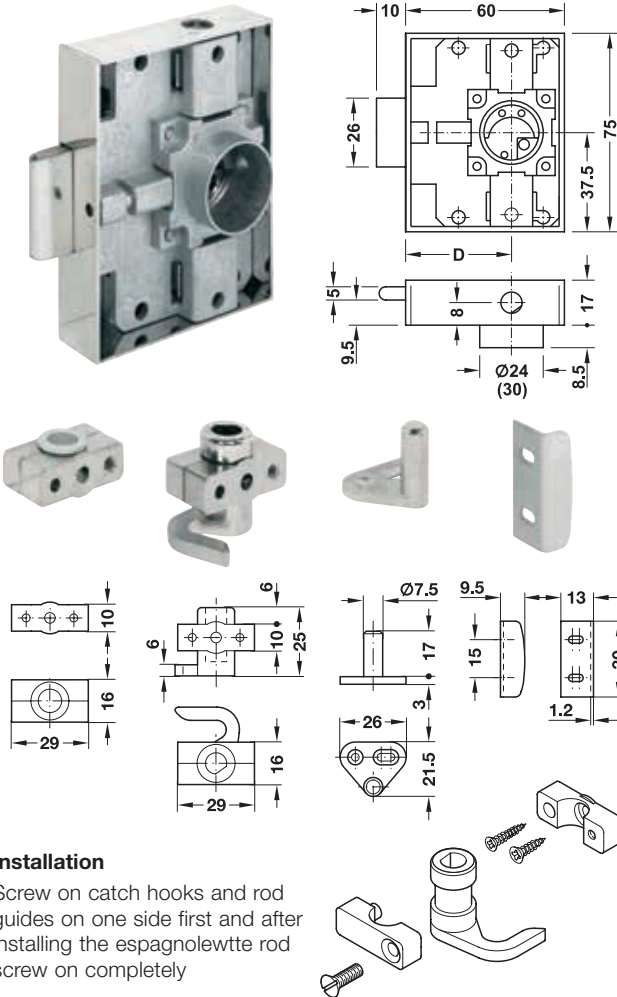


TOH TECHNOLOGY 2022, © Häfele U.K. Ltd 2022. Dimensional data not binding. We reserve the right to alter specifications without notice.

# HÄFELE HEAVYLOCK LOCKING SYSTEM

The Heavylock espagnolette lock system is recommended for heavy-duty locks (projects, industry) and increased security requirements

## Heavylock espagnolette lock, backset 40 mm



- > Area of application: For divided profile rod  $\varnothing$  8 mm, for accommodating locking cylinders  $\varnothing$  22 mm or  $\varnothing$  28 mm
- > Backset D: 40 mm
- > Version: With fixed rosette for  $\varnothing$  24 mm or  $\varnothing$  30 mm drill hole
- > Installation: For screw fixing
- > Ground and nickel plated steel lock case with bright zinc alloy cylinder insert
- > Supplied with:
  - 1x espagnolette lock
  - 2x rod guides
  - 1x angled strike plate
  - 1x pair of catch hooks
  - 2x locking bolts
- > Order qty: 1 pc

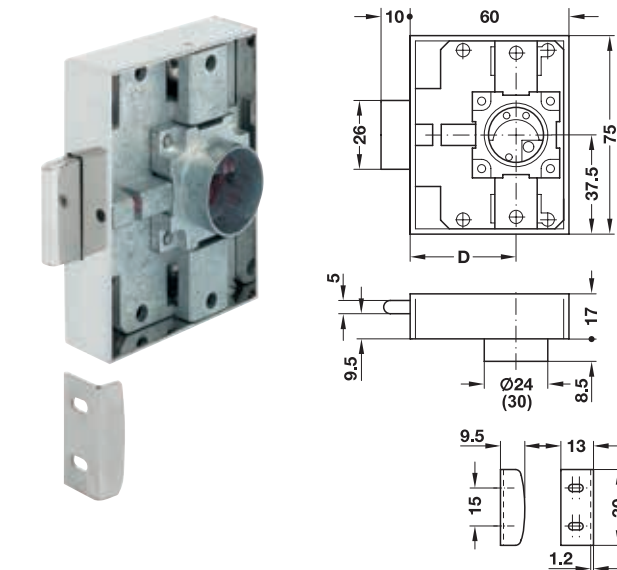
### Installation

Screw on catch hooks and rod guides on one side first and after installing the espagnolette rod screw on completely



Mounting	Cat. No.
<b>With cylinder insert <math>\varnothing</math> 22 mm</b>	
Left	225.78.123
Right	225.78.025
<b>With cylinder insert <math>\varnothing</math> 28 mm</b>	
Left	225.78.187
Right	225.78.089

## Heavylock deadbolt rim lock, backset 40 mm



- > Area of application: For accommodating round cylinder and rotary handle  $\varnothing$  22 mm or  $\varnothing$  28 mm
- > Backset D: 40 mm
- > Version: With fixed rosette for drill hole  $\varnothing$  24 mm or  $\varnothing$  30 mm
- > Installation: For screw fixing
- > Ground and nickel plated steel lock case with bright zinc alloy cylinder insert
- > Supplied with:
  - 1x deadbolt rim lock
  - 1x angled strike plate
- > Order qty: 1 pc

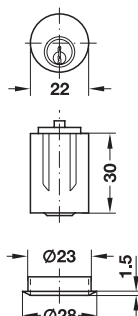


Mounting	Cat. No.
<b>With cylinder insert <math>\varnothing</math> 22 mm</b>	
Left	225.78.623
Right	225.78.525
<b>With cylinder insert <math>\varnothing</math> 28 mm</b>	
Left	225.78.687
Right	225.78.589

# HÄFELE HEAVYLOCK CYLINDER CORES

Heavylock round cylinder cores with pin tumblers can be installed, repositioned or replaced quickly without tools, simply by using the removal key

## Häfele Heavylock round cylinder, round cylinder receptacle 22 mm - Standard profile



- > Area of application: For Heavylock espagnolette and rim lock with cylinder receptacle Ø 22 mm
- > For door thickness: 20 mm
- > Cylinder Ø: 22 mm
- > Locking system: With 5 pairs of pin tumblers
- > Key change: 20,000 different key changes possible
- > Installation: For screw fixing (with SW 2 clamping screw)
- > Matt nickel plated brass
- > Supplied with:
  - 1x round cylinder
  - 2x keys
  - 1x cylinder rosette
- > Order qty: 1 pc

Key change	Cat. No.
Keyed to differ, standard profile	225.79.800
H1 - keyed alike	225.79.801
Customised, standard profile	225.79.810

## Häfele Heavylock round cylinder, round cylinder receptacle 22 mm - Customised MK/GMK lock system

- > For master key systems the order must be based on the locking map
- > Supplied with:
  - 1x round cylinder
  - 2x keys
  - 1x cylinder rosette
  - 1x Häfele security pass
- > Order qty: 1 pc

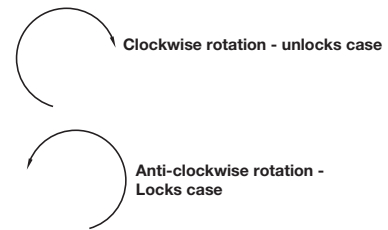
Locking function	Cat. No.
MK locking system	225.79.898
GMK locking system	225.79.899

12

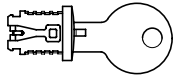
Office Furniture Fittings: Locking Systems

# CYLINDER CORES

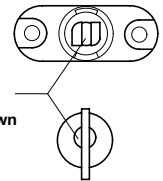
- > Modular system allows the lock case to be premounted to the furniture before installation and the cylinders are added later
- > The same cylinder core will fit all the various designs of lock case
- > Cylinder cores can be installed, repositioned or replaced quickly. Removal key is needed to remove the cylinder core
- > For correct locking direction cores turn clockwise to unlock and anti-clockwise to lock
- > Castings and cores are marked as diagram
- > When all markings are positioned identically, the doors/drawers will all operate with the same locking direction



These cylinders snap into all cylinder housings without using a change tool

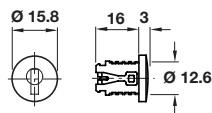


To install: Line up lock so that key lines up with notch in cylinder housing as shown



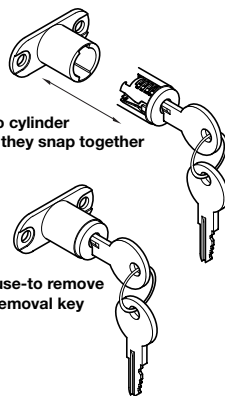
**!** Modular system cylinder cores are only compatible with lock cases on pages 12.152-155

## Modular system cylinder core



Insert cylinder core into cylinder housing and push until they snap together

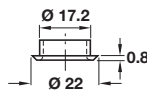
Lock is now ready to use-to remove the cylinder core the removal key must be used



- > Suitable for all lock cases in the Module system
- > 5 plate levers = 200 possible key changes
- > Zinc alloy with brass lever plates
- > Accessories: 2 keys
- > Order qty: 1 pc

Finish	Nickel plated	Brass-plated
<b>Keyed to differ</b>	210.04.606	-
<b>Keyed alike</b>		
Key change 100T	210.04.615	210.04.811
Key change 101T	210.04.624	-
Key change 102T	210.04.633	-
Key change 103T	210.04.642	-
Key change 104T	210.04.651	-
Key change 105T	210.04.660	-
Key change 106T	210.04.679	-
Key change 107T	210.04.688	-
Key change 108T	210.04.697	-
Key change 109T	210.04.704	-
<b>Master key</b> for cylinder cores	210.02.059	-

## Cylinder rosette



- > Must be ordered separately
- > Brass
- > Order qty: Multiples of 10 pcs

Finish	Cat. No.
Nickel plated	219.19.970

## Removal key

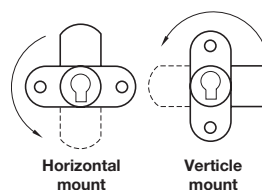


- > For removing cylinder cores
- > Brass
- > Order qty: 1 pc

	Cat. No.
Removal key	210.02.004

# CAM LOCK CASES

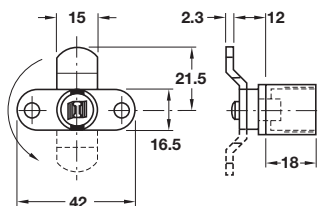
- > Lever-type cam lock cases
- > For on-site installation of cylinder core, shown on page **12.151**
- > Without key trap: Key can be removed in locked or unlocked position
- > Closure travel 180°, anti-clockwise as drawing
- > Available for horizontal or vertical mounting
- > Bright zinc alloy cases with nickel-plated steel levers
- > Check for orientation marker before installation



## Cam lock case, with inward cranked lever



- > With nut attachment
- > With inward cranked lever
- > Order qty: 1 pc

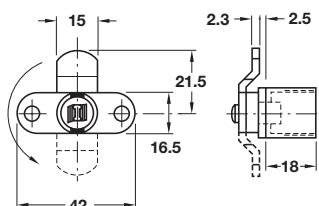


Mounting	Cat. No.
Horizontal mount	235.08.009
Vertical mount	235.08.054

## Cam lock case, with outward cranked lever



- > With nut attachment
- > With outward cranked lever
- > Order qty: 1 pc



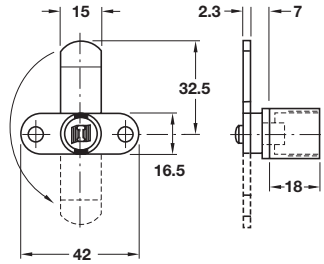
Mounting	Cat. No.
Vertical mount	235.08.152



## Cam lock case, with straight extended cranked lever



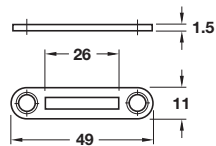
- > With nut attachment
- > With straight, extended lever
- > Order qty: 1 pc



Mounting	Cat. No.
Horizontal mount	235.08.303
Vertical mount	235.08.358

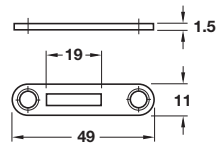
## Striking plate

For cam lock cases with cranked lever



- > Black steel
- > Order qty: 1 pc

For cam lock cases with straight lever

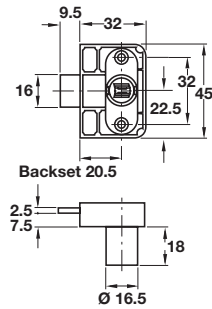


For cam lock case	Cat. No.
With cranked lever	239.08.705
With straight lever	239.08.723

# CYLINDER MODULE SYSTEM

Rim lock cases and central locking system.

## Rim lock case

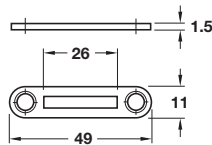


- > For on-site installation of cylinder core shown on page **12.147**
- > Closure travel 180°, can be clockwise or anti-clockwise
- > Backset 20.5 mm
- > Black plastic lock case
- > Bright zinc alloy cylinder housing
- > Nickel-plated steel bolt
- > \*Install cylinder core turned through 180°
- > Order qty: 1 pc



Version	Cat. No.
Left/Right*	232.12.302
Drawer	232.12.311

## Striking plate

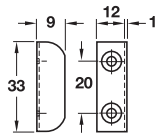


- > Steel
- > Order qty: 1 pc

Finish	Cat. No.
Black	239.08.705

12

## Striking plate

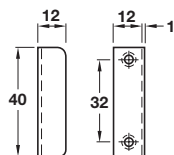


- > Screw fixing
- > Steel
- > Order qty: Multiples of 10 pcs



Finish	Cat. No.
Nickel-plated	239.40.703
Brass-plated	239.40.507

## Striking plate

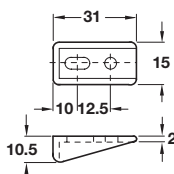


- > Screw fixing
- > Steel
- > Order qty: Multiples of 10 pcs



Finish	Cat. No.
Nickel-plated	239.41.013

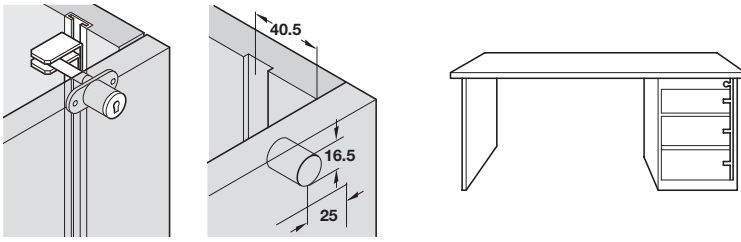
## Stop wedge



- > Black plastic
- > Order qty: Multiples of 10 pcs

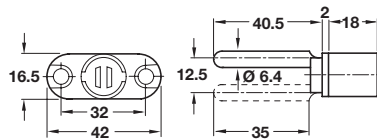


	Cat. No.
Stop wedge	234.91.090



- > Central locking rotary cylinder lock case and adaptor
- > For use with central locking accessories shown below and on page **12.156**

## Rotary cylinder lock case

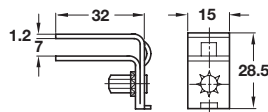
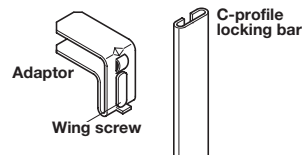


- > With lifting pin, 12.5 mm lift
- > For on-site installation of cylinder core A
- > Closure travel 180°
- > Bright zinc alloy
- > Order qty: 1 pc



Cat. No.	
Lock case	234.85.001

## Adaptor



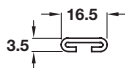
- > For use with rotary cylinder lock case shown above
- > Galvanized steel
- > Order qty: 1 pc

Cat. No.	
Adaptor	234.87.998

C-profile locking bar



- > Galvanized steel
- > Order qty: 1 pc



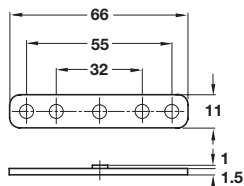
For use with all central locking systems shown on page 12.155

Length	Cat. No.
800 mm	234.87.934
1500 mm	234.87.952

Bar retaining bracket



- > With guide lug
- > Galvanized steel
- > Order qty: Multiples of 10 pcs



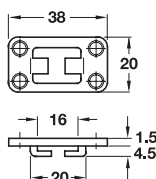
For use with C-profile bar shown above

	Cat. No.
Bracket	234.87.989

Open bar guide



- > Suitable for surface or recess mounting
- > Galvanized steel
- > Order qty: Multiples of 10 pcs

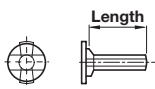


	Cat. No.
Open bar guides	237.23.006

Hexagonal section arresting pin

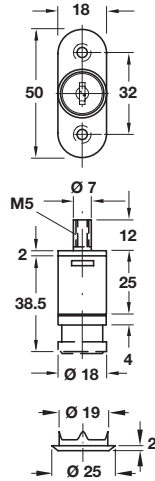


- > For installation in C-profile bar
- > Nickel-plated steel
- > Order qty: Multiples of 10 pcs



Length	Cat. No.
9.5 mm	237.22.714
25 mm	237.22.769

## Central locking push-button cylinder



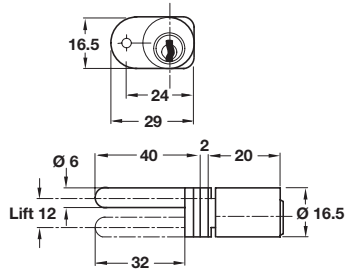
- > Ø 18 mm cylinder
- > For installation in lock panel
- > Lock: by pushing in the cylinder
- > Unlock: by turning the key
- > 6 plate levers = 3,000 possible key changes
- > Matt nickel-plated zinc alloy case and cylinder
- > Accessories:
  - 2x keys with black plastic key caps
  - 1x cylinder rosette
- > No master key possible
- > Order qty: 1 pc



Central locking accessories, bar guides and arresting pins are shown on pages **12.160-161**

Key type	Cat. No.
<b>Keyed to differ</b>	234.66.600

Central locking rotary cylinder



- > Ø 16.5 mm cylinder
- > For installation in lock panel
- > With lifting pin and single screw mounting plate
- > Key closure travel 180°
- > Lifting pin closure travel 180°/12 mm
- > 5 plate levers = 200 possible key changes
- > Matt nickel-plated zinc alloy mounting plate and cylinder
- > Accessories: 2 keys
- > Master key and cylinder rosette must be ordered separately, if required
- > Order qty: 1 pc



Master and general master key systems: Please discuss with our sales staff before ordering

Key type	Cat. No.
Keyed to differ	234.68.600

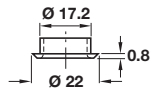
Master key



- > For use with central locking rotary cylinder Cat. No. 234.68.600, shown above
- > Order qty: 1 pc

Key type	Cat. No.
Master key	209.99.500

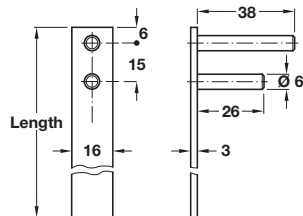
Cylinder rosette



- > Suitable for Ø 16.5 mm cylinders
- > Brass
- > Order qty: Multiples of 10 pcs

Finish	Cat. No.
Matt nickel plated	219.19.970

Central locking bar



- > For use with central locking rotary cylinder Cat. No. 234.68.600 and 209.99.500, shown above
- > Bright aluminium
- > Order qty: 1 pc

Length	Cat. No.
600 mm	237.10.002
800 mm	237.10.004
1000 mm	237.10.006
1500 mm	237.10.009

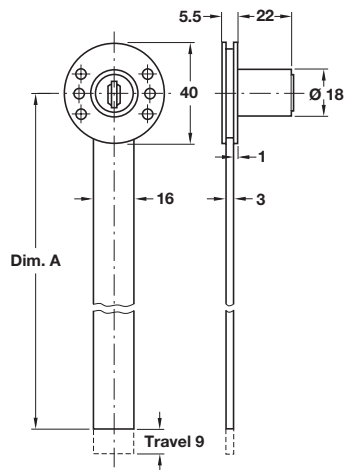


Central locking accessories, bar guides and arresting pins are shown on pages 12.160-161

## Central locking system



- > With Ø 18 mm rotary cylinder
- > For installation in cabinet side panel
- > Key can be removed in locked or unlocked position
- > Bar length 600 mm
- > 5 plate levers = 200 possible key changes
- > Matt nickel plated, zinc alloy case and cylinder
- > Matt nickel plated steel backplate
- > Bright aluminium bar
- > Accessories: 2 keys
- > Cylinder rosette must be ordered separately
- > Order qty: 1 pc

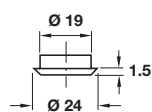


Bar length	600 mm
Dim. A	583 mm
<b>Keyed to differ</b>	237.30.707
<b>Keyed alike: Key change</b>	
FH1	237.30.716

## Cylinder rosette



- > For use with Ø 18 mm cylinders
- > Brass
- > Order qty: Multiples of 100 pcs



Finish	Cat. No.
Matt nickel plated	219.19.676



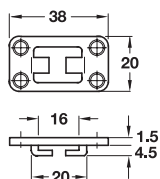
Central locking accessories, bar guides and arresting pins are shown on pages **12.160-161**



Open bar guide



- > Suitable for surface or recess mounting
- > Galvanized steel
- > Order qty: Multiples of 10 pcs

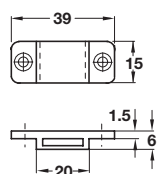
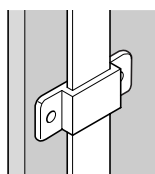
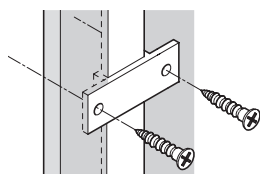


	Cat. No.
Open bar guide	237.23.006

Closed bar guide



- > Suitable for surface or recess mounting
- > Matt nickel plated zinc alloy
- > Order qty: Multiples of 10 pcs



	Cat. No.
Closed bar guide	237.23.711

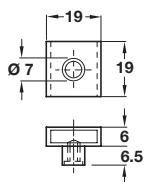
12

Office Furniture Fittings: Locking Systems

Arresting pin, 6.5 mm



- > Recommended for use with 380 mm width systems drawer
- > Nickel plated zinc alloy
- > Accessories: 1 grub screw
- > Order qty: Multiples of 10 pcs

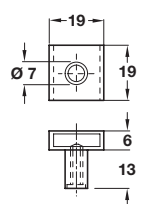


	Cat. No.
Arresting pin	237.22.120

Arresting pin, 13 mm



- > For general purpose use
- > Nickel plated zinc alloy
- > Accessories: 1 grub screw
- > Order qty: Multiples of 10 pcs



	Cat. No.
Arresting pin	237.22.100



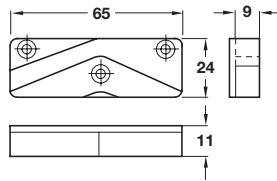
Bar guides and arresting pins are designed for a bar cross-section of 16 x 3 mm. All of the central locks on pages **12.158-159** have bars with these dimensions

TOH TECHNOLOGY 2022, © Hafele U.K. Ltd 2022. Dimensional data not binding. We reserve the right to alter specifications without notice.

## Anti-tilt cam, 3 hole fixing



Left hand version shown



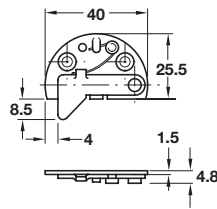
Right hand version shown

- > This item is handed, please order left or right hand
- > Black plastic
- > Order qty: Multiples of 10 pcs

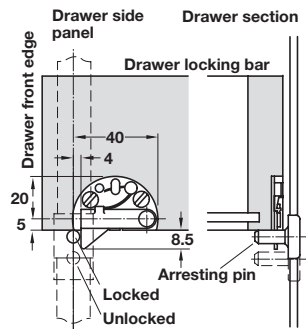


	Left hand	Right hand
Cat. No.	237.01.895	237.01.886

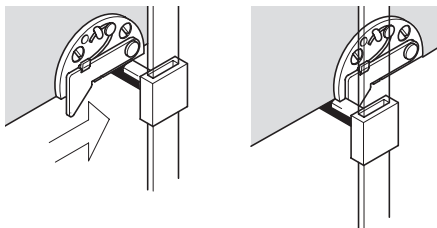
## Drawer catch



- > Nickel plated steel
- > Order qty: 1 pc



Installation of a right handed drawer catch



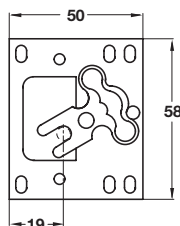
The drawer can be closed even with the pin in the locked position

... but then it is locked



	Left hand	Right hand
Cat. No.	237.16.752	237.16.707

## Arresting catch



- > To be used as an alternative to ball catch, but only for recess mounting
- > This item can be situated anywhere along the bar, over an additional arresting pin
- > For left and right hand use
- > Galvanized steel
- > Order qty: 1 pc



	Cat. No.
Arresting catch	237.01.993

# PADLOCKABLE CAM LOCKS

## Padlockable cam lock



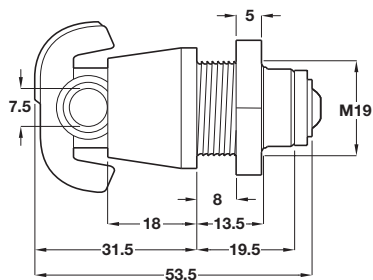
- > To suit panel thickness 6.5, 12.2 or 19.2 mm
- > To suit Ø 5-7 mm shackle
- > With brass nut lock fixing
- > 1/4 rotation camlock to the right
- > Order qty: 1 pc

Photo shows cranked cam 235.61.900, must be ordered separately

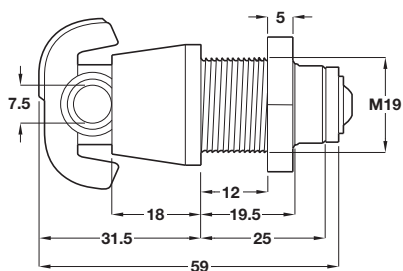
12

Office Furniture Fittings: Locking Systems

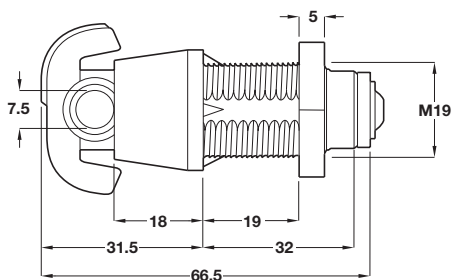
To suit panel thickness 6.5 mm



To suit panel thickness 12.2 mm



To suit panel thickness 19.2 mm



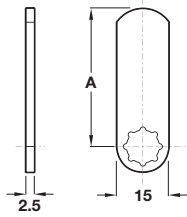
Order cam separately, shown on page 12.163

To suit panel thickness	Body length	Bright nickel	Bright chrome
6.5 mm	19.5 mm	235.88.100	235.88.105
12.2 mm	25 mm	235.88.101	-
19.2 mm	32 mm	235.88.102	235.88.107

## Straight cam



- > Galvanized steel
- > Order qty: 1 pc



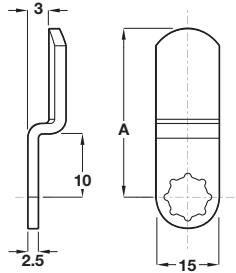
For use with padlockable cam locks shown on page **12.162**

Dim. A	Cat. No.
40 mm	235.61.910
50 mm	235.61.911

## Cranked cam



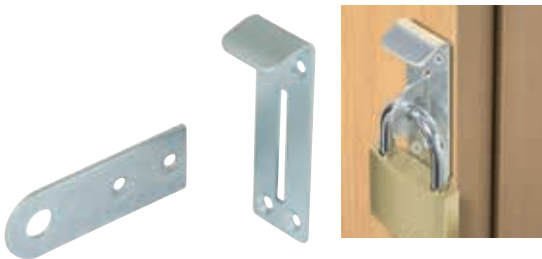
- > 3 mm cranked cam
- > Galvanized steel
- > Order qty: 1 pc



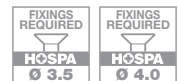
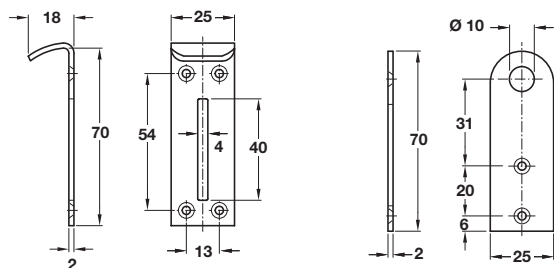
For use with padlockable cam locks shown on page **12.162**

Dim. A	Cat. No.
50 mm	235.61.900

## Safe deposit box lock



- > For use with padlocks (padlock not included)
- > Max. shackle: Ø 7.5 mm
- > Steel
- > Order qty: 1 pc



Finish	Cat. No.
Galvanized	236.05.906



**© Häfele UK 2022**

No part of this catalogue may be reproduced,  
photocopied or stored in any data retrieval  
system without written permission.

**HÄFELE**

07/2022 - OFFICE FURNITURE FITTINGS & ACCESSORIES DIRECTORY 2022

**Häfele UK Ltd** | Swift Valley Industrial Estate | Rugby | Warwickshire | CV21 1RD | Registered in England No. 1486136

**Phone:** 0800 171 2909 | **Fax:** 01788 544440 | **Email:** info@hafele.co.uk | **Technical:** 0800 171 2908

[www.hafele.co.uk](http://www.hafele.co.uk)