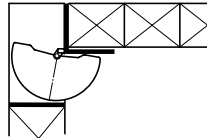


Half Circle Plastic Carousels

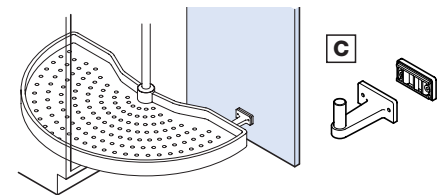
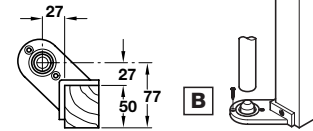
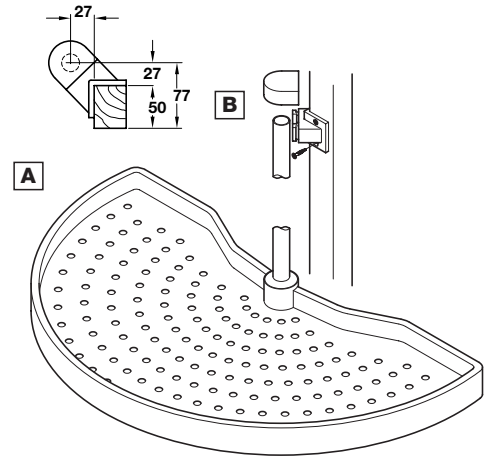
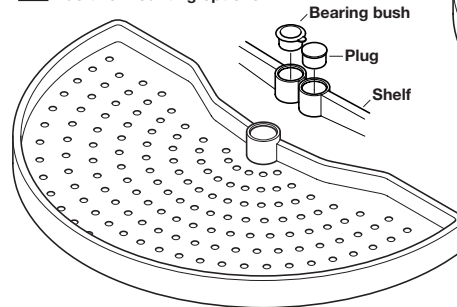
HÄFELE

Order Online at www.hafele.co.uk

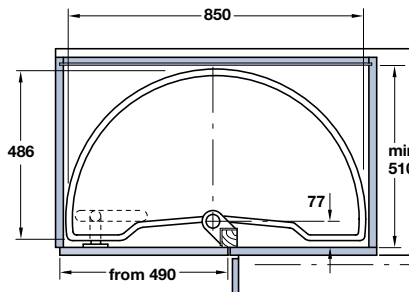
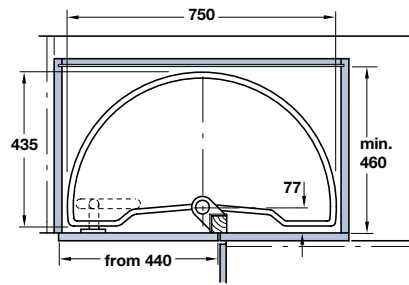
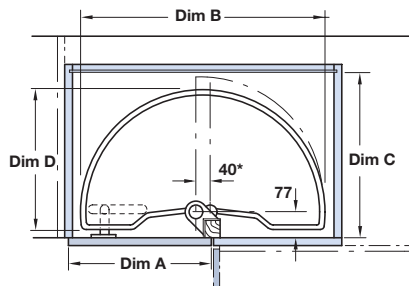
Dimensions in mm



A Carousel shelf for 390 mm min. door width has two mounting options



- **Half circle carousel sets**
- Three sizes of shelf and two spindle heights available
- Shelves swivel independently
- The upper end of the spindle can be cut if required to fit cabinets with less height
- A** **Half circle carousel shelf.** Carousel for 390 mm minimum door width has two mounting options. White or cream-white plastic.
- B** **Fitting set** comprising 500 or 552 mm high spindle, top and bottom fittings and shelf bearings. Silver anodised light alloy spindle. White or cream-white plastic fittings.
- C** **Shelf follower,** for mounting on the cabinet door, automatically pulls out the shelf when the door is opened. White or cream-white plastic.



Half circle carousel sets

Item	No. of items included:
A Carousel shelf	2 pcs
B Fitting set	1 set
C Shelf follower	1 pc
Finish	White
Spindle height: 500 mm	
For minimum door width	Cat. No.
390 mm	541.54.817
440 mm	● 541.54.826
490 mm	+ 541.54.835
Spindle height: 552 mm	
For minimum door width	Cat. No.
390 mm	541.54.844
440 mm	● 541.54.853
490 mm	● 541.54.862

Packing: 1 set

Discontinued ●

Discontinued when stock = 0 +

8

Carousels