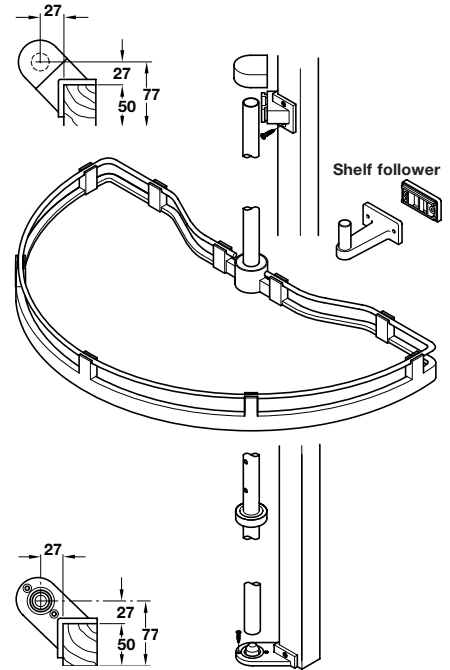
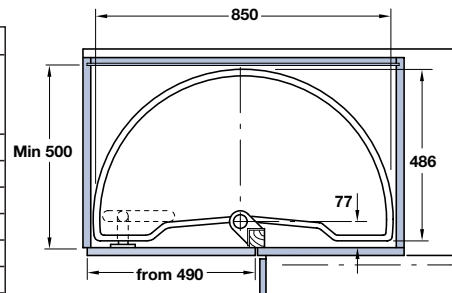
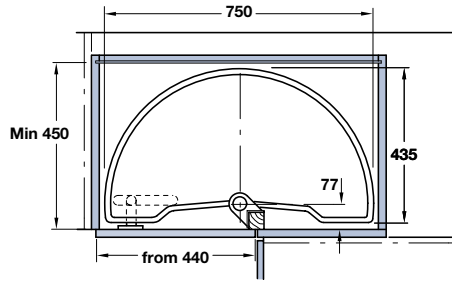




A Half circle carousel sets

- Two sizes of shelf available
- Shelves swivel independently
- The upper end of the spindle can be cut if required to fit cabinets with less height
- **Half circle carousel shelf**, white plastic
- **Fitting set** comprising 410 or 500 mm high spindle, top and bottom fittings and shelf bearings. Silver anodised light alloy spindle. White plastic fittings.
- **Shelf follower**, for mounting on the cabinet door, automatically pulls out the shelf when the door is opened. White plastic.



Item	No. of items included:
Carousel shelf	2 pcs
Fitting set	1 set
Shelf follower	1 pc
Spindle height: 410 mm	
For minimum door width	Cat. No.
440 mm	+ 542.42.712
Spindle height: 500 mm	
For minimum door width	Cat. No.
440 mm	+ 542.42.702
490 mm	+ 542.42.703

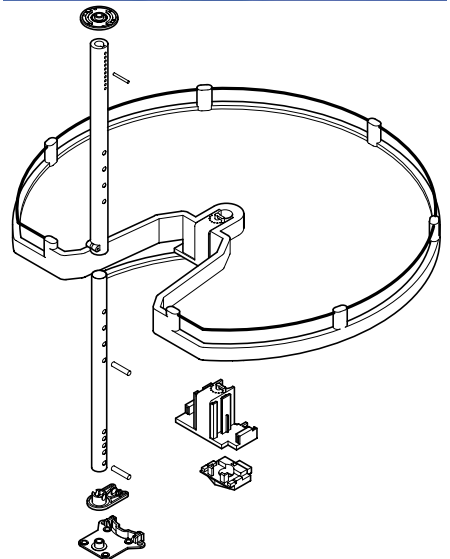
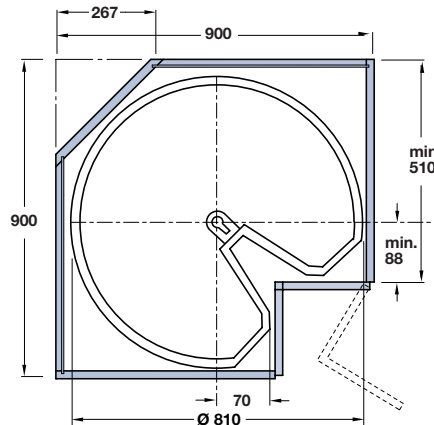
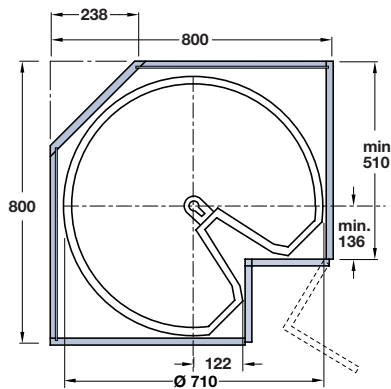
Order qty: 1 set

Discontinued ●

Discontinued when stock = 0 +

B Three-quarter circle carousel set

- Two sizes of shelf available for 800 mm or 900 mm cabinets. Different height adjustable fittings sets supplied with each
- For fitting in cabinets with hinged door
- **Three-quarter circle carousel shelf**, white plastic
- **Fitting set** comprising spindle, vertically adjustable from 667 to 713 mm or 708 to 754 mm, upper and lower fittings, shelf bearings and brake mechanism. Fittings attach the spindle to the cabinet at the top and base. Chrome-plated steel spindle. White plastic fittings, shelf bearings and brake mechanism.



Item	No. of items included:
Carousel shelf	2 pcs
Fitting set	1 set
Spindle height: 708-754 mm	
For cabinet size	Cat. No.
800 x 800 mm	+ 542.44.702
Spindle height: 667-713 mm	
For cabinet size	Cat. No.
800 x 800 mm	+ 542.44.701
900 x 900 mm	+ 542.44.703

Order qty: 1 set

Discontinued when stock=0
For 542.44.701/703 use alt. no. 542.84-0007

We reserve the right to alter specifications without notice.

Dimensions in mm