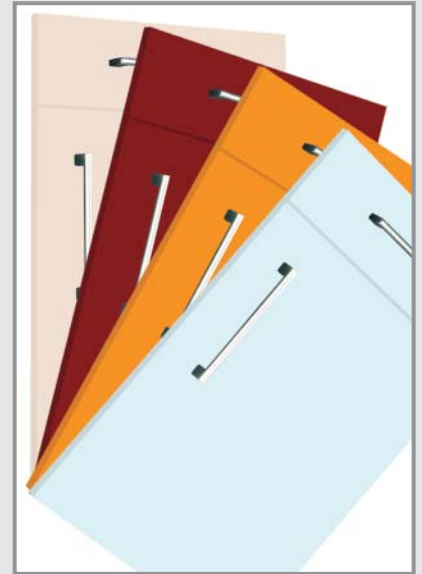


## Fittings and Accessories for Laboratory and Dental Furniture



Order Online at  
[www.hafele.co.uk](http://www.hafele.co.uk)

We accept... .



### Contents -

IDEA+ Motion desking systems .2-3	Doors .....8	Mixer taps .....10
ROPOX adjustable worktop and wall cabinet systems .....4-5	Plinth panels .....9	Tambour doors .....11
Variant-D dental and laboratory drawer system .....6-7	Splashback panels .....9	Powerdocks .....11
	Door and drawer fronts .....10	Cable outlets .....12

### IDEA+ Motion desking system - individually driven and electronically synchronised height adjustable desk frame range, ideally suited to sensitive lab equipment

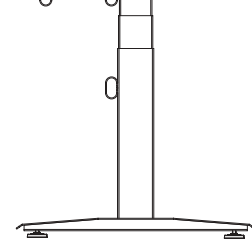
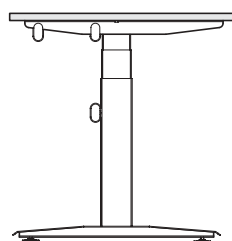
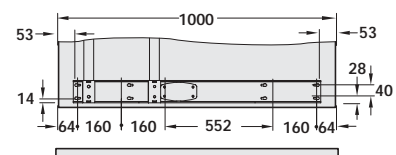
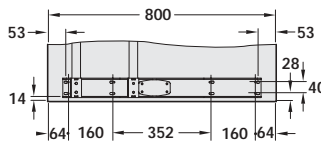
#### IDEA+ Motion

- A modular table system with electric height adjustment
- With 230V electrical drive and operation unit
- Height adjustable from 605-1280 mm
- Maximum load per end frame 60 kg
- Maximum load per desk 120 kg (evenly distributed load)
- High quality rigid steel
- Progressive movement for effortless motion
- Table frames are available for table top depths of 800 mm to 1000 mm
- Various top rail lengths available to create table widths of 800 mm to 2200 mm



#### A IDEA+ Motion modular end frame

- Adjustable for left or right hand
- Motor driven variable vertical adjustment from 605-1280 mm
- Lifting speed: 43 mm/sec
- Lifting power: 600N (1200N/frame)
- Connecting load: 230V AC, 50Hz, 200W (400W frame)
- 1 set of fixing screws, 3 black plastic end caps and 1 table top support included
- Silver coloured RAL 9006 plastic coated steel
- Order rails, control and operating device and mains lead separately
- For each table 2 end frames, 3 same length rails and 1 control and operating device required



	800 mm depth	1000 mm depth
Cat. No.	633.03.222	633.03.232

Order qty: 1 pc

We reserve the right to alter specifications without notice.

Dimensions in mm

### B Control and operating device

- Control unit/drive and all connection cables
- Black plastic casing
- Mains lead not included, please order separately

No. of end frames	Cat. No.
2	633.03.292
3	633.03.293
4	633.03.294

Order qty: 1 set



### C Mains lead

- 1.8 m lead and standard plug
- Black

Cat. No.	830.30.300
----------	------------

Order qty: 1 pc

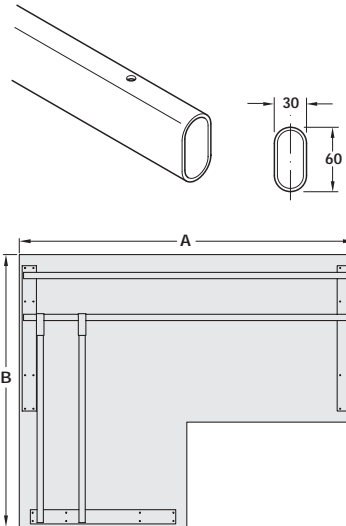


### D IDEA+ rail

- For IDEA+ MOTION frames 3 pcs required per desk
- For corner desks 6 pcs required per desk (see chart), and 3 90° joints
- Silver coloured RAL 9006 plastic coated oval steel tubing

Dim. A (mm)	Dim. B (mm)	Cat. No.
200		654.12.202
400		654.12.204
600	-	654.12.206
800	-	654.12.208
900	1200	654.12.209
1000	1300	654.12.210
1100	1400	654.12.211
1200	1500	654.12.212
1300	1600	654.12.213
1400	1700	654.12.214
1500	1800	654.12.215
1600	1900	654.12.216
1700	2000	654.12.217
1800	2100	654.12.218
1900	2200	654.12.219
2000	-	654.12.220
2200	-	654.12.222
2400	-	654.12.224

Order qty: 1 pc



### E IDEA+ 90° joint

- Fixed at 90°
- Silver coloured RAL 9006 plastic coated steel

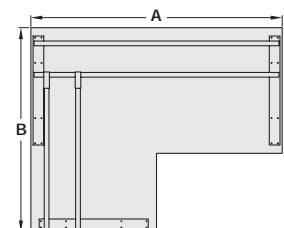
Cat. No.	654.30.200
----------	------------

Order qty: 1 pc



### Recommended quantity per desk size

Length	559 mm	759 mm	959 mm
A	800 mm	1	
	1000 mm		1
	1200 mm		1
	1400 mm	2	
	1600 mm	1	1
	1800 mm		2
B	2000 mm	1	1
	2200 mm		2
	1200 mm		1
	1400 mm		1
	1600 mm	2	
	1800 mm	1	1
2000 mm		2	
2200 mm	1	1	



### F Cable trunking for IDEA+ desk frames

- Hinged at both sides
- For housing IDEA+ Motion control unit, power modules, strain relief device and cable tidy
- Silver coloured RAL 9006 plastic coated steel

Length	Cat. No.
559 mm	654.69.206
759 mm	654.69.208
959 mm	654.69.210

Order qty: 1 pc

Dimensions in mm

We reserve the right to alter specifications without notice.



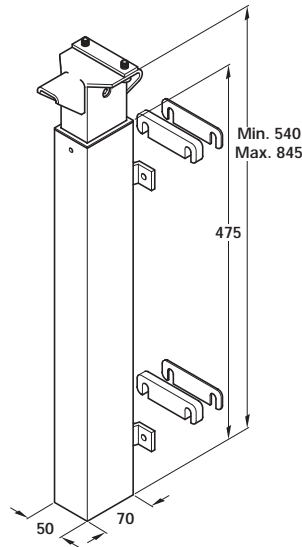
**ROPOX**

### A Leg

- Leg allows height adjustment from 650-950 mm
- Includes wall spacers
- Painted steel

Finish	Cat. No.
White	506.16.730

Order qty: 1 pc

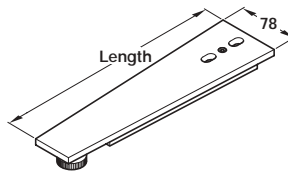


### B Supporting bracket

- With adjustable screw in foot
- White painted steel

Length	Cat. No.
300 mm	506.16.731
490 mm	506.16.732

Order qty: 1 pc

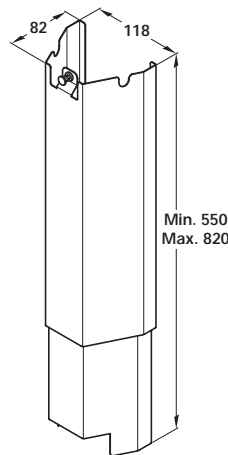


### C Cover for leg

- For use with or without supporting bracket B
- White painted steel

For use	Cat. No.
without supporting bracket	506.16.733
with supporting bracket	506.16.734

Order qty: 1 pc



Drawing shows cover for leg for use with supporting bracket

Photo shows cover for leg for use without supporting bracket

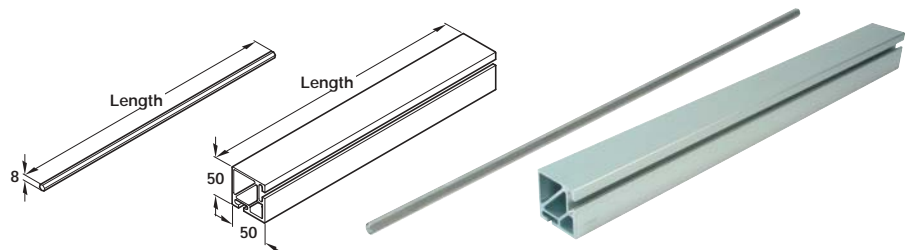


### D Wall bar profile and spindle

- With 8 mm steel spindle
- Aluminium

Wall bar profile length	Spindle length	Cat. No.
<b>For 2 m worktop length</b>		
1950 mm	1850 mm	506.16.001
<b>For 3 m worktop length</b>		
2950 mm	2850 mm	506.16.002

Order qty: 1 pc

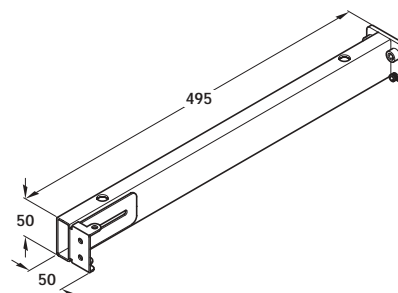


### E Support for worktop

- Supports worktop depth 600-620 mm
- Painted steel

Finish	Cat. No.
White	506.16.740

Order qty: 1 pc



We reserve the right to alter specifications without notice.

Dimensions in mm

### F Handle

- Includes transmission
- Aluminium

Cat. No.	506.16.950
----------	------------

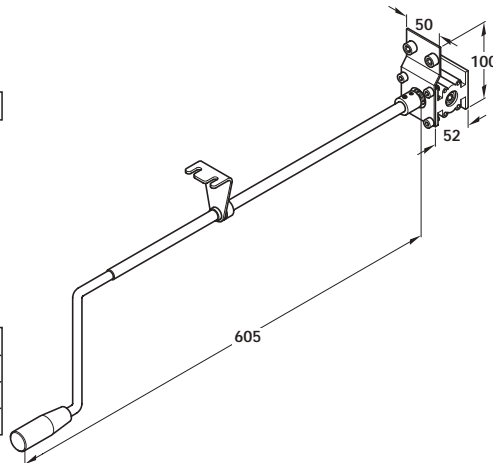
Order qty: 1 pc

### G Motor and control box

- For electric adjustment of worktop system
- Motor, includes 2000 mm cable
- Control box, for 2 motors, includes control switch and cables

Item	Cat. No.
Motor	506.16.360
Control box, 2 motor	506.16.361
Control box, 1 motor	506.16.364

Order qty: 1 pc

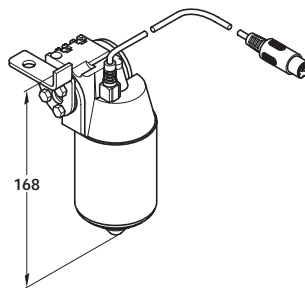


### H Safety stop

- For worktop system and adjustable table frame shown below
- Automatic safety stop to ensure that nothing gets crushed beneath worktop fascia
- To span worktops longer than 1000 mm safety stops can be connected
- Can be connected to the wall cabinet system safety plate using additional circuit 506.17.901
- Circuit included, allows the safety plate of the wall cupboard system to be connected to the safety stop of the worktop system

Length	Cat. No.
490 mm	506.17.902
990 mm	506.17.903

Order qty: 1 pc



### I Accessories and spares for wall cabinet and worktop systems

- Motor extension cable, length 2500 mm
- Spare control switch, includes 1600 mm cable, black plastic
- Press pad, alternative to control switch, has a larger surface area for easier use, white plastic

Item	Cat. No.
Motor extension cable	506.17.910
Control switch	506.16.363
Press pad	506.16.764
Additional circuit	506.17.901

Order qty: 1 pc

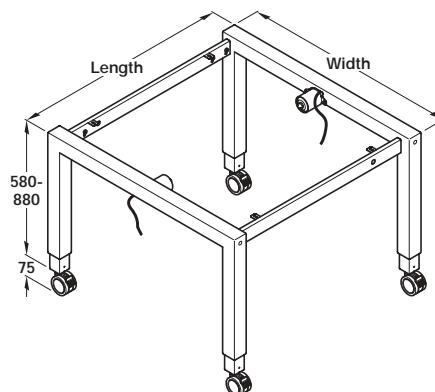


### J Height adjustable table frame

- Electrically height adjustable
- Can be mains or battery powered
- Height adjustable from 580 - 880 mm (add 75 mm for height with castors)
- Includes motor, cables and transformer for connecting to mains power
- Castors are not included, please use castor Cat. No. 660.90.235 and pin Cat. No. 660.92.920
- Safety stops can be used to ensure nothing gets crushed beneath the table as it is adjusted see item H above
- Metallic silver painted steel

Length	Width	Cat. No.
950 mm	650 mm	638.20.901
1600 mm	950 mm	638.20.903
2000 mm	950 mm	638.20.905
<b>Replacement battery</b>		638.20.990

Order qty: 1 set



Castors and table top are not included



Dimensions in mm

We reserve the right to alter specifications without notice.

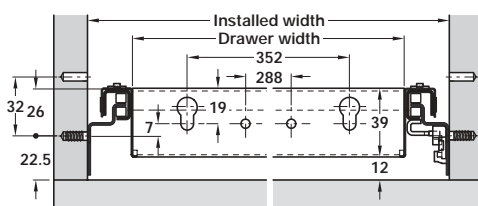


### A Variant-D drawer

- Installed dimensions: W 462 mm x D 460 mm
- Internal dimensions: W 412 mm x D 310 mm x H 39 mm
- Single extension
- Extension length: 345 mm
- 30 kg capacity
- **Self closing**
- Drawer has side covers to conceal runners
- Plastic coated steel, white RAL 9001

Internal drawer height	39 mm
Soft closing	Cat. No.
without	429.45.730
with (one side only)	429.45.700

Order qty: 1 pc

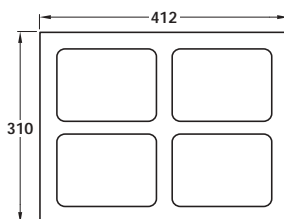


### B Shallow drawer insert

- 28 mm height (for 39 mm internal drawer height)
- 2.5 mm material thickness
- White high gloss plastic (deep drawn)

Cat. No.	556.76.750
----------	------------

Order qty: 1 pc

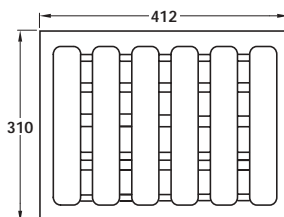


### C Shallow drawer insert

- 28 mm height (for 39 mm internal drawer height)
- 2.5 mm material thickness
- White high gloss plastic (deep drawn)

Cat. No.	556.76.769
----------	------------

Order qty: 1 pc

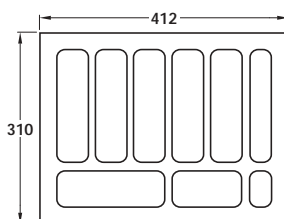


### D Shallow drawer insert

- 28 mm height (for 39 mm internal drawer height)
- 2.5 mm material thickness
- White high gloss plastic (deep drawn)

Cat. No.	556.76.741
----------	------------

Order qty: 1 pc



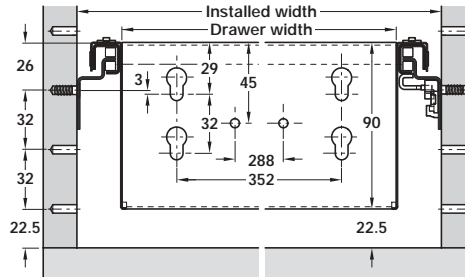


### A Variant-D drawer

- Installed dimensions: W 462 mm x D 460 mm
- Internal dimensions: W 412 mm x D 310 mm x H 90 or 160 mm
- Single extension
- Extension length: 345 mm
- 30 kg capacity
- **Self closing**
- Drawer has side covers to conceal runners
- Plastic coated steel, white RAL 9001

Internal drawer height	90 mm	160 mm
Soft closing		
without	429.45.740	429.45.750
with (both sides)	429.45.710	429.45.720

Order qty: 1 pc

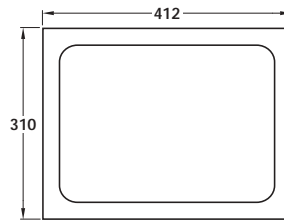


### B Deep drawer insert

- 85 mm height (for 90/160 mm internal drawer)
- 2.5 mm material thickness
- White high gloss plastic (deep drawn)

Cat. No.	556.76.778
----------	------------

Order qty: 1 pc

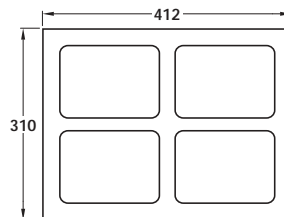


### C Deep drawer insert

- 85 mm height (for 90/160 mm internal drawer)
- 2.5 mm material thickness
- White high gloss plastic (deep drawn)

Cat. No.	556.76.787
----------	------------

Order qty: 1 pc

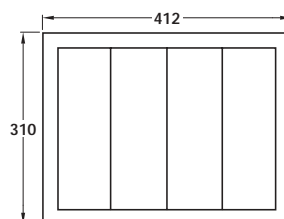


### D Deep drawer insert

- 85 mm height (for 90/160 mm internal drawer)
- 2.5 mm material thickness
- White high gloss plastic (deep drawn)

Cat. No.	556.76.790
----------	------------

Order qty: 1 pc



Introducing our new range of High Gloss lacquered doors and panels in various different colours. Please contact us for further information.

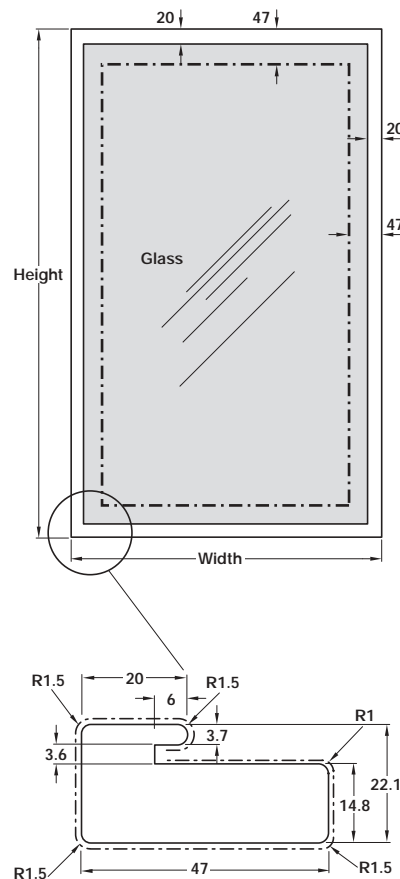


### A Aluminium wrapped glass door

- MDF frame allows the user to drill any hinge hole or drawer box configuration, to suit their drilling patterns
- Glass is toughened
- Handles can be face-fixed or side/under-mounted
- Product is suitable for use in the kitchen, bathroom, bedroom and furniture sectors
- MDF wrapped aluminium effect PPI

Size (height x width)	Cat. No.
140 x 496 mm	564.35.014
140 x 596 mm	564.35.015
140 x 796 mm	564.35.016
140 x 896 mm	564.35.017
140 x 996 mm	564.35.018
283 x 496 mm	564.35.024
283 x 596 mm	564.35.025
283 x 796 mm	564.35.026
283 x 896 mm	564.35.027
283 x 996 mm	564.35.028
355 x 496 mm	564.35.034
355 x 596 mm	564.35.035
355 x 796 mm	564.35.036
355 x 896 mm	564.35.037
355 x 996 mm	564.35.038
570 x 296 mm	564.35.042
570 x 396 mm	564.35.043
570 x 496 mm	564.35.044
570 x 596 mm	564.35.045
570 x 796 mm	564.35.046
570 x 996 mm	564.35.048
716 x 146 mm	564.35.051
716 x 296 mm	564.35.052
716 x 396 mm	564.35.053
716 x 496 mm	564.35.054
716 x 596 mm	564.35.055

Order qty: 1 pc



We reserve the right to alter specifications without notice.

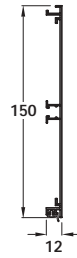
Dimensions in mm

### A Plinth panel

- 150 mm high
- 3000 mm lengths
- Anodised aluminium

Cat. No. 781.34.903

Order qty: 1 pc



### B End profile, 150 mm

- For use with aluminium plinth panel item A
- With fixings
- Anodised aluminium

Cat. No. 781.34.990

Order qty: 1 pc



### C End cap for aluminium plinth

- For use with aluminium plinth panel item A
- 146 mm high for plinth 150 mm
- Anodised aluminium

Cat. No. 781.34.991

Order qty: Multiples of 2 pcs



### D Corner connector

- For use with aluminium plinth panel item A
- 146 mm high for plinth 150 mm
- Anodised aluminium

Cat. No. 781.34.992

Order qty: 1 pc

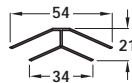


### E Corner connector, 135°

- For use with aluminium plinth panel item A
- 146 mm high for plinth 150 mm
- Anodised aluminium

Cat. No. 781.34.993

Order qty: 1 pc

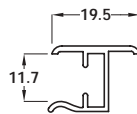


### F Plinth connector

- For use with aluminium plinth panel A
- 146 mm high for plinth 150 mm
- Anodised aluminium

Cat. No. 781.34.994

Order qty: 1 pc

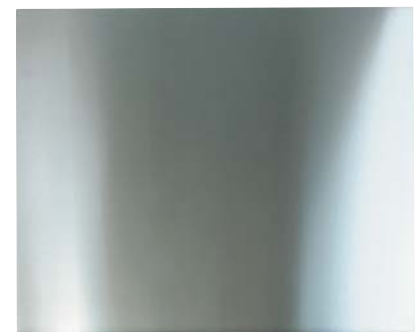
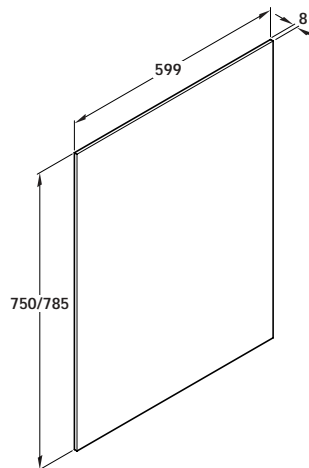


### G Splashback panel with MDF core

- For attaching to wall with silicone (order separately)
- 0.8 mm thick stainless steel with welded corners wrapped around MDF core 8 mm thick
- Brushed stainless steel, brushed effect runs vertically

Height x width	Cat. No.
750 mm x 599 mm	563.21.090
785 mm x 599 mm	563.21.093

Order qty: 1 pc



Dimensions in mm

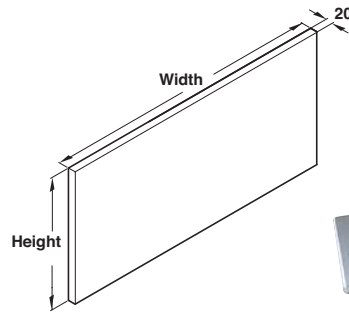
We reserve the right to alter specifications without notice.

### A Drawer front

- Undrilled
- 20 mm thick
- 19 mm chipboard core and 1 mm stainless steel or aluminium cover with pastel grey melamine reverse

Height x width	Stainless steel	Aluminium
140 mm x 296 mm	563.21.031	563.21.331
140 mm x 496 mm	563.21.051	563.21.351
140 mm x 596 mm	563.21.071	563.21.371
195 mm x 596 mm	563.21.070	563.21.370
284 mm x 496 mm	563.21.052	563.21.352
284 mm x 596 mm	563.21.072	563.21.372

Order qty: 1 pc

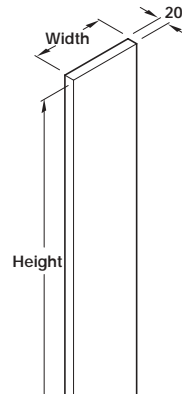


### B Door front

- Undrilled
- 20 mm thick
- 19 mm chipboard core and 1 mm stainless steel or aluminium cover with pastel grey melamine reverse

Height x width	Stainless steel	Aluminium
572 mm x 296 mm	563.21.033	563.21.333
572 mm x 496 mm	563.21.053	563.21.353
572 mm x 596 mm	563.21.073	563.21.373
716 mm x 146 mm	563.21.081	563.21.381
716 mm x 296 mm	563.21.034	563.21.334
716 mm x 496 mm	563.21.054	563.21.354
716 mm x 596 mm	563.21.074	563.21.374

Order qty 1 pc

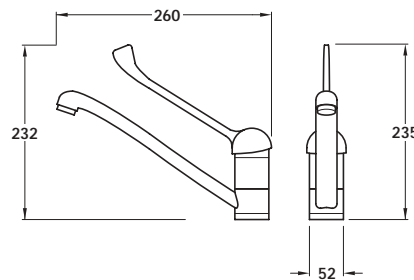


### C Long lever mixer tap

- Monoblock
- WRAS approved
- 0.5 bar minimum pressure
- Suitable for the elderly and the disabled
- Brass

Finish	Cat. No.
Polished chrome	566.42.520

Order qty: 1 pc

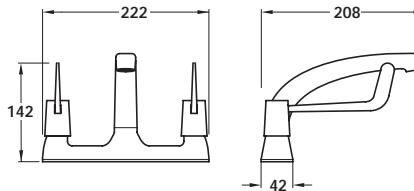


### D Mixer tap

- Deck
- 6 inch lever
- WRAS approved
- No minimum operating pressure
- Suitable for the elderly and the disabled
- Brass

Finish	Cat. No.
Polished chrome	566.37.520

Order qty: 1 pc

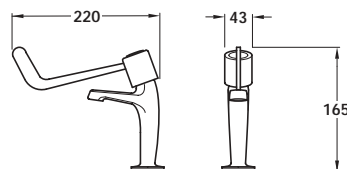


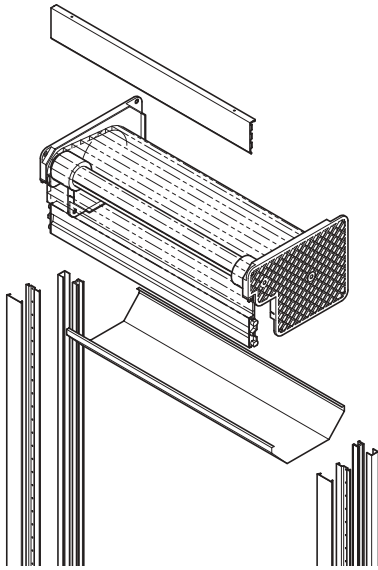
### E Mixer tap

- Monoblock single lever
- 6 inch lever
- WRAS approved
- No minimum operating pressure
- Suitable for the elderly and the disabled
- Brass

Finish	Cat. No.
Polished chrome	566.42.530

Order qty: 1 pair



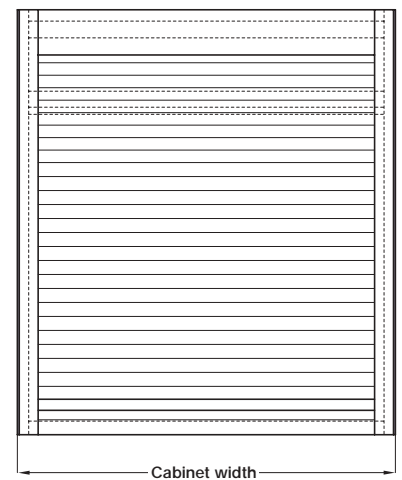
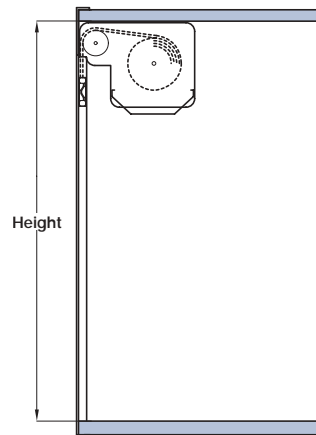


**A Complete aluminium tambour system**

- For use in a 500 or 600 mm wide cabinet
- For 18 mm board thickness
- For tambour door height up to 720 or 1210 mm
- Set includes all parts required to create tambour door with handle profile
- Easy to fit
- Satin anodised aluminium

Cabinet width x height	Cat. No.
500 x 720 mm	443.10.901
600 x 720 mm	443.10.911
500 x 1210 mm	443.10.902
600 x 1210 mm	443.10.912

Order qty: 1 set



Vertical powerdock has a protection rating of IP54 (category 2) in accordance with BS EN60529:1992 when in the retracted position only.

This prevents any water ingress into the unit from splashing water and also provides dust protection. Care should be taken to prevent the possibility of water ingress into the unit during use.

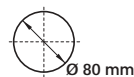
The unit should be connected to a power supply with earth leakage protection.

**B Vertical powerdock**

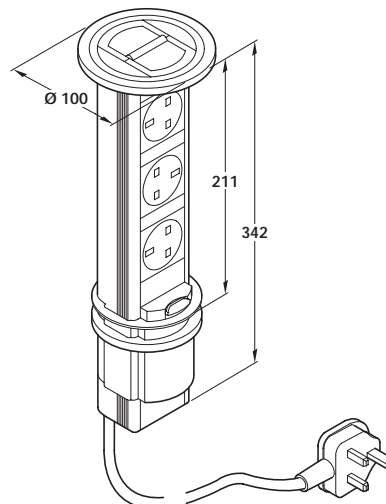
- With master neon switch
- Consists of:
  - 3 x 13A sockets and spacer
  - 1 x 2 m mains lead with 13A moulded UK plug
- IP54 rated when closed
- Recommended for use in kitchens
- Aluminium, black coloured plastic, light grey

No. of 13A sockets	Cat. No.
3	822.82.910

Order qty: 1 pc



Drilling template



Dimensions in mm

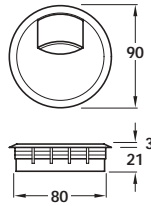
We reserve the right to alter specifications without notice.

### A Cable outlet, sliding system, Ø 80 mm

- Two part cable outlet for installation in Ø 80 mm holes
- With integral sliding cover
- Plastic

Finish	Cat. No.
White aluminium effect	631.35.204
Stainless steel effect	631.35.004

Order qty: 1 pc

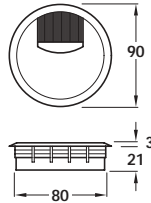


### B Cable outlet, brush system, Ø 80 mm

- Two part cable outlet for installation in Ø 80 mm holes
- With flexible brush seal
- Plastic

Finish	Cat. No.
White aluminium effect	631.35.214
Stainless steel effect	631.35.014

Order qty: 1 pc

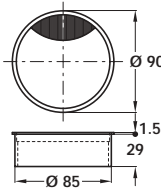


### C Cable outlet, Ø 85 mm

- Two part cable outlet, for press fitting/gluing into Ø 85 mm holes
- With flexible brush seal
- Anodised aluminium

Finish	Cat. No.
Anodised aluminium	429.86.925

Order qty: 1 pc

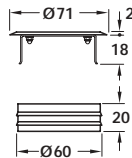


### D Cable outlet, Ø 60 mm

- 2 part, round with circular, smooth bevel
- Press fit
- Cable cut out size: 10 x 17 mm
- Stainless steel

Finish	Cat. No.
Fine ground finish	631.04.000

Order qty: 1 pc



### Rugby Head Office

Sales and Technical Support for Central and East England:

### Häfele UK Ltd.

Swift Valley Industrial Estate,  
Rugby, Warwickshire,  
CV21 1RD

Telephone: 01788 542020

Fax: 01788 544440

Email: info@hafele.co.uk

Website: [www.hafele.co.uk](http://www.hafele.co.uk)



Order Online at  
[www.hafele.co.uk](http://www.hafele.co.uk)

### New Essentials brochure

For the woodworker, joiner, facilities and maintenance worker



To request your copy of **The New Essentials brochure** either phone us with your details or request a brochure online at [www.hafele.co.uk](http://www.hafele.co.uk)

### Regional Offices

For Sales and Technical Support:

#### Bristol

3A Osprey Court,  
Hawkfield Business Park,  
Whitchurch,  
Bristol, BS14 0BB

Tel: 0117 935 9645

Fax: 0117 935 9646

E-mail:

bristol.office@hafele.co.uk

#### London

23-24 Bourne Court,  
Southend Road,  
Woodford,  
Essex, IG8 8HD

Tel: 0208 551 8888

Fax: 0208 550 6635

E-mail:

london.office@hafele.co.uk

#### Manchester

Unit 11-12, Salford Uni.  
Business Park, Leslie  
Hough Way, Salford,  
Manchester, M6 6AJ

Tel: 0161 745 8242

Fax: 0161 736 3288

E-mail:

manchester.office@hafele.co.uk

#### Scotland

Hamilton Business Park,  
Caird Park  
Hamilton,  
ML3 0QA

Tel: 01698 422 525

Fax: 01698 422 390

E-mail:

scotland.office@hafele.co.uk

#### Wales

1st Floor,  
23B Llandeilo Road  
Cross Hands,  
Llanelli, SA14 6NA

Tel: 01269 831 433

Fax: 01269 845 610

E-mail:

wales.office@hafele.co.uk

#### Yorkshire

14A Swordfish Way,  
Enterprise Park,  
Sherburn In Elmet,  
Leeds, LS25 6NG

Tel: 01977 680 388

Fax: 01977 680 389

E-mail:

yorkshire.office@hafele.co.uk