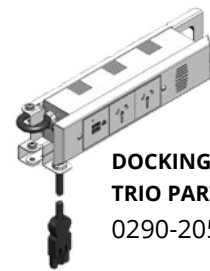


Docking Drawer®

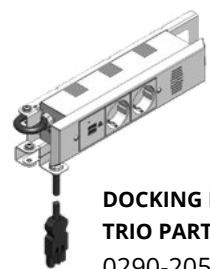
Docking Drawer Duo™ and Docking Drawer Trio™ Installation Instructions



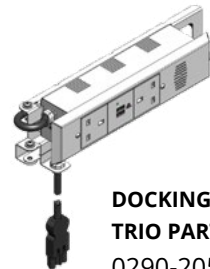
**DOCKING DRAWER
DUO PART #:**
0290-20610-AUS
0290-20610-EUR
0290-20610-UK



**DOCKING DRAWER
TRIO PART #:**
0290-20533-AUS



**DOCKING DRAWER
TRIO PART #:**
0290-20533-EUR



**DOCKING DRAWER
TRIO PART #:**
0290-20533-UK

Time Required - 30 min

- Tools Needed:
- Jigsaw
 - Drill
 - Measuring Tape
 - Screwdriver
 - Square
 - Pencil
 - Cutout Template

Visit our Support Library at
help.dockingdrawer.com to find:

Detailed Mounting Diagrams to plan your installation,
DXF and STEP Files for importing into 2D and 3D layout
programs.

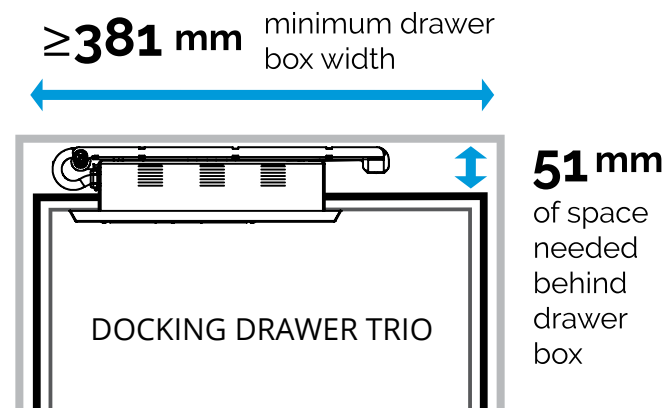
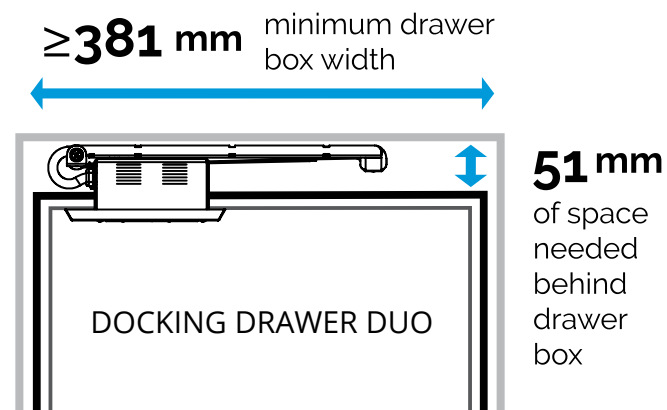


CAUTION – READ CAREFULLY

- Failure to follow these instructions can cause death or permanent injury. Do not work on live electrical circuits! Make absolutely certain power is off before connecting the device!
- This product is for dry, indoor and permanent installations only.
- Install the device in accordance with all national and local electrical codes.

How to Install the Outlet

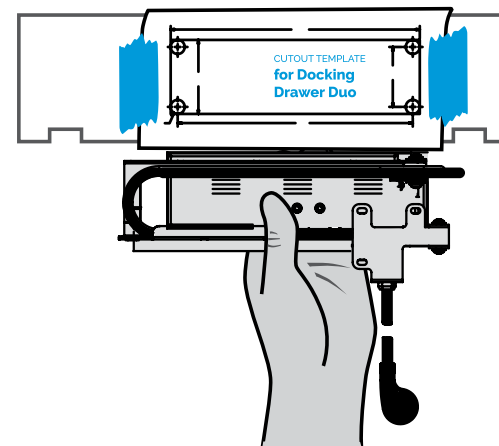
Step 1 - Verify the drawer dimensions. Docking Drawer Duo and Trio outlets require at least 51 mm behind the drawer box and at least a 381 mm wide drawer box.



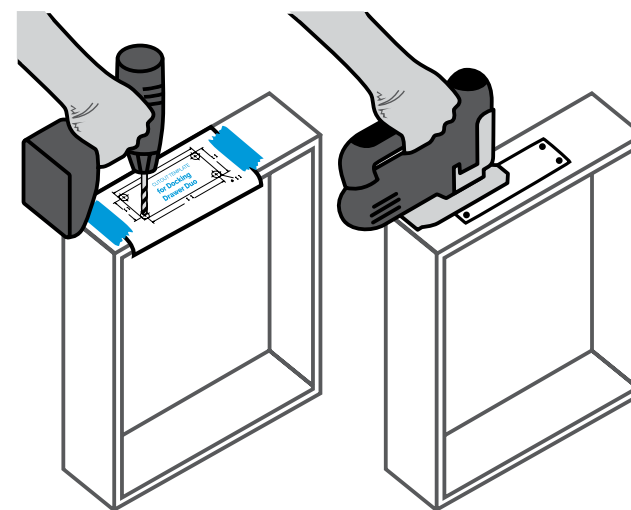
Step 2 - Remove the cutout template and flip to the side that corresponds with your product's part number.

Step 3 - Locate the proper location for the receptacle box using our cutout template. You can locate the proper location from either the inside or backside of the drawer box, making sure that the arms will not interfere with the slides and that there is enough material surrounding the receptacle box to securely hold it in place.

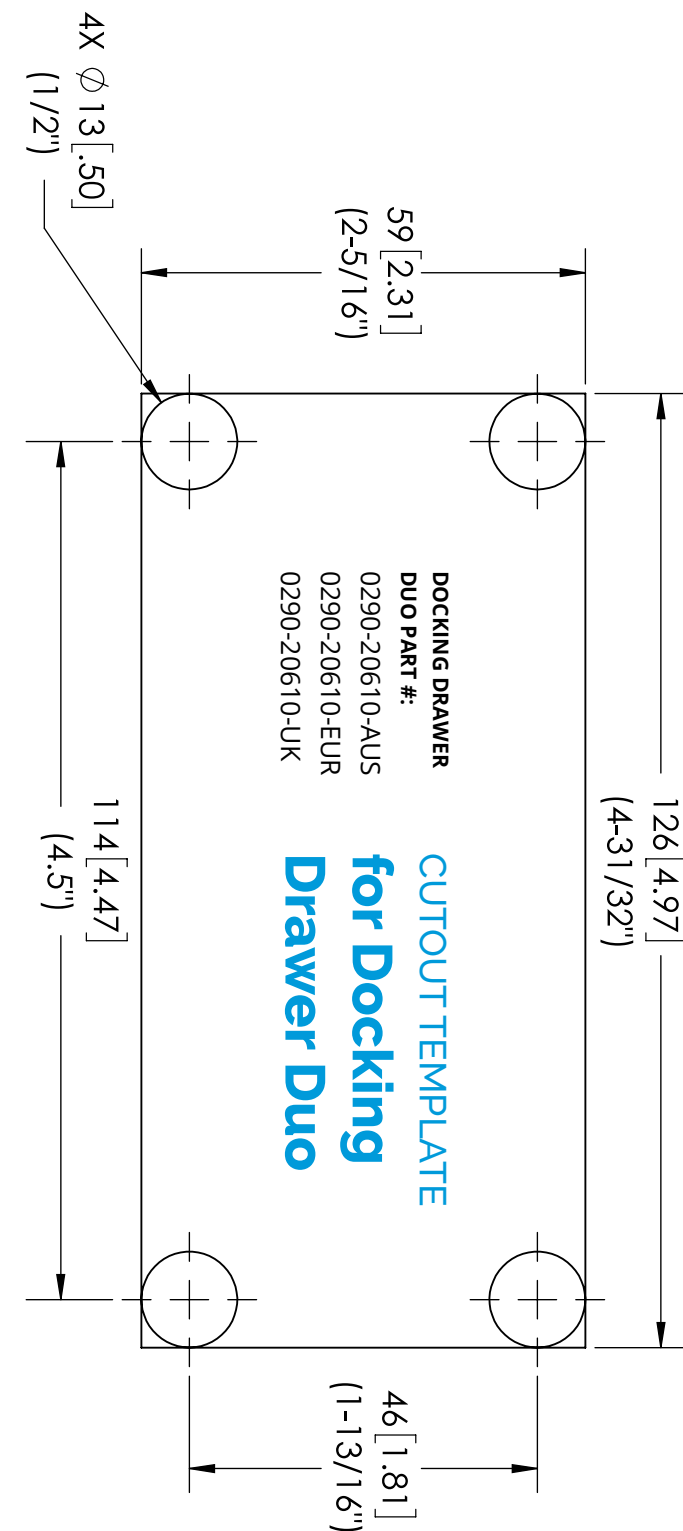
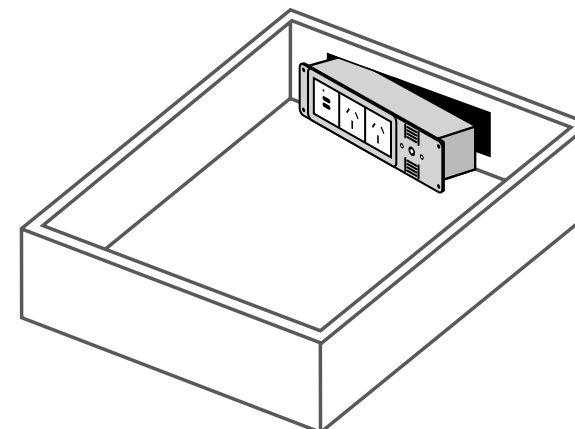
Step 3 - cont.



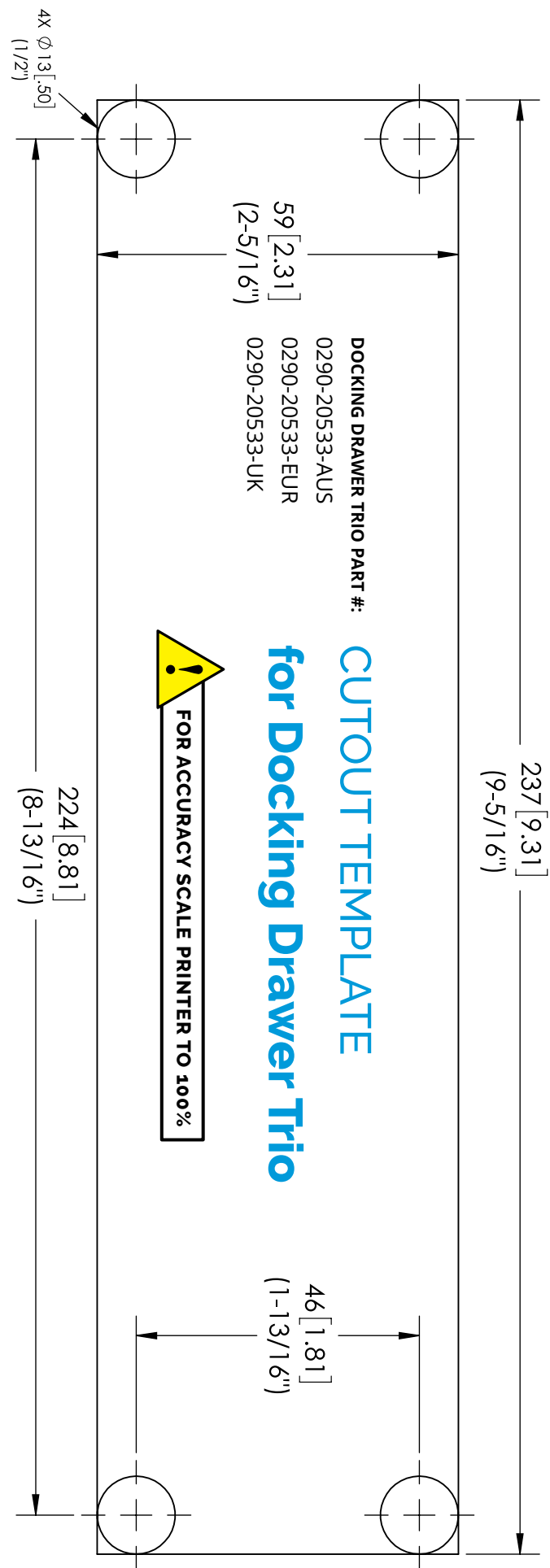
Step 4 - With a 1/2" drill bit, drill a hole in each corner, being careful not to splinter the wood on the inside of the drawer box. Using one of the 1/2" holes, insert a jigsaw and then make the required cutouts in the drawer box.



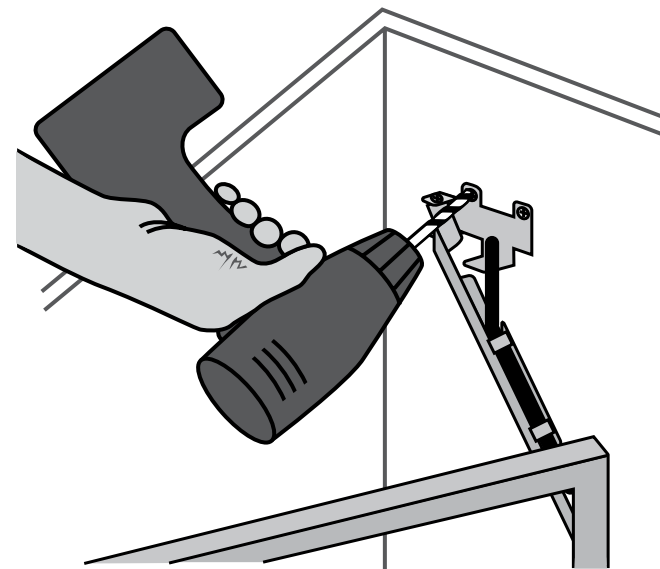
Step 5 - Reinstall the drawer box and slide the Docking Drawer Duo or Trio receptacle box through the cutout. Secure it with the 4 wood screws provided.



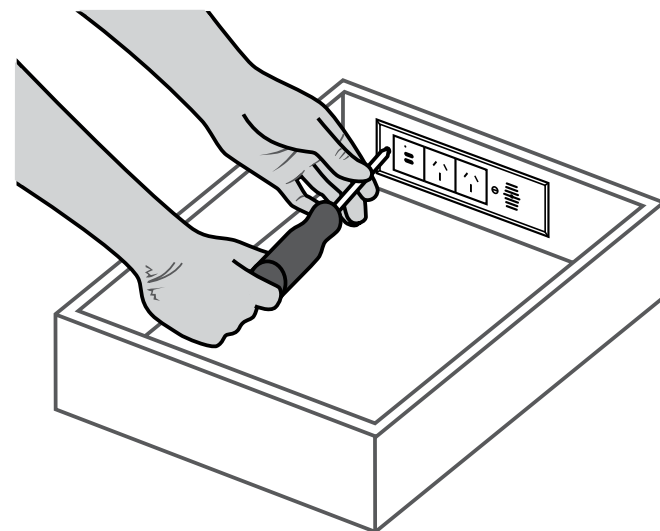
FOR ACCURACY SCALE PRINTER TO 100%



Step 6 - Align arms. With the drawer mostly closed, mark the position of the rear mounting bracket. It is important to make sure the drawer moves freely in and out and that the arms are square and even. Spend sufficient time at this step before fastening the bracket to the rear wall to make sure everything is square and the arms are in the correct position. Once that is done, secure with the screws provided.



Step 7 - Install the cover plate.



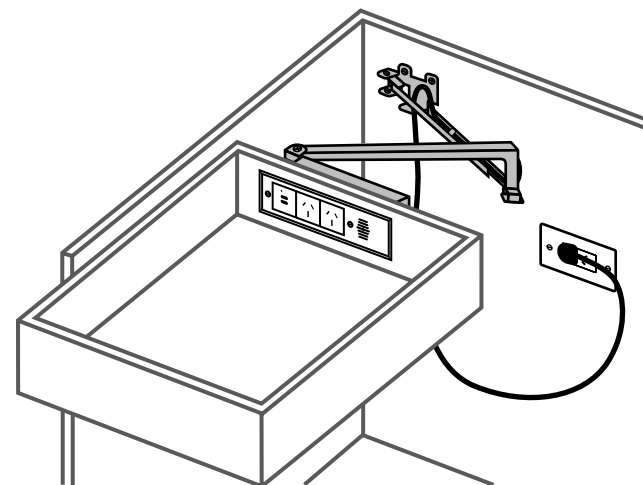
Step 8 - Each Docking Drawer Duo and Docking Drawer Trio has a GST-18 plug that connects to an included country-specific patch cord.

To connect the patch cord to the outlet, plug the male end into the female end and use the clip to secure the connectors.

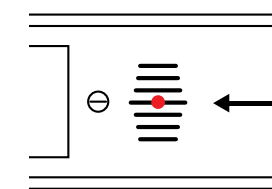
Clip & Patch Cord



Step 9 - Connect the Docking Drawer power cord to the in-cabinet electrical supply.



How to Operate the Outlet



Docking Drawer Trio outlet models utilize a thermostat that removes power to the device when the ambient temperature

reaches 55°C. The thermostat will remain in the tripped position until reset. To reset, use a small diameter rod or equivalent to push the red reset button.



For private households: Information on Disposal for Users of WEEE This symbol (figure 1) on the product(s) and / or accompanying documents means that used electrical and electronic equipment (WEEE) should not be mixed with general household waste.

For proper treatment, recovery and recycling, please take this product(s) to designated collection points where it will be accepted free of charge. Alternatively, in some countries, you may be able to return your products to your local retailer upon purchase of an equivalent new product.

Disposing of this product correctly will help save valuable resources and prevent any potential negative effects on human health and the environment, which could otherwise arise from inappropriate waste handling.

Please contact your local authority for further details of your nearest designated collection point. Penalties may be applicable for incorrect disposal of this waste, in accordance with your national legislation.

For professional users in the European Union

If you wish to discard electrical and electronic equipment (EEE), please contact your dealer or supplier for further information.

For disposal in countries outside of the European Union

This symbol is only valid in the European Union (EU). If you wish to discard this product please contact your local authorities or dealer and ask for the correct method of disposal.