

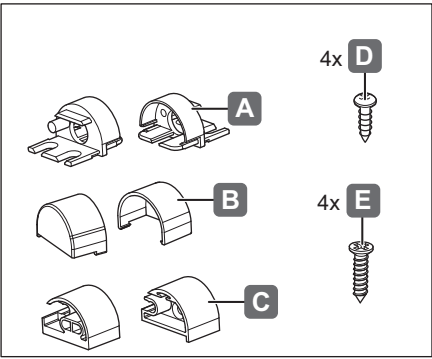




833.74.877	833.89.110
833.74.837	833.89.111
833.74.835	833.89.088
	833.89.089

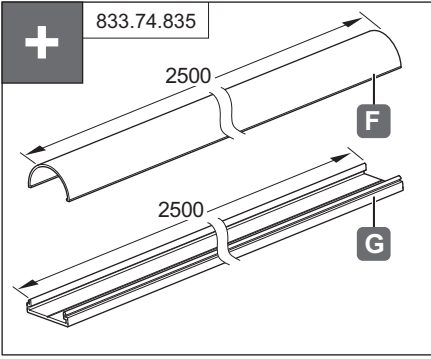
732.28.500



4x **D**

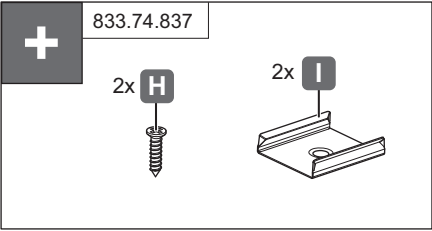
4x **E**



833.74.835

2500

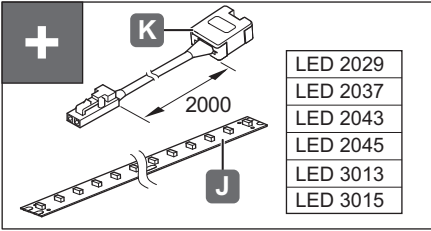
2500



833.74.837

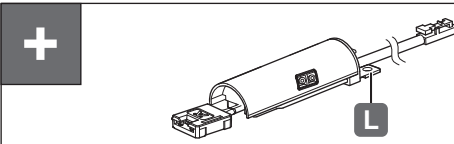
2x **H**

2x **I**






2000

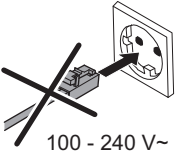
LED 2029
LED 2037
LED 2043
LED 2045
LED 3013
LED 3015



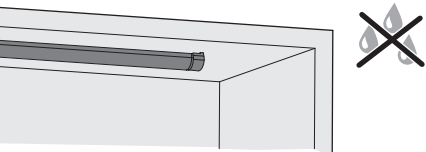
	12 V System	24 V System
IR Door	833.89.110	833.89.111
PIR	833.89.088	833.89.089





100 - 240 V~

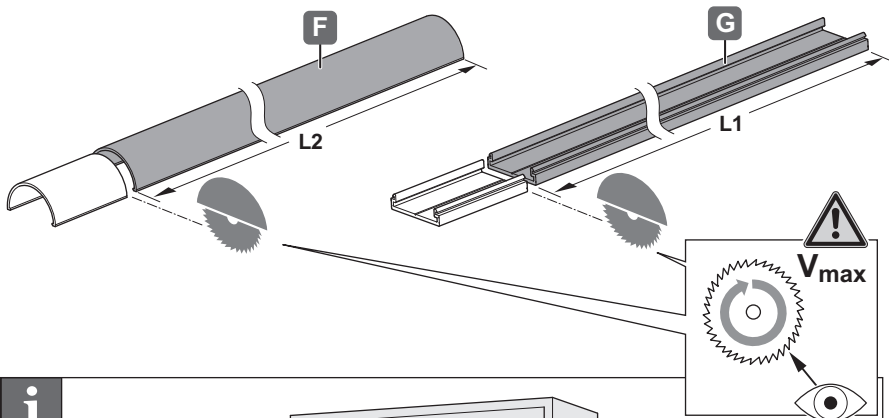


HDE 06/2015

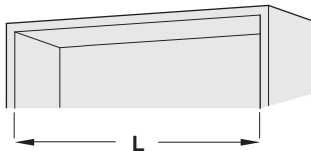
1



„mm“

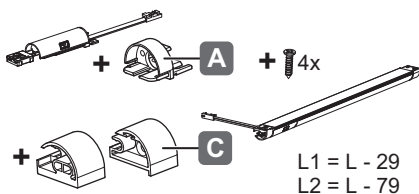
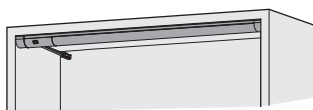


i

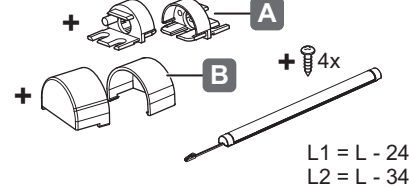
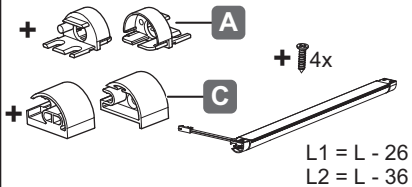
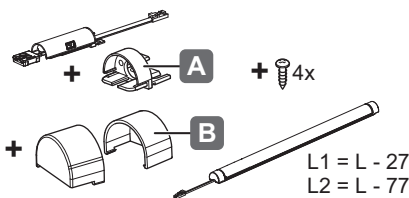
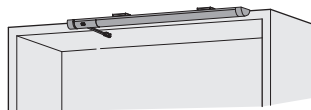


732.28.500

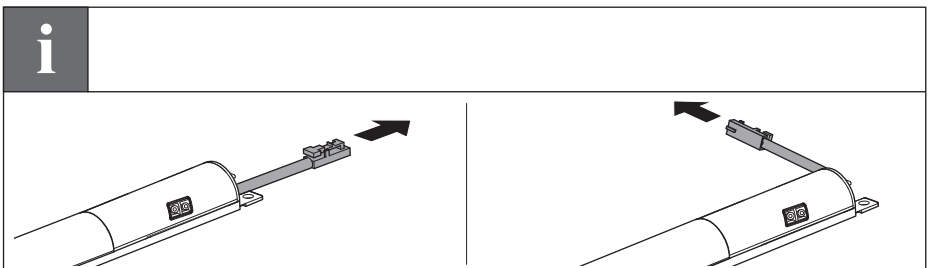
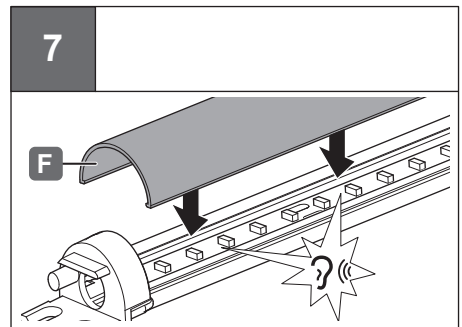
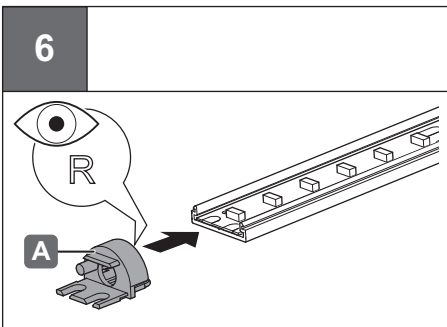
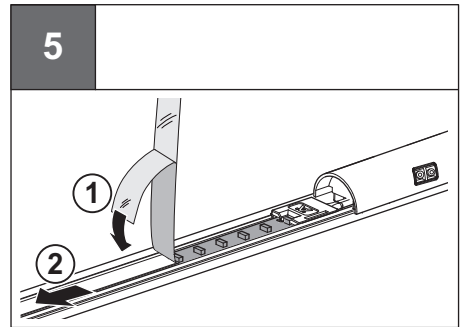
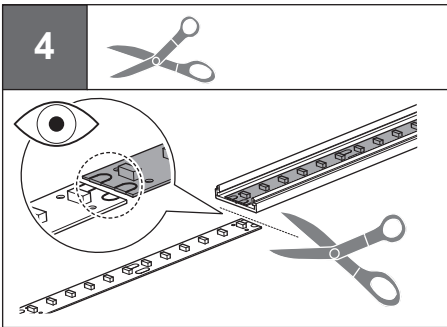
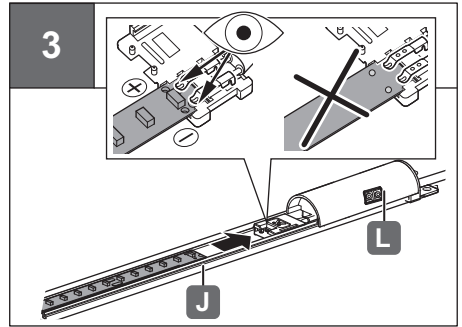
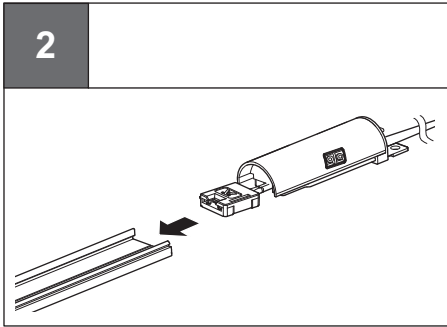
A



B

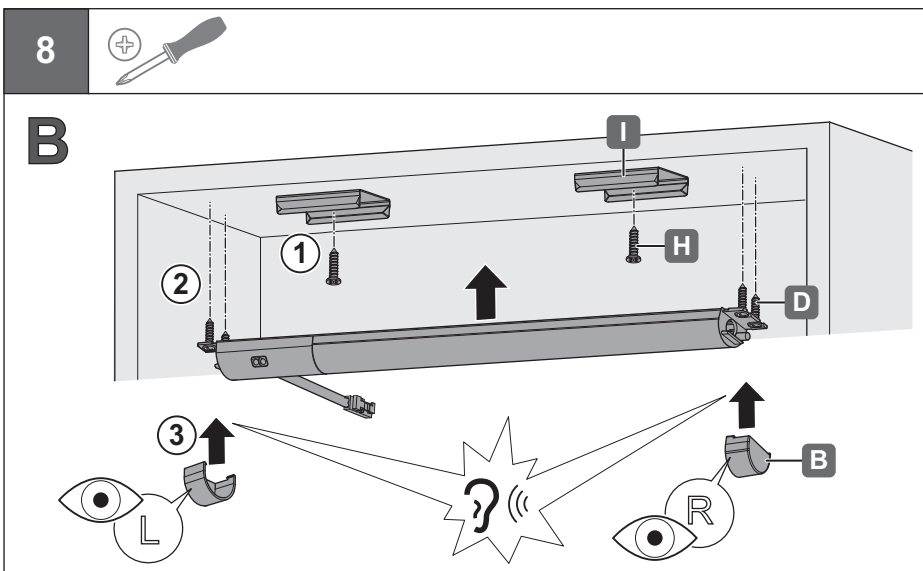
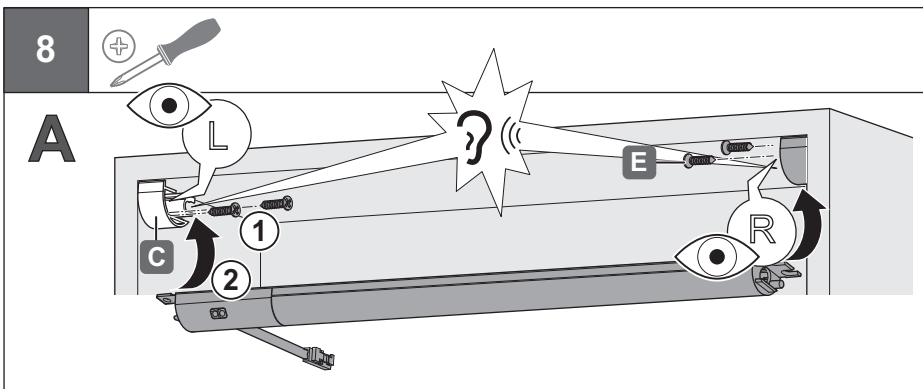


HDE 06/2015

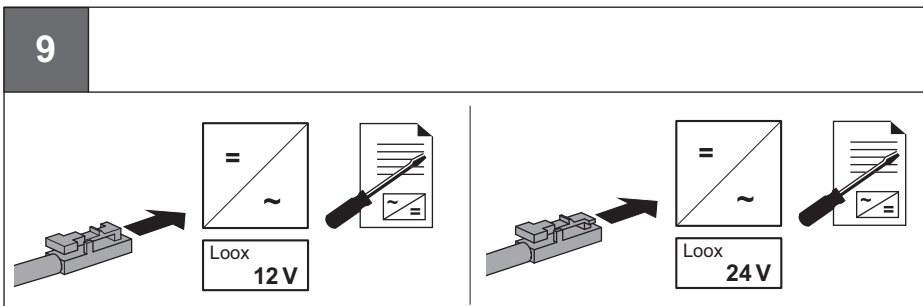


732.28.500

HDE 06/2015



732.28.500



HDE 06/2015