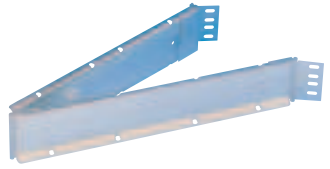


- Broad and narrow cable management arms
- Concertina open/close
- Suitable for 2U high units and above
- Easy disconnect from chassis



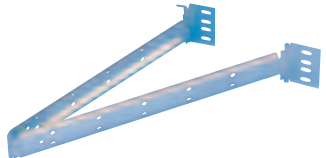
CC11AD

- Cable carrying widths: 72mm
- Weight per unit: 0.9kg
- Order code: DZCC11AD

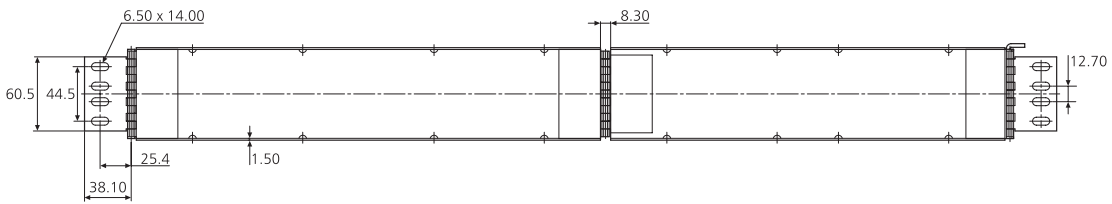
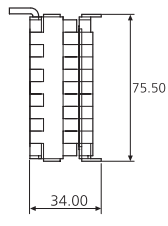
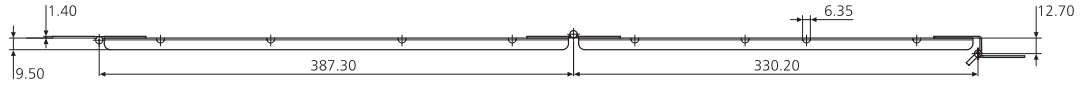


CC5AD

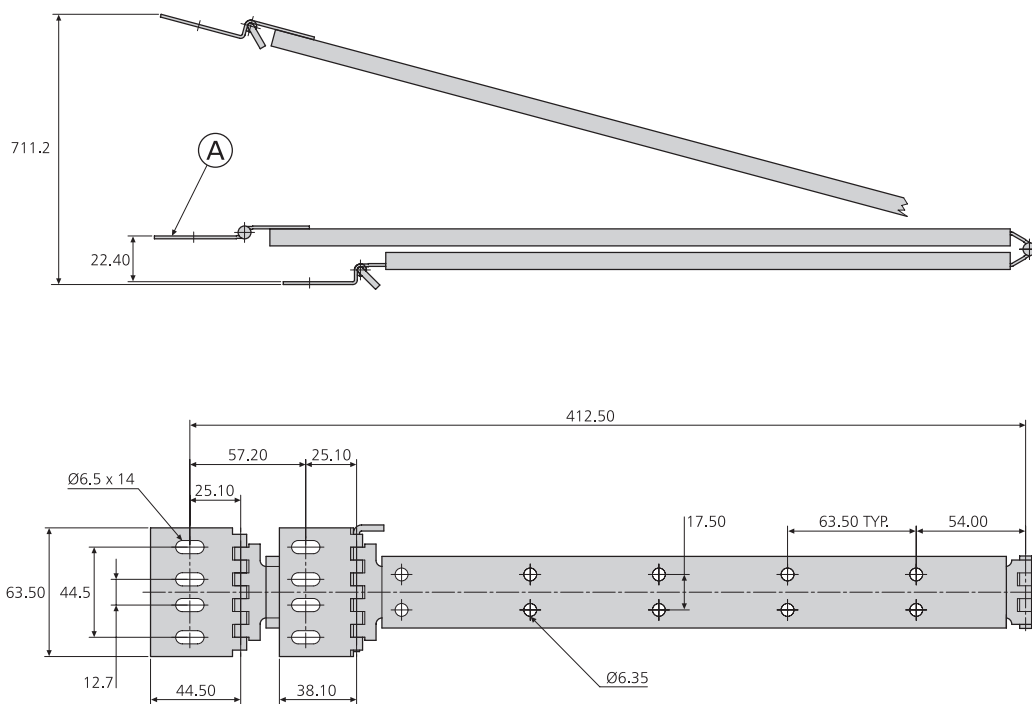
- Cable carrying widths: 31mm
- Weight per unit: 0.475kg
- Order code: DZCC5AD



CC11AD



CC5AD



Notes:

- Not suitable for slides over 700mm in length
- 2 fixing holes used on each end of bracket is recommended

A= Cabinet hinge

Notas:

- No apropiado para guías de más de 700 mm de longitud
- Se recomienda usar 2 orificios de montaje en cada extremo de la escuadra

A= Bisagra para armario

Note:

- Non adatto per guide di lunghezza superiore a 700mm
- Si consigliano 2 fori di fissaggio su ciascuna estremità della staffa

A= Cerniera armadietto