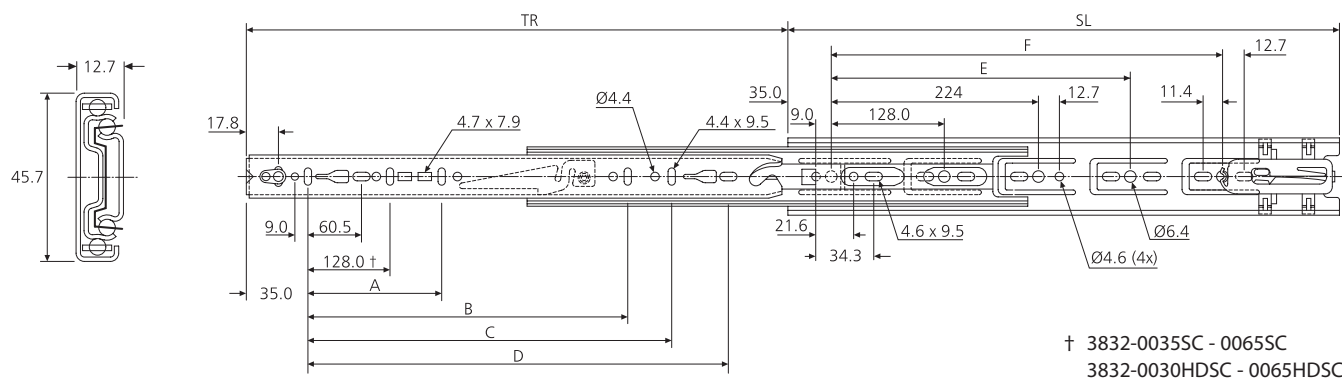
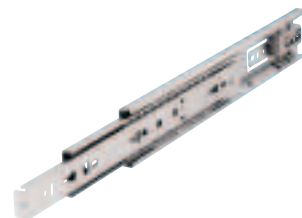


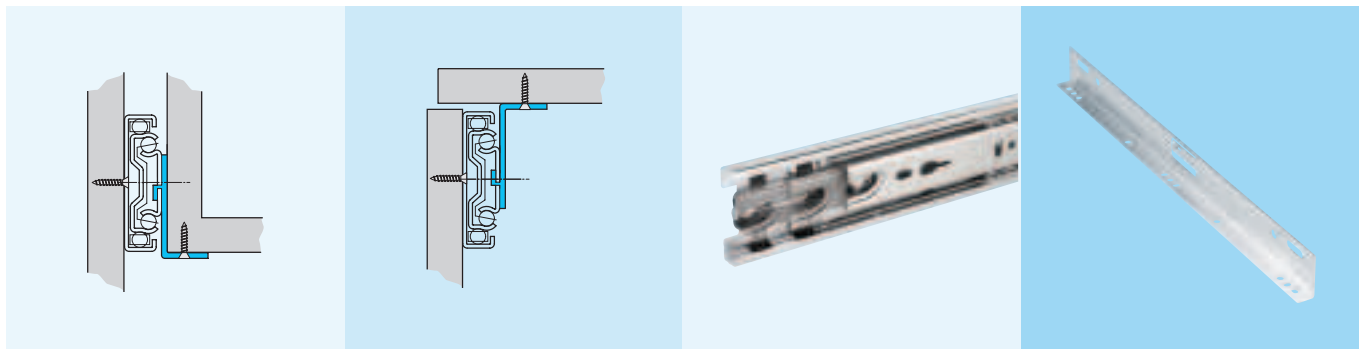
- Two self close options
- Closing/opening force -
SC: 1.4 - 2.7kg per slide
HDSC: 2.7 - 4.1kg per slide
- Load rating up to 45kg
- 100% extension
- 12.7mm slide thickness
(14mm with mounting bracket)
- Optional clip-on bracket for
bottom & platform mounting
- Front disconnect
- Hold-in
- Cam drawer adjust (3.1mm)



| 3832SC/ 3832HDSC | mm | | | | | | | |
|---------------------|-----|-----|-----|-----|-----|-----|-----|-----|
| | SL | TR | A | B | C | D | E | F |
| *3832-0030SC | 300 | 286 | - | - | - | 231 | - | - |
| DZ3832-0030HDSC | 300 | 286 | - | - | - | 231 | - | - |
| *3832-0035SC | 350 | 356 | - | - | - | 281 | - | - |
| DZ3832-0035HDSC | 350 | 356 | - | - | - | 281 | - | - |
| *3832-0040SC | 400 | 406 | - | - | - | 331 | 288 | - |
| DZ3832-0040HDSC | 400 | 406 | - | - | - | 331 | 288 | - |
| *3832-0045SC | 450 | 457 | - | 320 | - | 381 | 320 | - |
| DZ3832-0045HDSC | 450 | 457 | - | 320 | - | 381 | 320 | - |
| *3832-0050SC | 500 | 508 | - | - | - | 431 | 384 | - |
| DZ3832-0050HDSC | 500 | 508 | - | - | - | 431 | 384 | - |
| *3832-0055SC | 550 | 559 | - | 416 | - | 481 | 416 | - |
| DZ3832-0055HDSC | 550 | 559 | - | 416 | - | 481 | 416 | - |
| *3832-0060SC | 600 | 610 | 224 | 416 | - | 531 | 352 | 480 |
| DZ3832-0060HDSC | 600 | 610 | 224 | 416 | - | 531 | 352 | 480 |
| *3832-0065SC | 650 | 660 | 224 | 416 | 544 | 581 | 352 | 512 |
| DZ3832-0065HDSC | 650 | 660 | 224 | 416 | 544 | 581 | 352 | 512 |

* 3832SC only prefix DZ for bright zinc plate, DB for black zinc plate, DW for white electro-plate

3832SC/3832HDSC



Notes:

- Fixing recommendation: 4mm wood screw/ 6mm Euro screw
- For brackets refer to page 29
- Horizontal mounting not recommended

Notas:

- Recomendaciones de montaje: tornillo de madera de 4mm/tornillo euro de 6mm
- Para escuadras, consúltese la página 29
- Montaje horizontal no recomendado

Note:

- Consigli per il fissaggio: vite per legno da 4mm/ vite Euro da 6mm
- Per le staffe fare riferimento alla pagina 29
- Non si consiglia il montaggio orizzontale