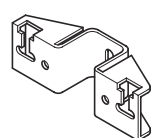
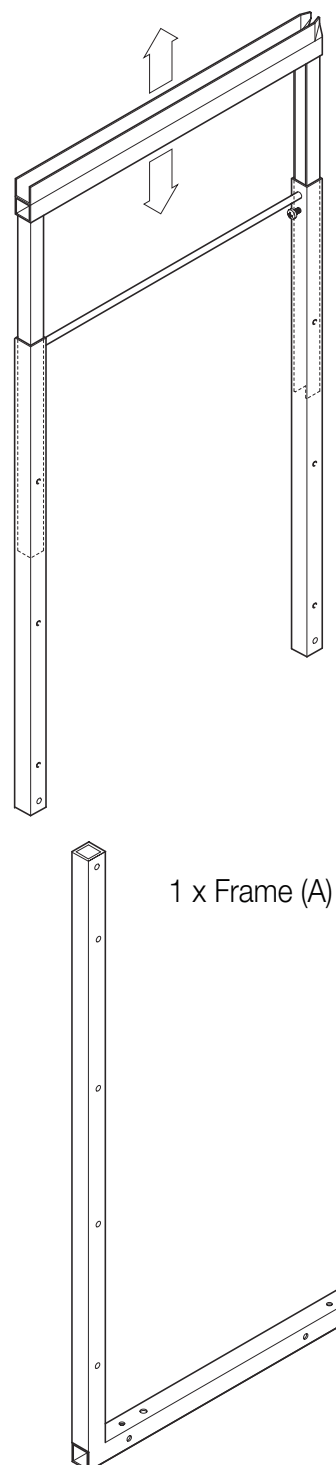


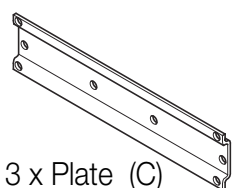
## Assembly guide Height adjustable pull out larder unit:

### Component parts

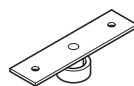
### Tools required (Not Supplied)



3 x Brackets (B)



3 x Plate (C)



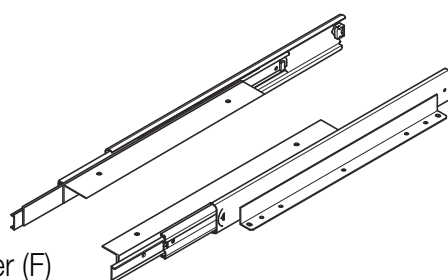
1 x Guide roller (D)



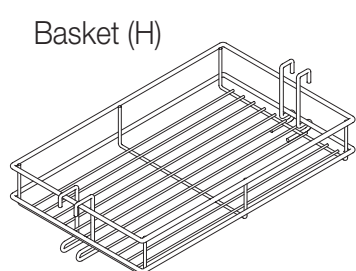
2 x Door connecting strips (E)



4 x Frame connectors (G)



1 x Runner (F)



Basket (H)

Installed height 950 - 1200 mm = 3 baskets  
 Installed height 1200 - 1450 mm = 4 baskets  
 Installed height 1450 - 1700 mm = 4 baskets  
 Installed height 1700 - 1950 mm = 5 baskets  
 Installed height 1950 - 2200 mm = 5 baskets

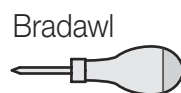
Spirit Level



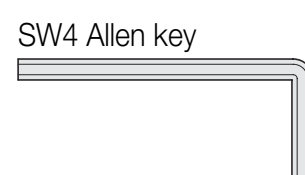
Cross Head Screwdriver



Tape measure



Bradawl



SW4 Allen key

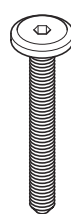


Pencil

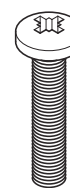
Did you know Häfele also supply tools to the trade and industry?  
 See [www.hafele.co.uk](http://www.hafele.co.uk) for more information.

- Make sure all the components are included before you start.
- The number for technical support is at the bottom of the page.
- Don't rush!
- Read the instructions first.
- Assemble in the stages shown.
- Keep the fittings together to avoid loss.
- Have fun.

2 x M6 x 50 mm Connecting bolt (I)



2 x M8 x 40 mm Round head bolt (J)



2 x M6 x 25 mm Round head bolt (K)



2 x M6 x 10 mm Round head bolt (L)



12 x M5 x 6.0 mm Round head bolt (M)



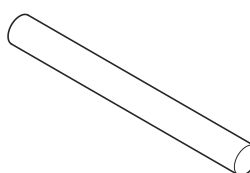
36 x M4 x 15 mm Pan head screw (N)



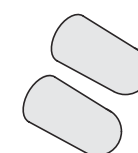
8 x M5 x 10.0 mm Flat head screw (O)



48 mm pins x 2 per basket (Q)

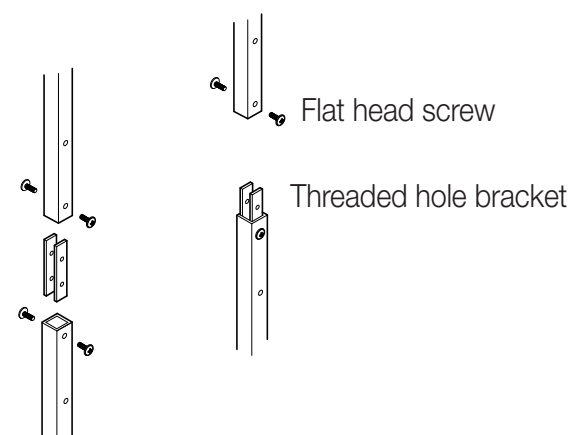


pin caps x 2 per pin (R)



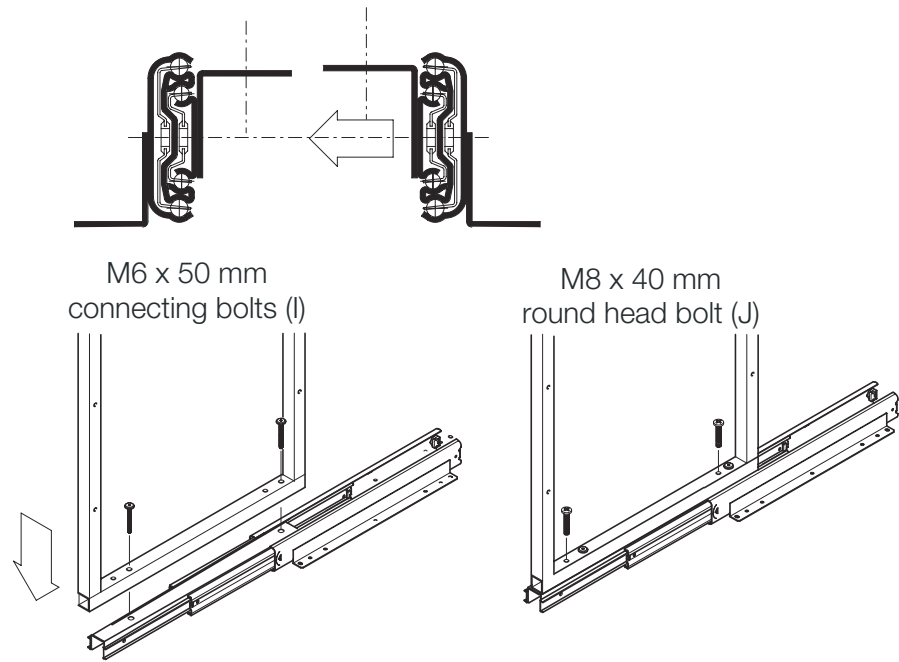
Check off components as shown in diagram and lay on flat surface

- 1 Working outside the carcass, secure the two part frame together by inserting one of the four connector strips into the bottom section of the frame and align the holes. **BE CAREFUL NOT TO LET THE CONNECTORS SLIP DOWN INSIDE THE MAIN FRAME!** Insert the one of the eight M5 x 10mm screws. Repeat this procedure for the other three frame connectors as shown in the drawing making sure the cut outs in the frame are on the same side top and bottom, Slide the top section of the frame over the secured connectors aligning the holes and secure using the remaining four M5 x 10mm screws. Make sure the screws are securely tightened before proceeding.

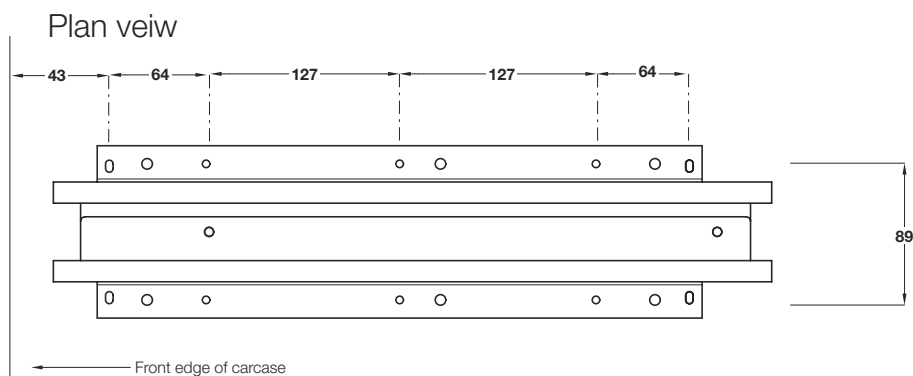
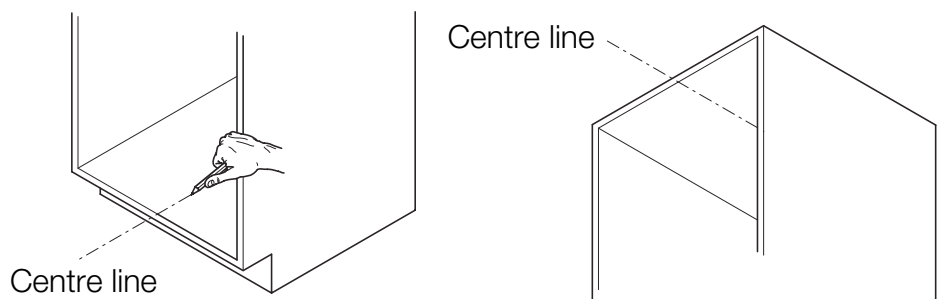


## Assembly guide Height adjustable pull out larder unit:

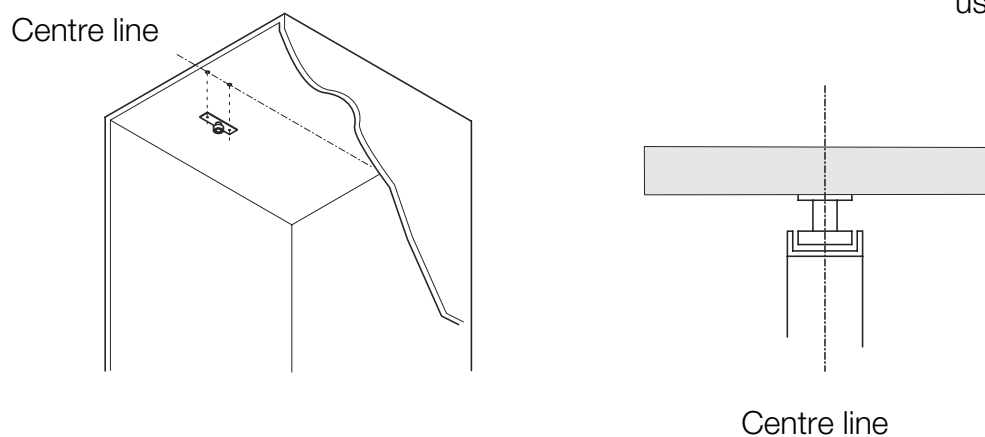
### Steps 2 to 6



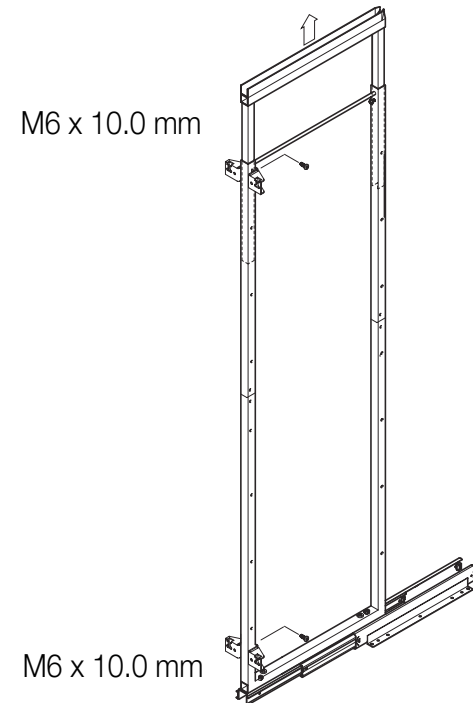
- 2** Then position left-hand and right-hand runner (F) together and then secure the frame (A) to the runner (F) using 2 x M6 x 50.0 mm (I) bolt. Make sure the front of the frame and front of runner line up. Insert 2 x M8 x 40.0 mm bolts (J) as shown, but do not tighten at this stage.



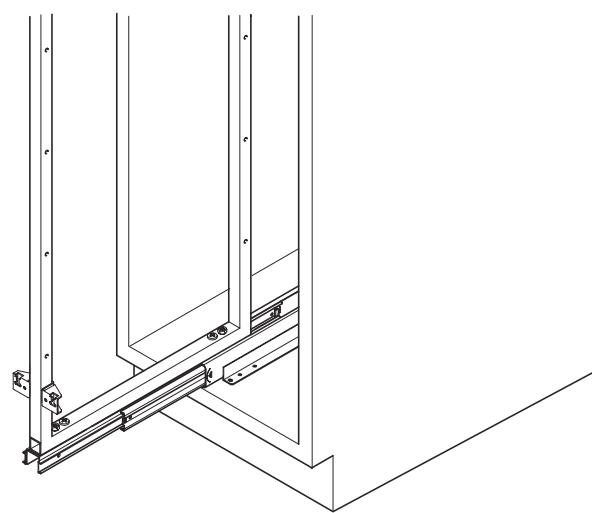
- 4** Draw a centre line on the top and bottom panel of the carcass. Mark positions of fixing holes required for the bottom runner.



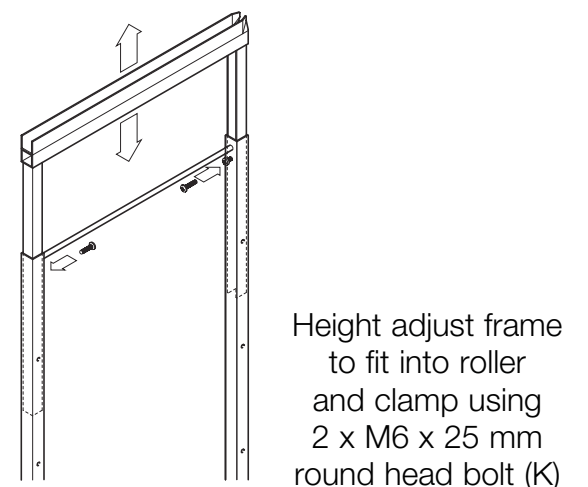
- 6** Position the roller (D) at the front of the cabinet and align with the centre line on the top panel and secure using 2 x M4 x 15.0 mm pan head screws (N).



- 3** Attach the top and bottom door panel hanging brackets (B) to frame (A) using 2 x M6 x 10.0 mm round head bolt (L).

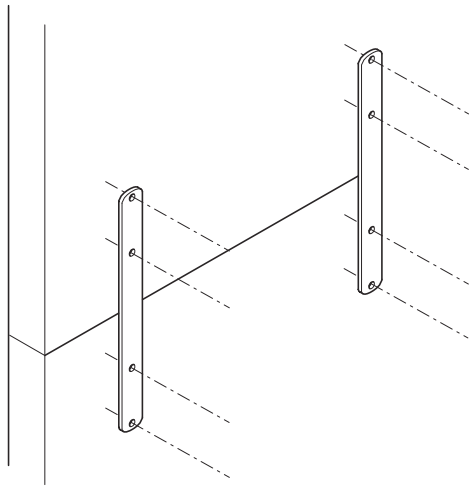


- 5** Align runner (F) with the centre line on bottom panel and 6 mm from front edge of the carcass. Use 10 x M4 x 15.0 mm pan head screws (N) to secure the runner. Using five holes on each side of the runner, use the 1st, 3rd, 4th, 6th, and 8th holes.

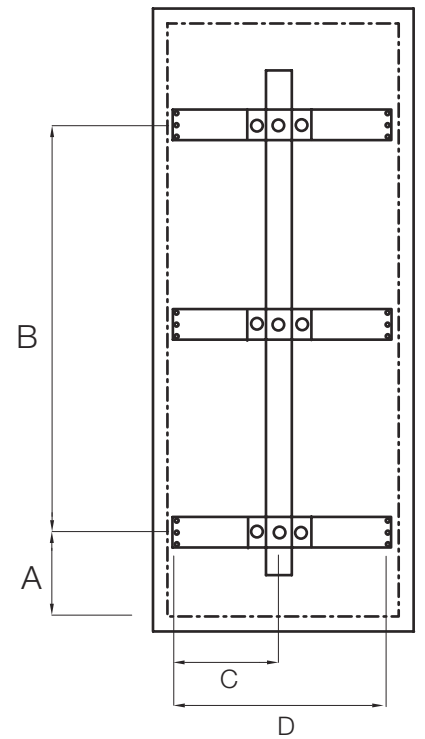


## Assembly guide Height adjustable pull out larder unit:

### Steps 7 to 10

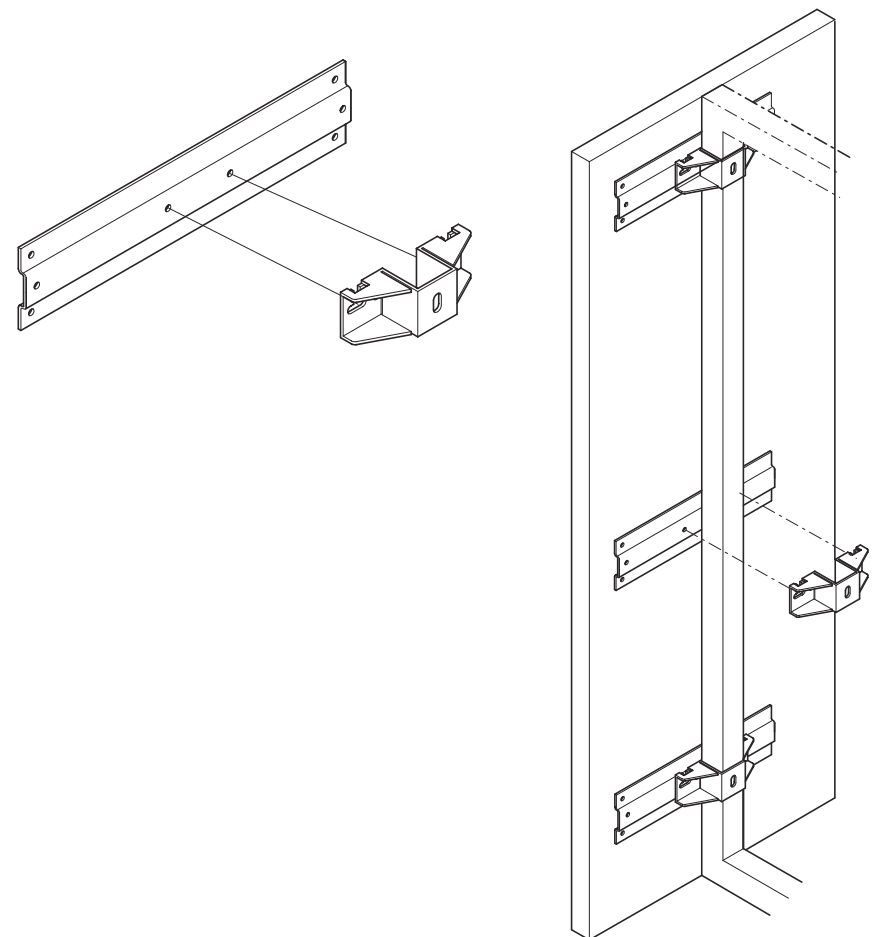
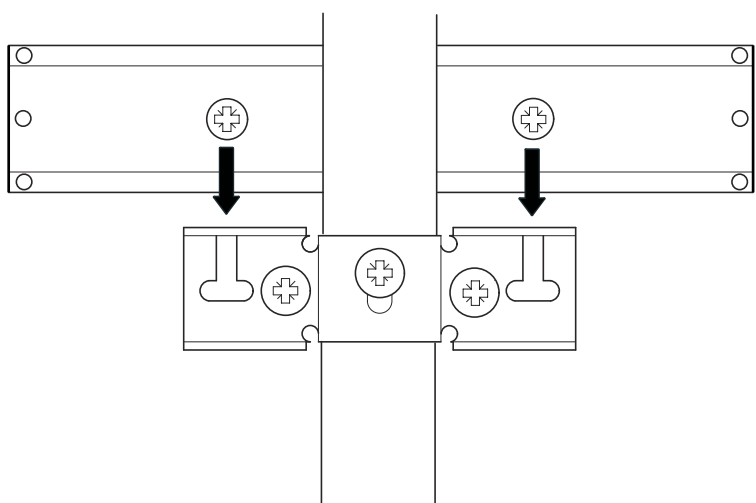


A = 286 mm + door overlay  
 Installed unit height 950 - 1200 mm, B = 400 mm  
 Installed unit height 1200 - 1450 mm, B = 624 mm  
 Installed unit height 1450 - 1700 mm, B = 1024 mm  
 Installed unit height 1700 - 1950 mm, B = 1175 mm  
 Installed unit height 1950 - 2200 mm, B = 1400 mm  
 C = 127.5 mm for a 300 mm carcass  
 177.5 mm for a 400 mm carcass  
 227.5 mm for a 500 mm carcass  
 277.5 mm for a 600 mm carcass  
 D = 239 mm for a 300 mm carcass  
 339 mm for a 400 mm carcass  
 439 mm for a 500 mm carcass  
 539 mm for a 600 mm carcass



- 7** If a false double door effect is to be used, then connect the two door panels using the 2 door panel connectors (E) and 8 x M4 x 15.0 mm pan head screws (N).

- 8** Attach the top and bottom door panel hanging plates (C) to the door panel using 4 x M4 x 15.0 mm pan head screws (N) per bracket. Use the measuring guide above to assist. Then attach the third door panel hanging plate close to the door handle positioned, again using 4 x M4 x 15.0 mm pan head screws (N).

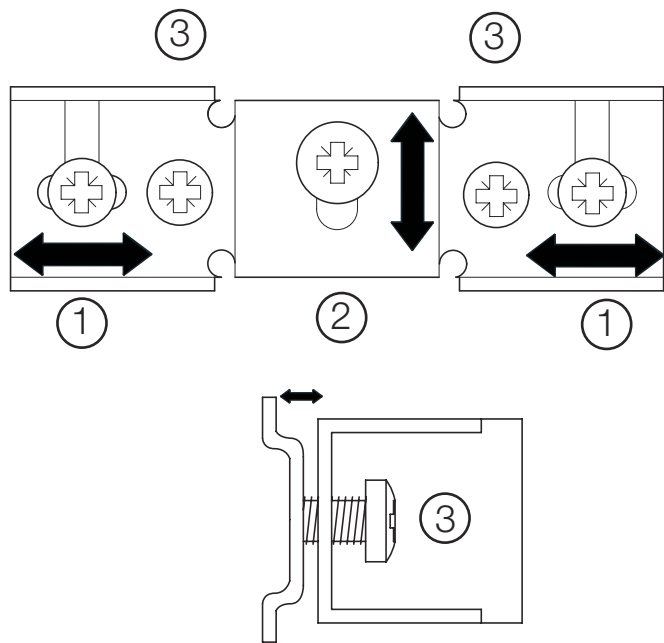


- 9** Insert loosely 2 x M5 x 6.0 mm raised head screws (M) into each of the door panel hanging plates (C), then locate these screws into the door panel hanging brackets (B) attached to the main frame (A). Then secure the 2 x M5 x 6.0 mm round head screws (M) on each of the door panel hanging plates (C).

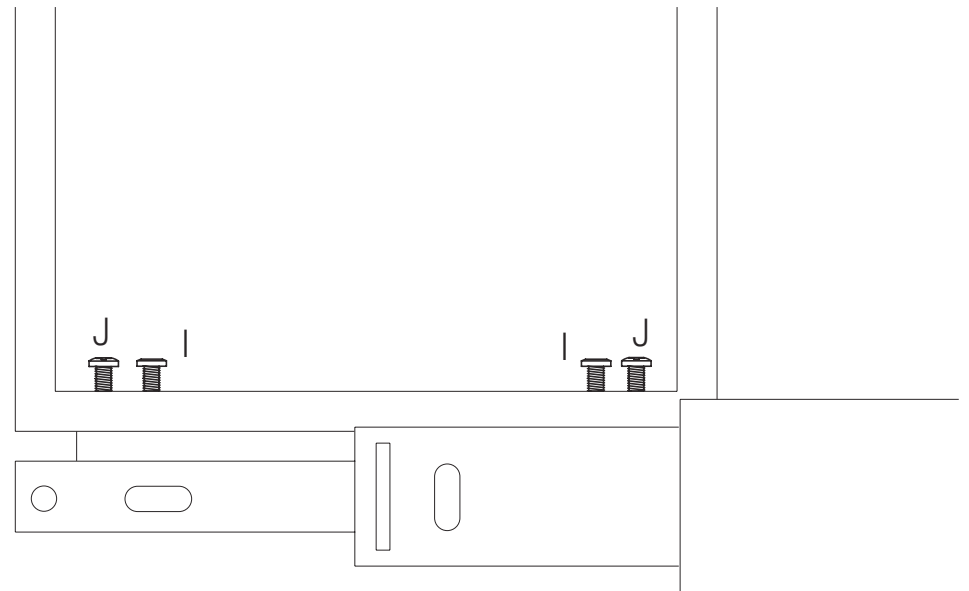
- 10** Attach the third door panel hanging bracket (B) around the frame onto the door panel hanging plate closely situated behind the door handle position to stop the centre of the door flexing, using 2 x M5 x 6.0 mm round head bolts (M).

## Assembly guide Height adjustable pull out larder unit:

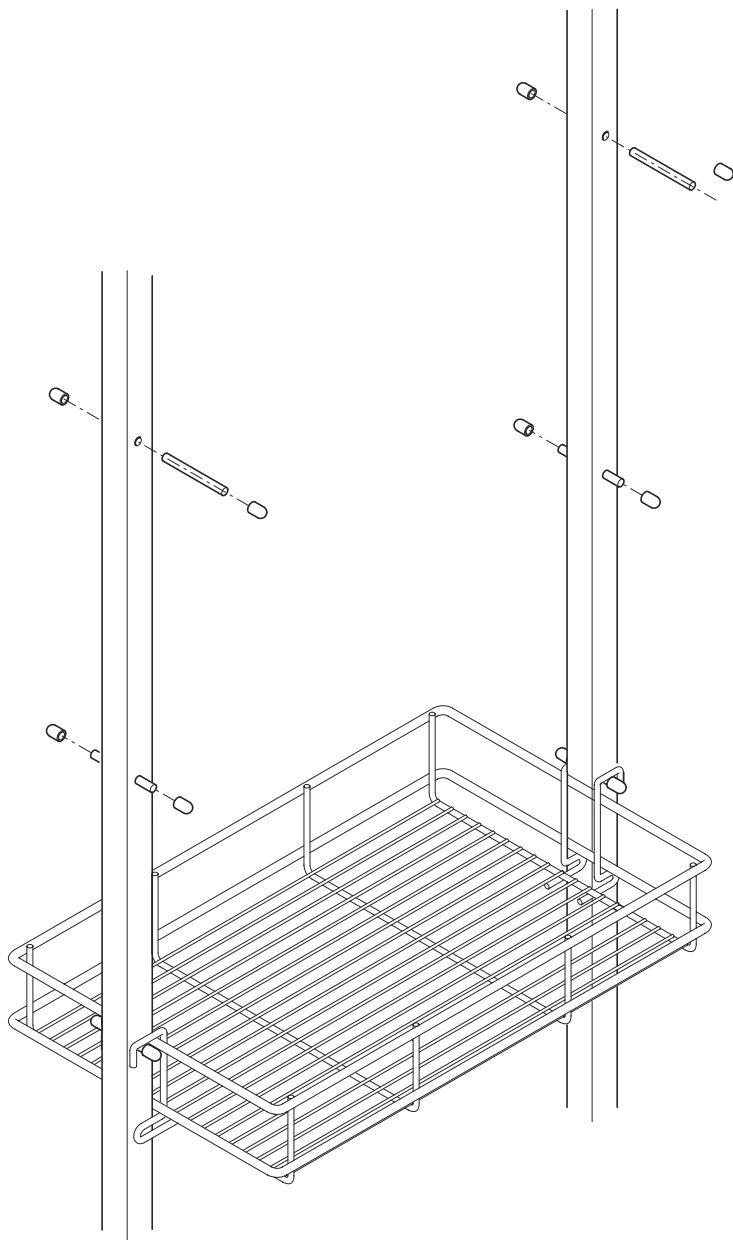
### Steps 11 to 14.



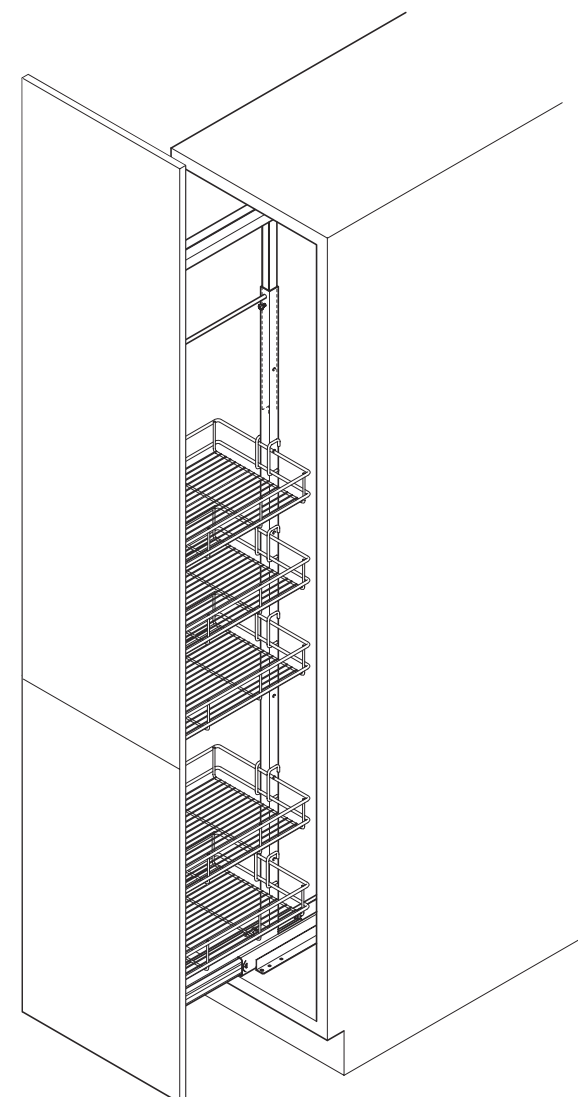
- 11** Adjustment of the door can be achieved by partially unscrewing, Screws 1 for horizontal adjustment, screw 2 for vertical adjustment, until the desired position is achieved. Screws 3 can then be loosened / tightened for in and out adjustment.



- 12** For vertical/tilt alignment of the door, loosen fixing bolts (I) and raise front or back of frame as necessary, using adjusting bolts (J). Then re-tighten fixing bolts (I).



- 13** Place the baskets (H) in the desired position on the frame using 2 x metal pins (Q) to hang the baskets (H). Then place 2 x end caps (R) on each end of the metal pins (Q) to lock them in place.



- 14** Finished unit with larder pull-out