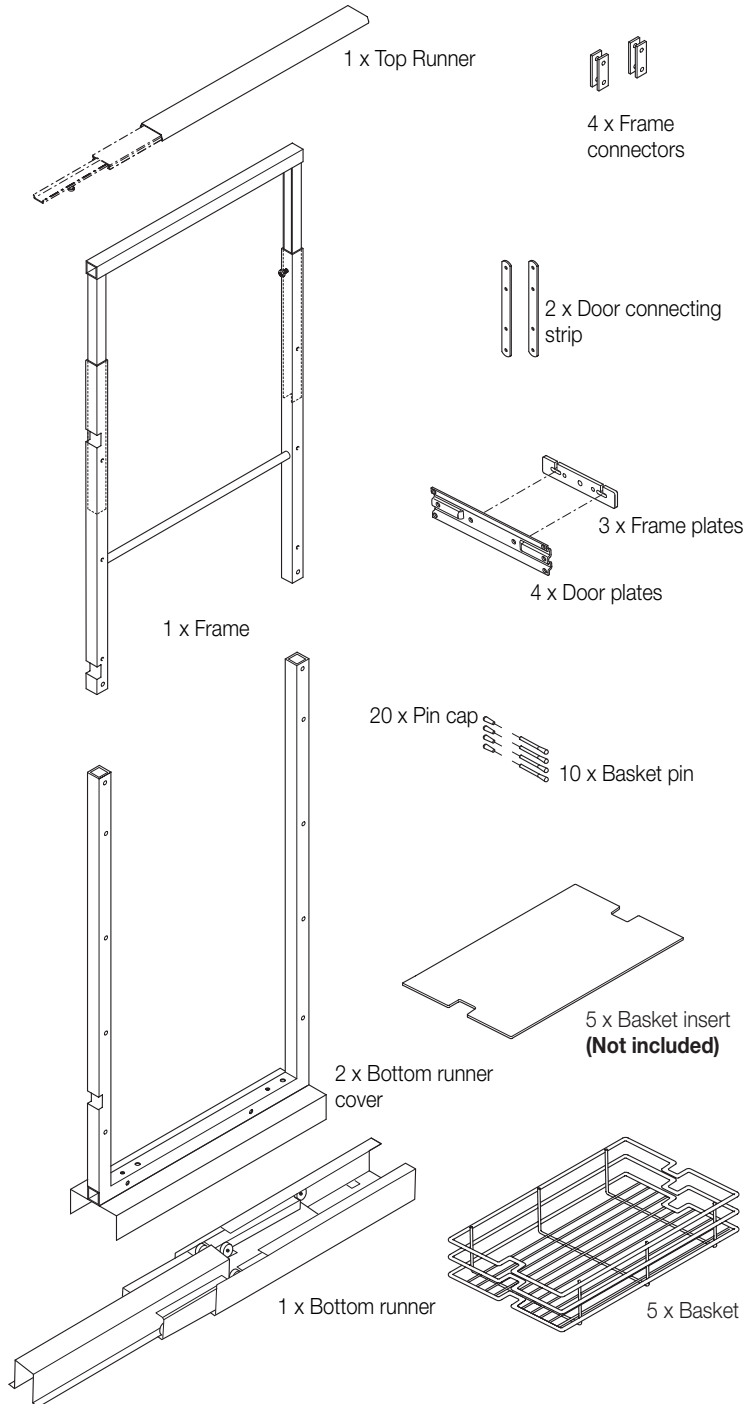


## Assembly guide

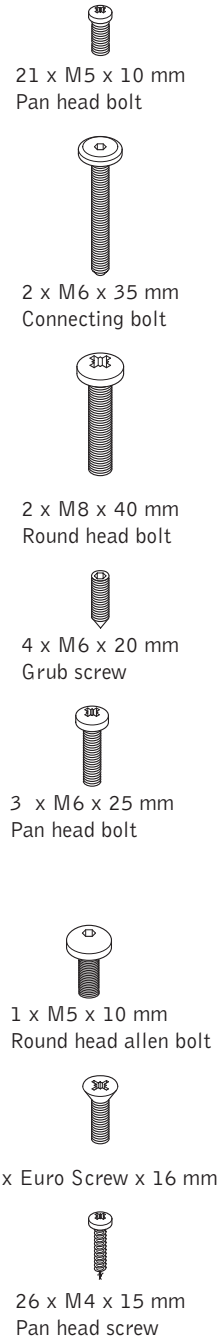
## Space Saver Larder (Soft Close Version)

GB 2457723 Patent Pending.

### Component parts

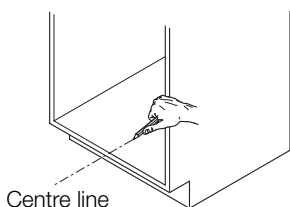
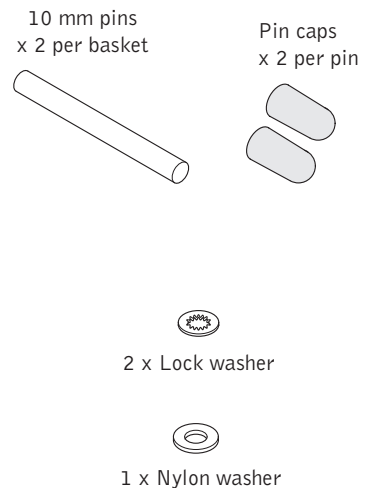
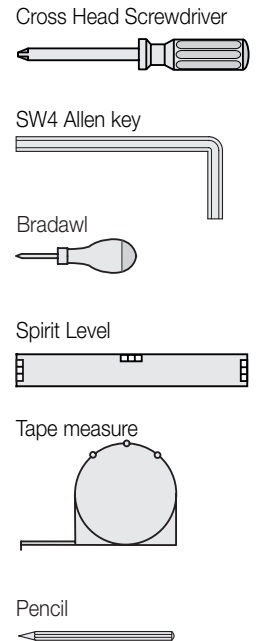


### Hardware

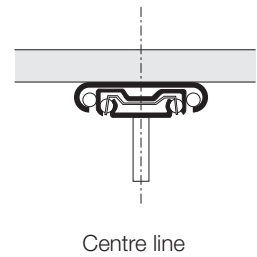
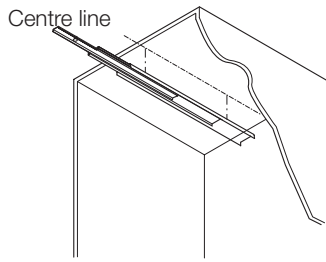
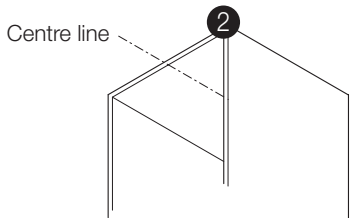


### Tools required

Did you know Häfele also supply tools to the trade and industry? See [www.hafele.co.uk](http://www.hafele.co.uk) for more information.

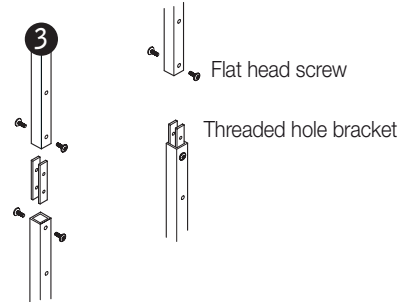


- 1 Draw a centre line on the top and bottom panel of the carcass, align runner with the centre line on bottom panel and 5 mm from the front edge of the carcass. Mark positions of the fixing holes required for the bottom of the runner. Pre-drill 6 holes, 5 mm diameter x 12 mm deep. Use 6 euro screws to secure the runner to the base of the cabinet.

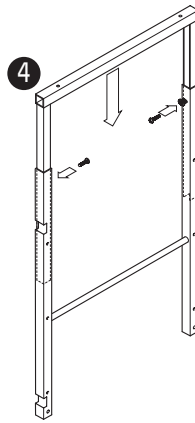


- 2 Repeat the same procedure in the top of the cabinet by finding and drawing the centre line. Position the top runner 5 mm from the front edge of the cabinet then align with the centre line on the top panel, pre drill 2 x 5 mm x 12 mm deep holes 40 mm and 265 mm from the front of the cabinet. Reposition the top runner 5 mm from the front edge of the cabinet and secure using 2 x Euro screws and 2 x M4 x 15.0 mm pan head screws using 2 adjacent holes located at the back of the slide.

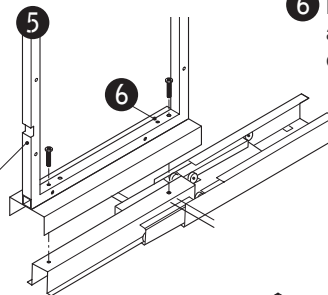
- 3 Working outside the carcass, secure the two part frame together by inserting one of the four connector strips into the bottom section of the frame and align the holes. BE CAREFUL NOT TO LET THE CONNECTORS SLIP DOWN INSIDE THE MAIN FRAME! Insert the one of the eight M5 x 10mm screws. Repeat this procedure for the other three frame connectors as shown in the drawing making sure the cut outs in the frame are on the same side top and bottom, Slide the top section of the frame over the secured connectors aligning the holes and secure using the remaining four M5 x 10mm screws. Make sure the screws are securely tightened before proceeding.



- 4 Insert the top adjustment frame into the top of the main frame and loosely secure using 4 x grub screws.

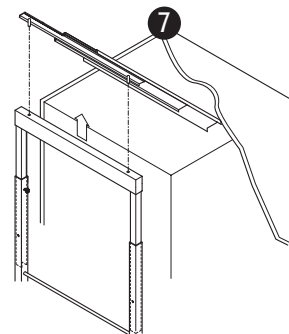


- 5 Slide out the bottom runner and fix to it the frame assembly using 2 x M6 x 35 mm bolts and lock washers. **(PLEASE ENSURE THAT THE CORRECT 35 mm BOLTS ARE USED)** Before you tighten the screws slide the runner covers between the frame and the runner. **PLEASE NOTE:** Ensure that the cut outs in the frame are door facing.

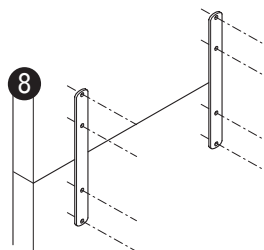


- 6 Loosely locate 2 x M8 x 40 mm bolts in the adjacent holes. These can be used once the door has been hung to gain tilt adjustment.

- 7 Centre the Height adjustable frame then adjust the frame to fit the metal locating tabs on the runner, into the holes in the top section of the frame. Then secure the height by clamping the 2 x M6 x 25 mm round head bolts.



- 8 If a false double door effect is to be used, then connect the two door panels using the 2 door panel connectors and 8 x M4 x 15.0 mm pan head screws.



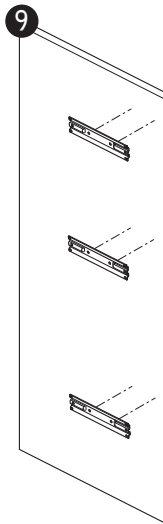
- 9 Fix 3 door plates (**The door plate with the central hole is used later**) to the door panel using 4 x M4 x 15 mm self tapping screws for each plate.

**FRAME HEIGHT 1750 mm - 1950 mm**

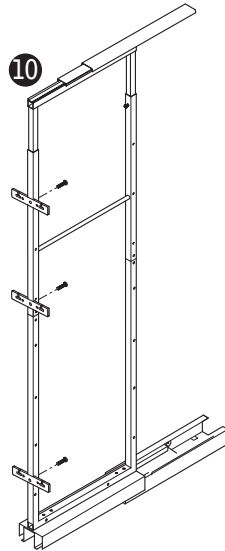
As a guide these should be fixed 316 mm, 957 mm and 1361 mm from the bottom of the door to the centre of each door plate. Then loosely insert 2 x M5 x 10 mm screws into each of the door plates.

**FRAME HEIGHT 1950 mm - 2250 mm**

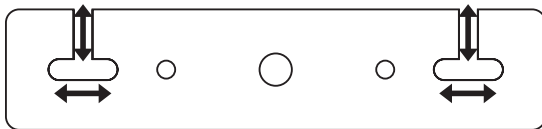
As a guide these should be fixed 316 mm, 957 mm and 1561 mm from the bottom of the door to the centre of each door plate. Then loosely insert 2 x M5 x 10 mm screws into each of the door plates.



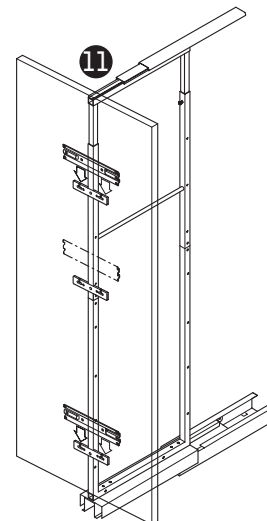
- 10 Fix the 3 frame strips to the cut outs on the frame using M6 x 25 mm bolts.



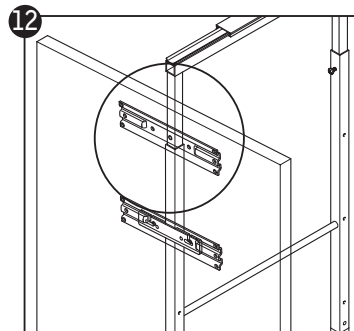
- 11 Hook the door onto the frame strips and tighten the screws to secure the frame strips to the door plates. Loosely fit 2 more M5 x 10 mm screws into the remaining holes in the frame strips, these can be used for adjustment.



Horizontal/Vertical and in - out adjustment of the door can now be achieved by unscrewing or tightening the adjustment screws located on the frame strip.



- 12 Take the remaining door plate with the central hole and secure to the top adjuster frame using 1 x M5 x 10 mm Allen bolt with the nylon spacer located between the frame and door. The plate should then be fixed to the door using 4 x M4 x 15 mm self tapping screws.



- 13 Finally insert the basket pins through the desired holes in the frame then secure using the pin caps. The baskets should be fit so that the bottom bar of the basket rests on the basket pins.

