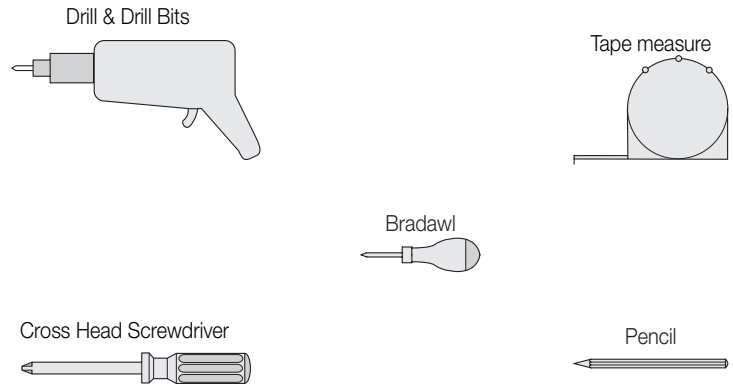
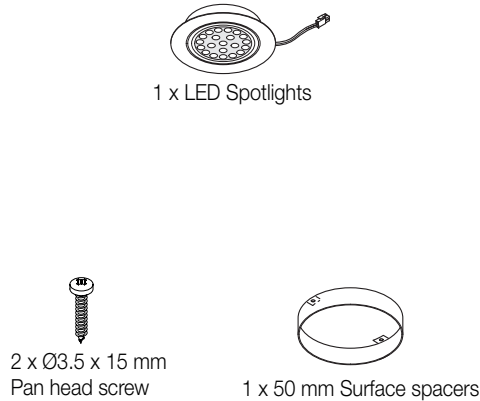


Assembly guide LED Spotlight (Recess or Surface mounted)

Component parts

Tools required (Not Supplied)



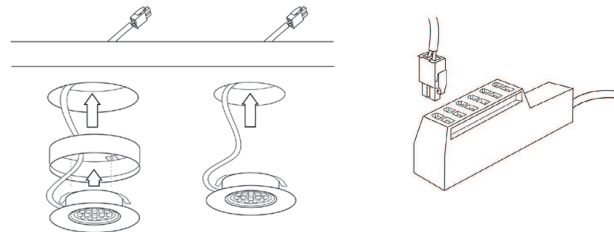
Before you start... Check the pack and make sure all the components are included – if not call the Helpline on 01788 548800 and our team will get things sorted. When you are ready to start make sure you have the right tools to hand, plenty of space and a clean dry area for building. Don't rush, read the instructions first and run through the sequence before you begin. Assembly should be done in the stages shown in the following diagrams, keeping fittings together to avoid loss. Do not over tighten screws.

Important Safety Information

Please read these instructions carefully before attempting to install this product. It is advisable to keep these instructions in a safe place for further reference. **We recommend that you consult a qualified electrician. All electrical installations must be carried out in accordance with current IEE Wiring regulations (BS 7671).** These products must not be modified, if any modifications are made, it may invalidate the warranty and may render the product unsafe. These LED lights operate at low voltage (12 V). **Do not wire the individual LED light fittings directly into the mains. This product is for indoor use only. Keep out of moisture and use only in dry rooms.**

Safety Instructions

1. Before commencing installation or maintenance, isolate the main electrical supply for the appropriate circuit at the fuse board.
2. This product is only suitable for connecting to a DC12 V constant LED driver.
The light should be mounted onto a secure surface. Position lights where they will not be exposed to steam, splashes ect.
3. Never exceed the total output of the LED driver (Max 15 W).
4. Suitable for furniture lighting.
5. When the lamp expires the fitting must be replaced.
6. Class III safety extra low voltage (SELV).
7. 2 W per fitting. Maximum load of transformer 15 W.



15 W LED DRIVER (NOT INCLUDED)

The electronic LED driver AED15-1LSV is exclusively designed for the Light Emitting Diode (LED) lamps used in indoors. The electronic driver is a switch mode power supplier with 12 V DC constant output voltage.

An electronic protection circuit switches off the electronic driver in case of a short circuit or overload in the secondary circuit, overheat as well as open the circuit. This driver is a thermally protected device; the type of protection is automatic resetting type. After the removing of the faults, the electronic LED converter is ready for operation again.

Important information for the installation

The unit conforms to the directive 2004/108/EC for the electromagnetic compatibility and the low voltage directive 73/23/EEC.

1. The electronic driver can only be used with the LED lamps.
2. The electronic driver is only suitable for used indoors. Protect the electronic driver against excessive heat (permissible operating temperature range -20 to +40°C).
3. Connect the LED lamps to the electronic LED driver with correct polarity according to the above drawing.

If the electronic LED driver is used for purposes other than originally intended or it is connected in the wrong way, no liability can be taken over for possible damages.

SPECIFICATION:

Input Voltage	220-240 V~50 Hz
Output Voltage	12 V DC +/- 0.5 V
Output Current	1.25 A
Rated Power	15 W

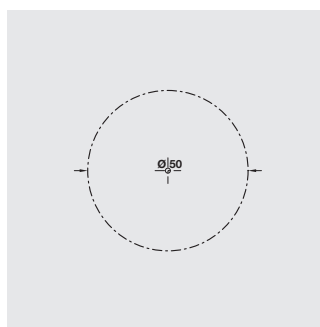
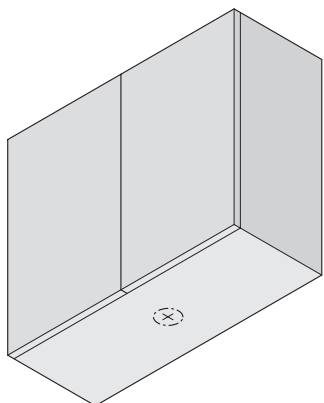


Waste Electrical and Electronic Equipment (WEEE)

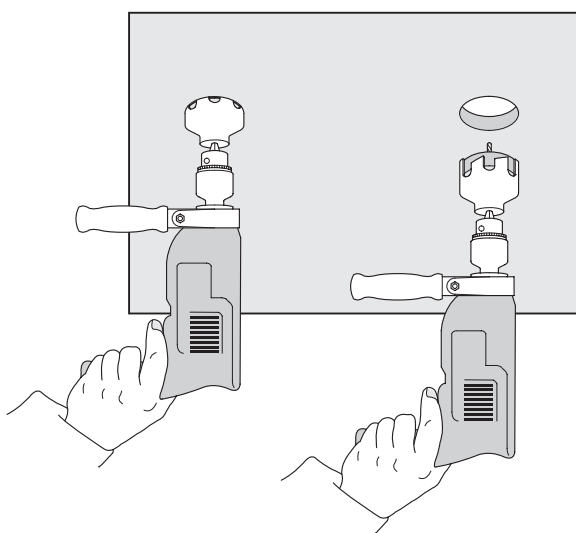
All packaging materials and fittings should be discarded appropriately according to the European directive 2002/96/EC on WEEE. By ensuring this product is disposed correctly, you will be helping prevent potential negative consequences for the environment and human health.

The Symbol on the product, or on the document accompanying the product, the crossed out wheeled bin symbol, indicates that this product may not be treated as household waste. Instead it shall be handed over to the applicable collection point for the recycling of electrical and electronic waste.

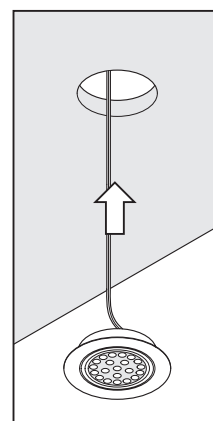
For recess mounting



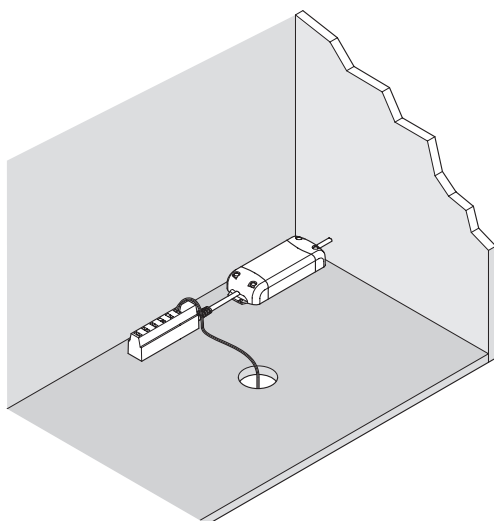
- 1 Using a pencil, measuring tape and bradawl mark out on the underside of the unit where the spotlight is to be positioned.



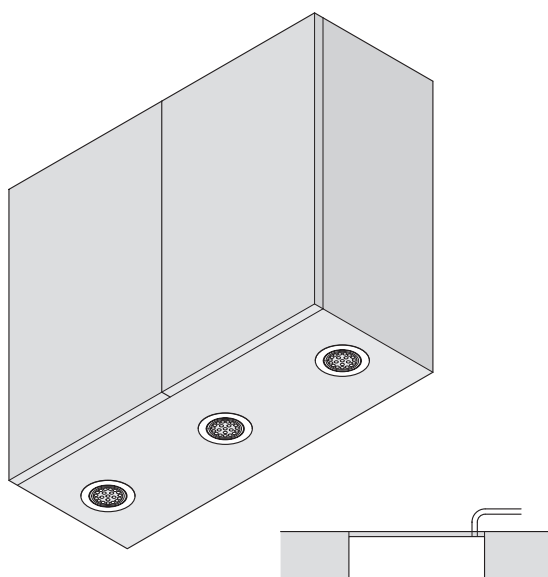
- 2 Using a Ø50 mm hole saw, drill a hole in the desired position.



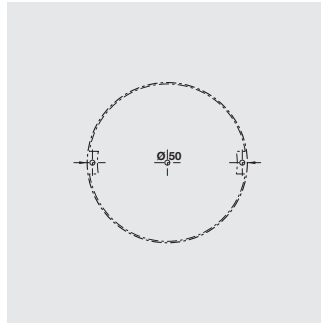
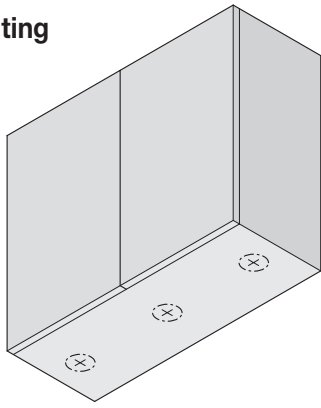
- 3 Thread the wire for the spotlight through the hole on the underside of the cabinet, then fit the spotlight making sure it is flush with the cabinet.



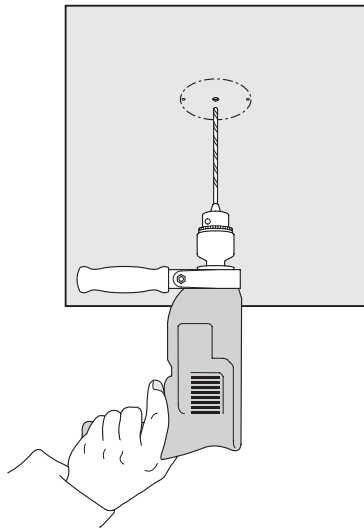
- 4 Connect the spotlight to the distributor.



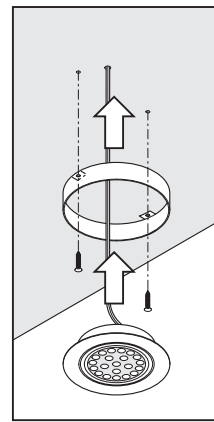
For surface mounting



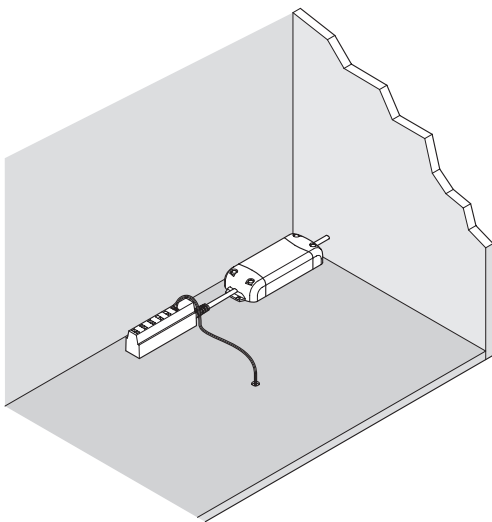
- 1 Using a pencil, measuring tape and bradawl mark out on the underside of the unit where the spotlights are to be positioned.



- 2 Drill a hole using a 8 mm drill bit this will enable you to connect the spotlight to the distributor.



- 3 Feed the spotlight wire through the hole on the underside of the surface spacer and then through the hole on the underside of the cabinet, fix the housing with the 2 x Ø3.5 x 15 mm pan head screws provided, then clip the spotlight into the housing.



- 4 Connect the spotlight to the distributor.

