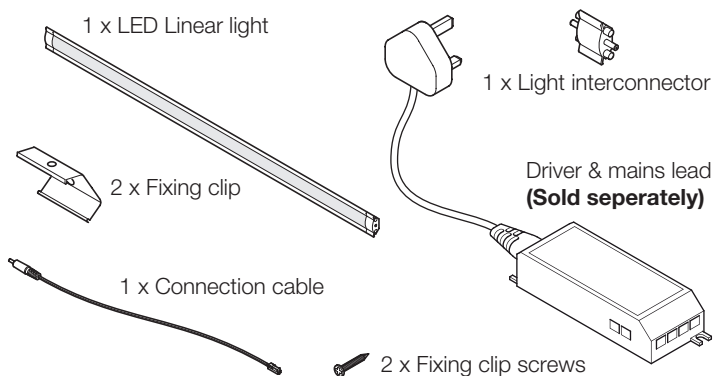
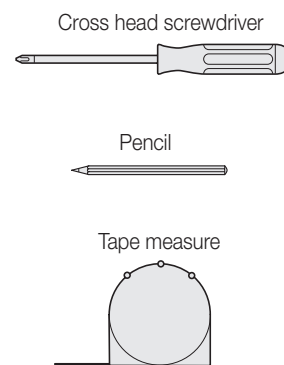




Component parts



Tools required (Not Supplied)



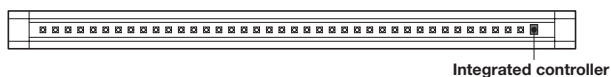
Before you start...

Check the pack and make sure all the components are included – if not call the Helpline on 01788 548800 and our team will get things sorted. When you are ready to start make sure you have the right tools to hand, plenty of space and a clean dry area for building. Don't rush, read the instructions first and run through the sequence before you begin. Assembly should be done in the stages shown in the following diagrams, keeping fittings together to avoid loss. Do not over tighten screws.

PLEASE READ BEFORE FITTING YOUR NEW LED LINEAR LIGHT UNIT:

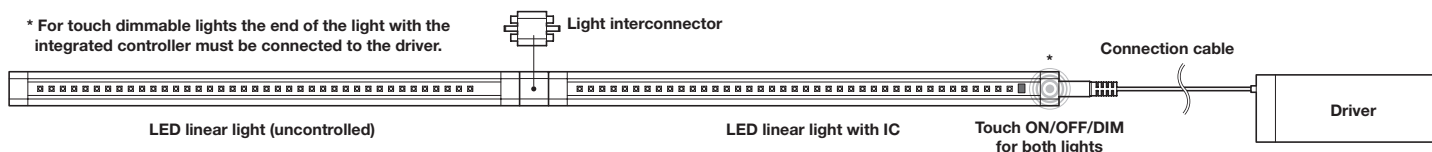
- This item is for indoor use only - IP20 rated.
- Voltage: 12V DC.
- Operating temperature: -20°C - 45°C.
- Do not install Touch Dimmable (TD) function lights onto a metal surface.
- When daisy-chaining light units together, the total length should not exceed 2m.
- When connecting the lights to the driver, do not exceed the maximum recommended wattage for the driver unit.
- For touch dimmable lights, the end of the light with the integrated controller must be connected to the driver.

LED linear light with integrated 3 stage dimming controller



The LED linear light with integrated controller allows the light to be switched on/off or dimmed, independently from the driver. When the linear light with IC is being used in a daisy chain it must be the first light in the chain connected to the driver, this allows the chain to be turned on/off and dimmed from the light with the IC function see below.

* For touch dimmable lights the end of the light with the integrated controller must be connected to the driver.



Waste Electrical and Electronic Equipment (WEEE)

All packaging materials and fittings should be discarded appropriately according to the European directive 2002/96/EC on WEEE. By ensuring this product is disposed correctly, you will be helping prevent potential negative consequences for the environment and human health.

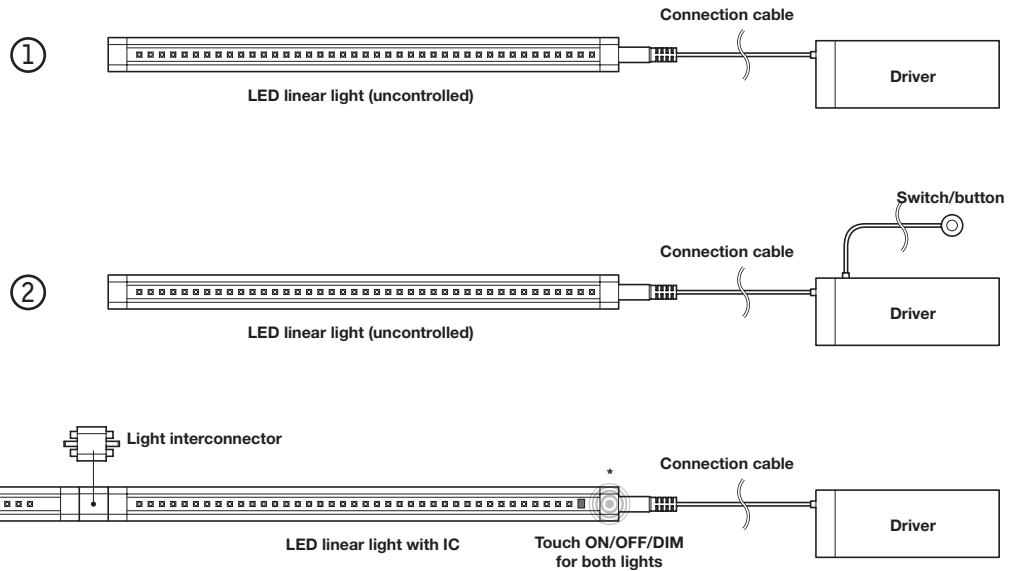
The Symbol on the product, or on the document accompanying the product, the crossed out wheeled bin symbol, indicates that this product may not be treated as household waste. Instead it shall be handed over to the applicable collection point for the recycling of electrical and electronic waste.



LED linear light (uncontrolled)

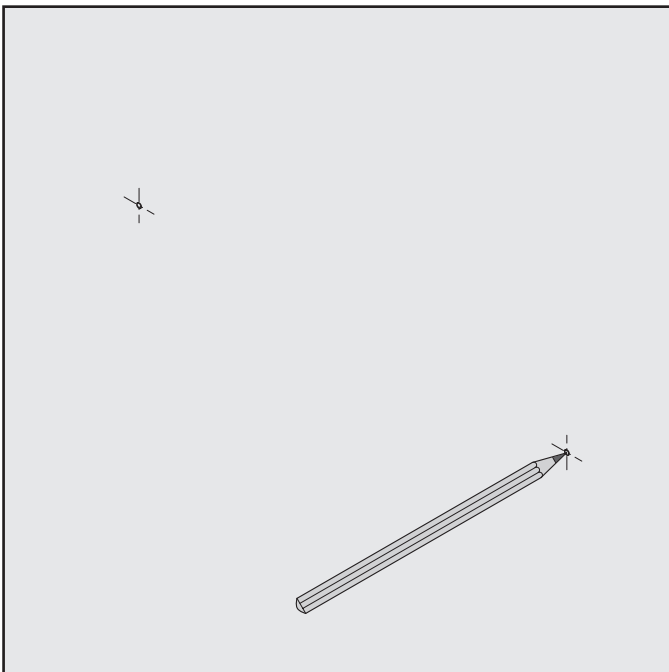


The LED linear light (uncontrolled) can be used as a stand alone light when connected to the driver (1). It can also be used with the driver in conjunction with a suitable switch (2). The uncontrolled light can also be used in conjunction with a light with integrated controller in a daisy chain arrangement (3).

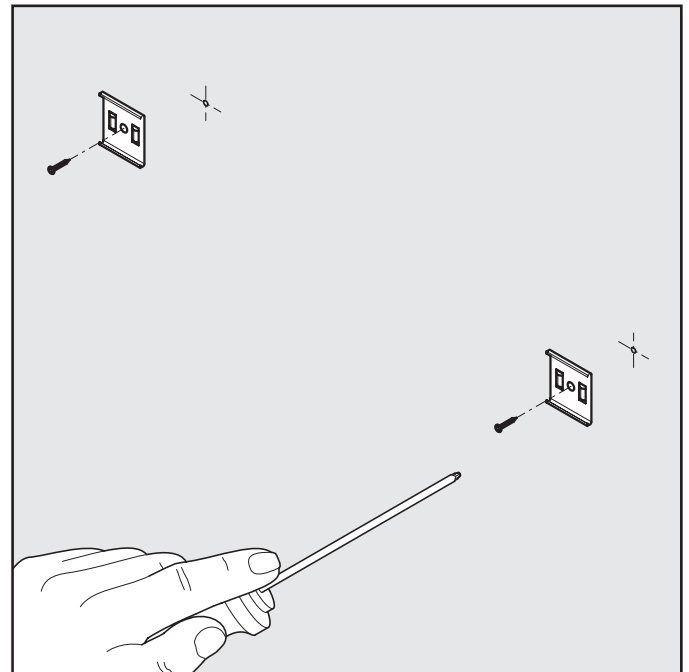


* For touch dimmable lights, the end of the light with the integrated controller must be connected to the driver.

Installing your LED linear light.

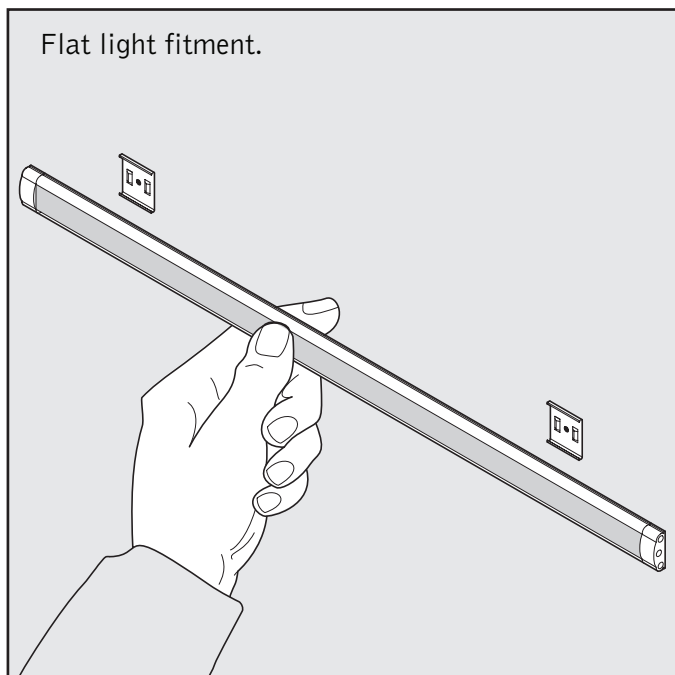


① Using a tape measure and pencil mark the fixing position for the fixing clips.

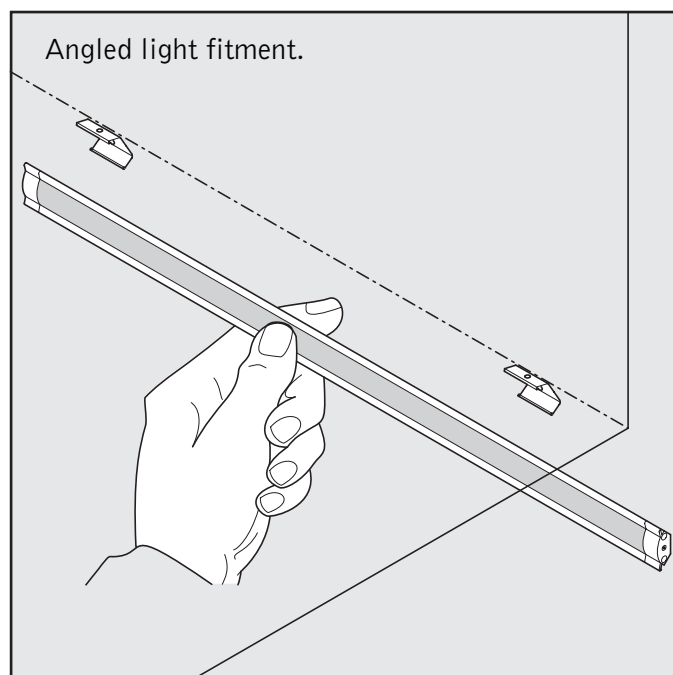


② Secure the fixing clips using the provided 2 x countersunk screws.

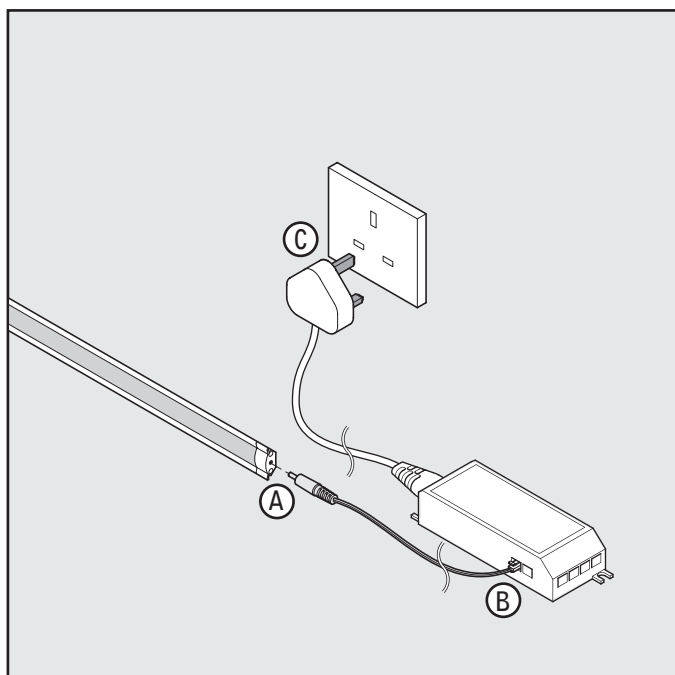
Installing your LED linear light.



- 3 Clip the light into place as shown above.

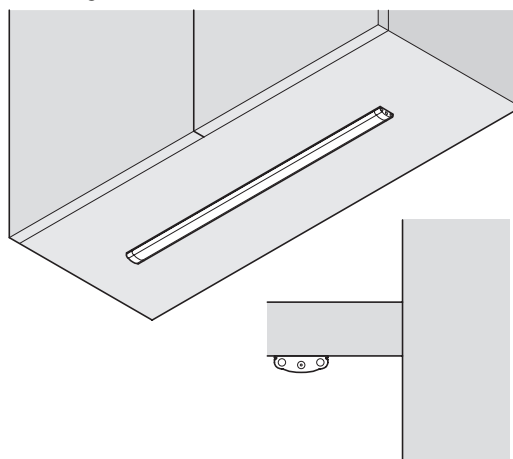


- 4 Clip the light into place as shown above.



- 5 Connect the supplied connection cable to the light (A).
Connect the connection cable to the driver (B).
Plug the driver into the mains power supply (C).

Flat light fitment.



Angled light fitment.

