

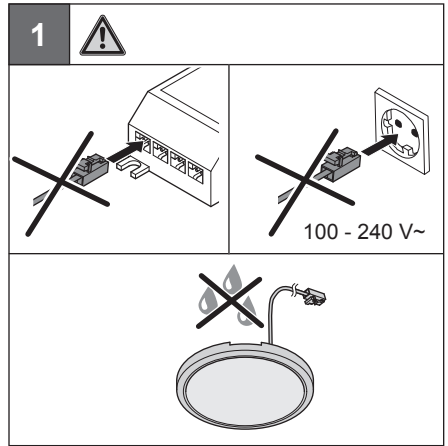
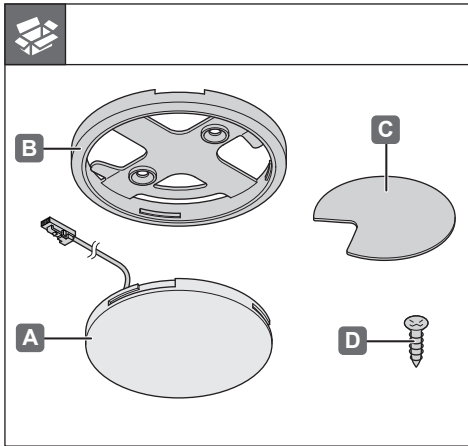


LED 2002

833.73.200
833.73.210
833.73.220

12 V System	K	W	T _A	mm	mm	
833.73.200	5000 K	1.5 W	-20 °C – +35 °C -4 °F – +95 °F	Ø 58 x 6	≥ 68 x 16	833.74.900 833.74.901
833.73.210	3200 K					
833.73.220	Blue					

Maße in mm – Dimensions in mm – Medidas en mm



HDE 14/12/2010

732.28.212

