

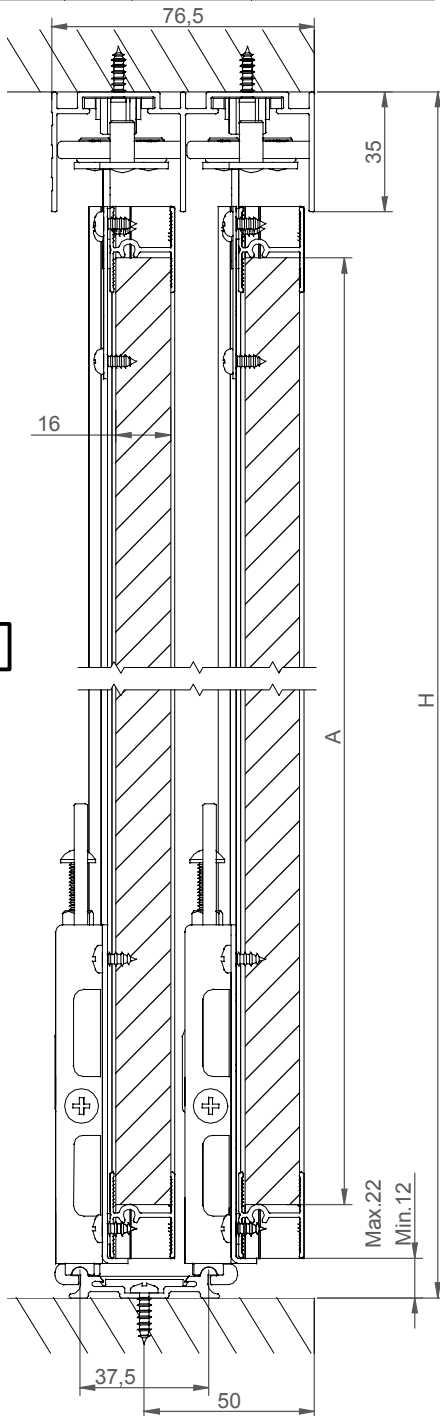
HÄFELE

SLIDO ROBE 45



May-12

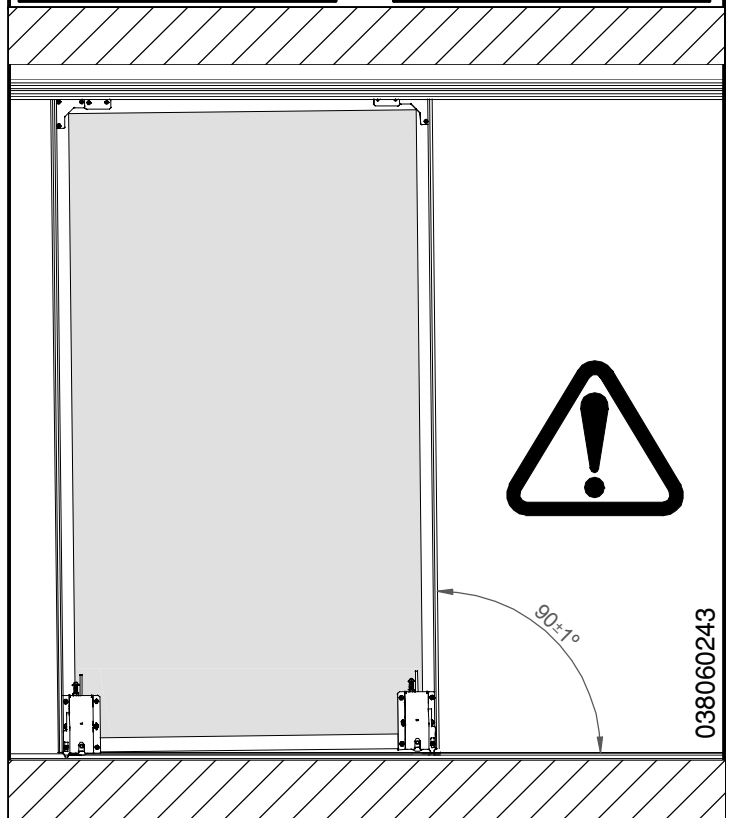
PROFILE FOR 16mm THICK PANELS



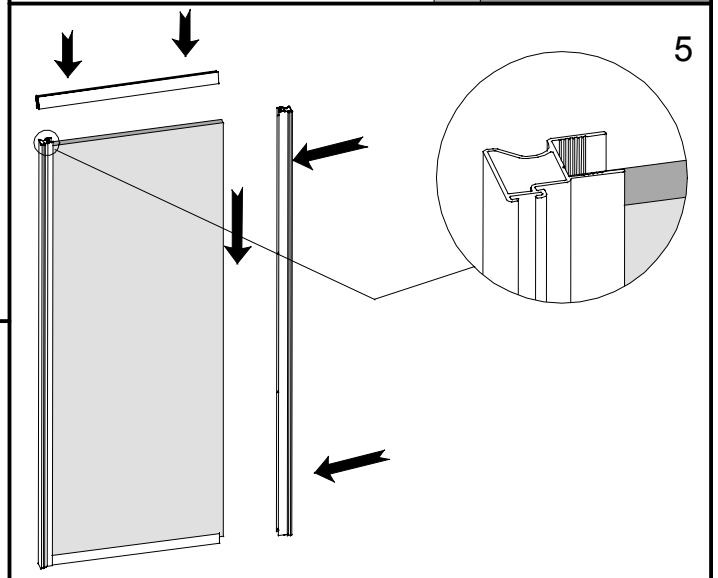
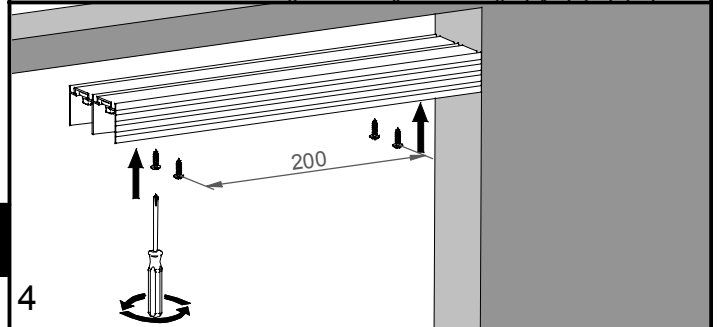
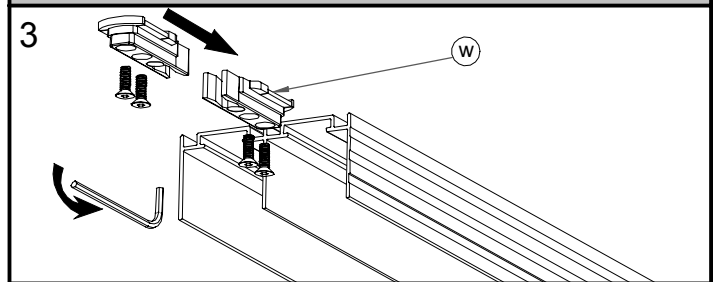
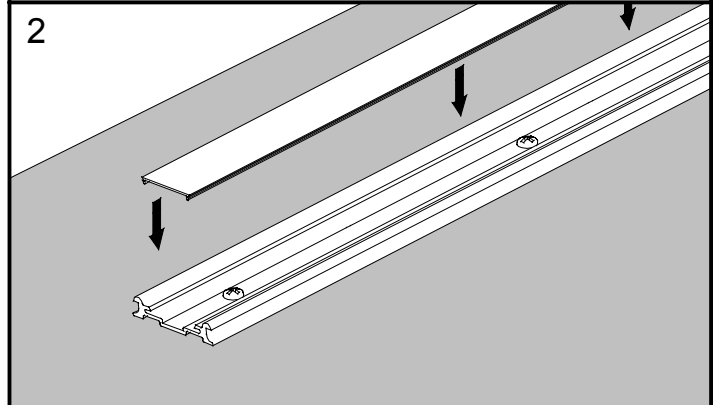
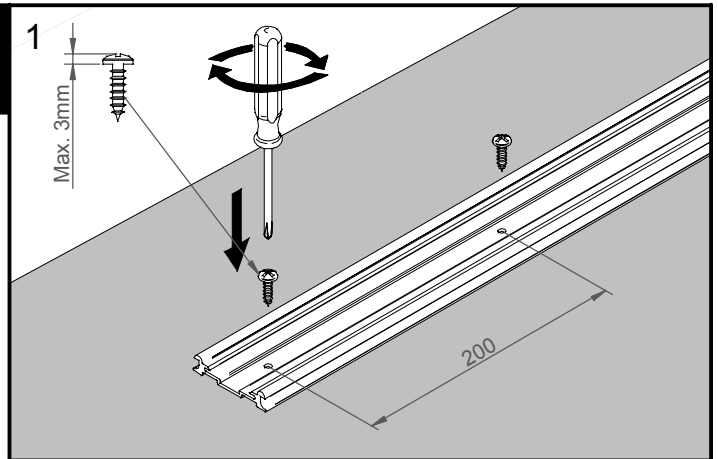
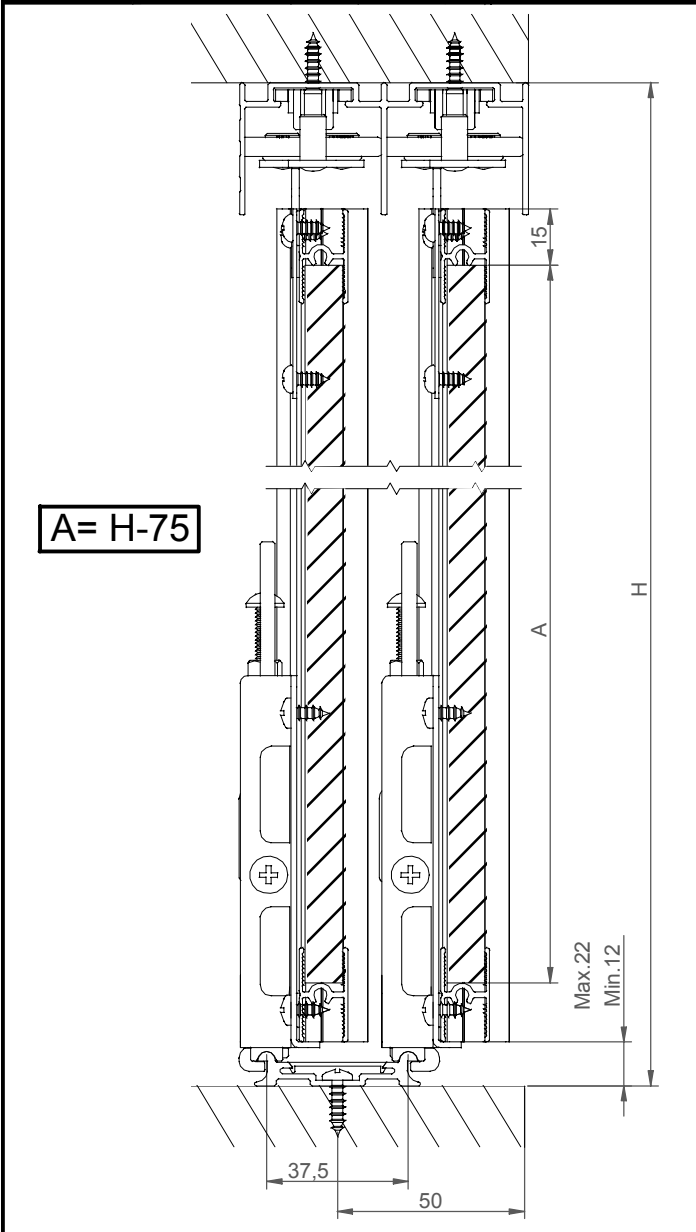
A=H-75

Contents of the set

944.05.043			944.05.042		
z		1	z		1
x		1	x		1
h		2	h		2
y	 DIN 7981 3,9x9,5	16	y	 DIN 7981 3,9x9,5	16
w		2	w		2
v		1	k		1
t		1	l		1
s		1	s		1
r		1	r		1
q	 DIN 7981 3,9x19	2	q	 DIN 7981 3,9x19	2
p	 DIN 7985 (PZ) M5x8 Zn	2	p	 DIN 7985 (PZ) M5x8 Zn	2
j	 DIN 125/A M-4 Zn	6	j	 DIN 125/A M-4 Zn	6
i	 DIN 125/A M-5 Zn	2	i	 DIN 125/A M-5	2



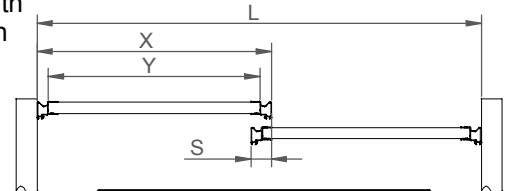
PROFILE FOR 10mm THICK PANELS



Calculation of leaf width SLIDO ROBE 45

Key

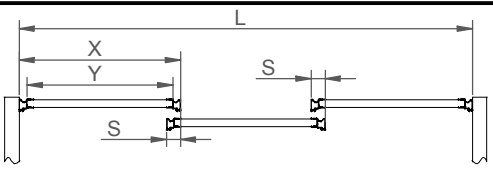
- L = Width of wardrobe
- Y = Panel Width
- X = Door width
- S = Overlap



$$Y = \left(\frac{L + S}{2} \right) - 33$$

$$X = Y + 33$$

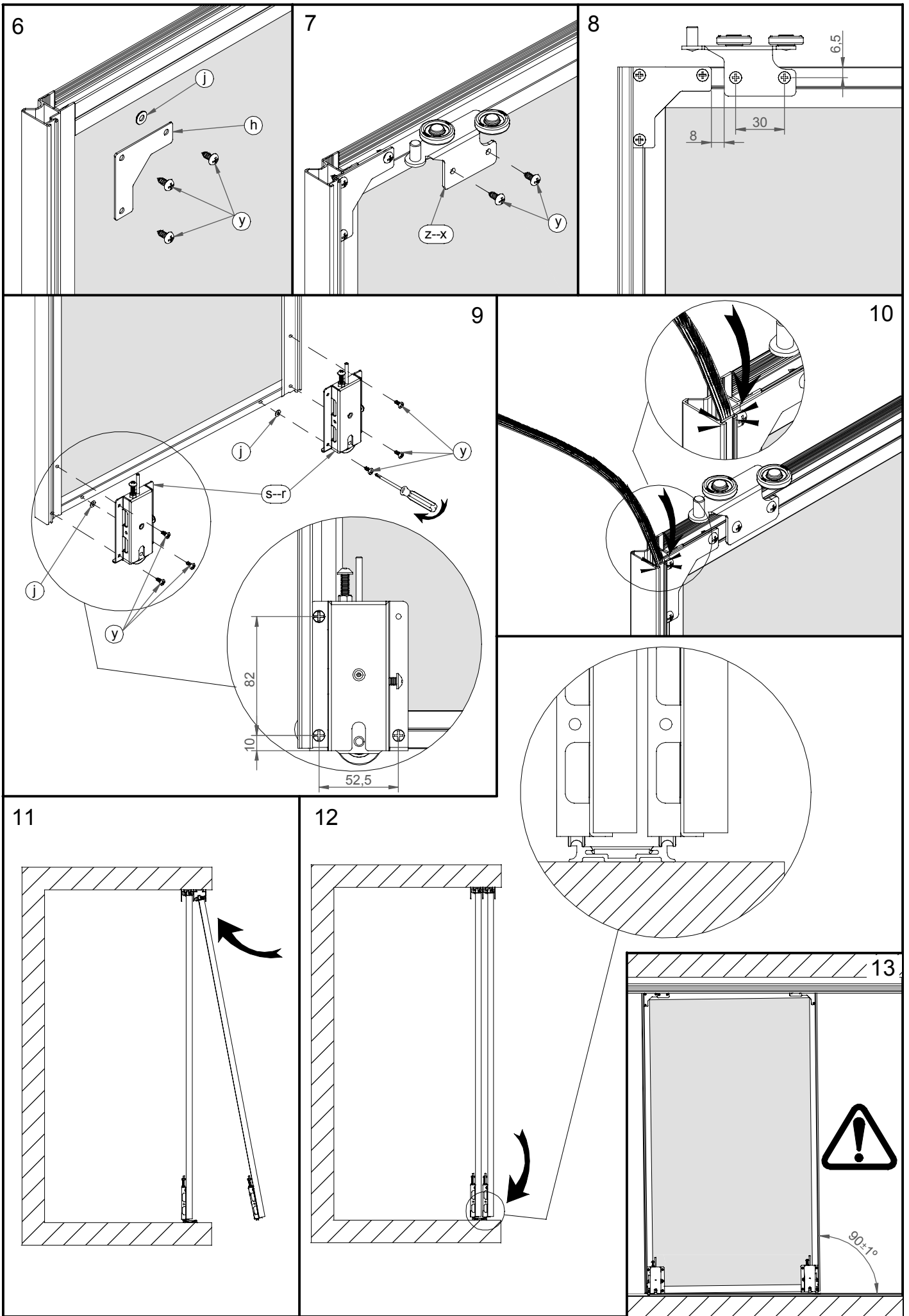
$$S = \text{min. } 30 \text{ mm}$$

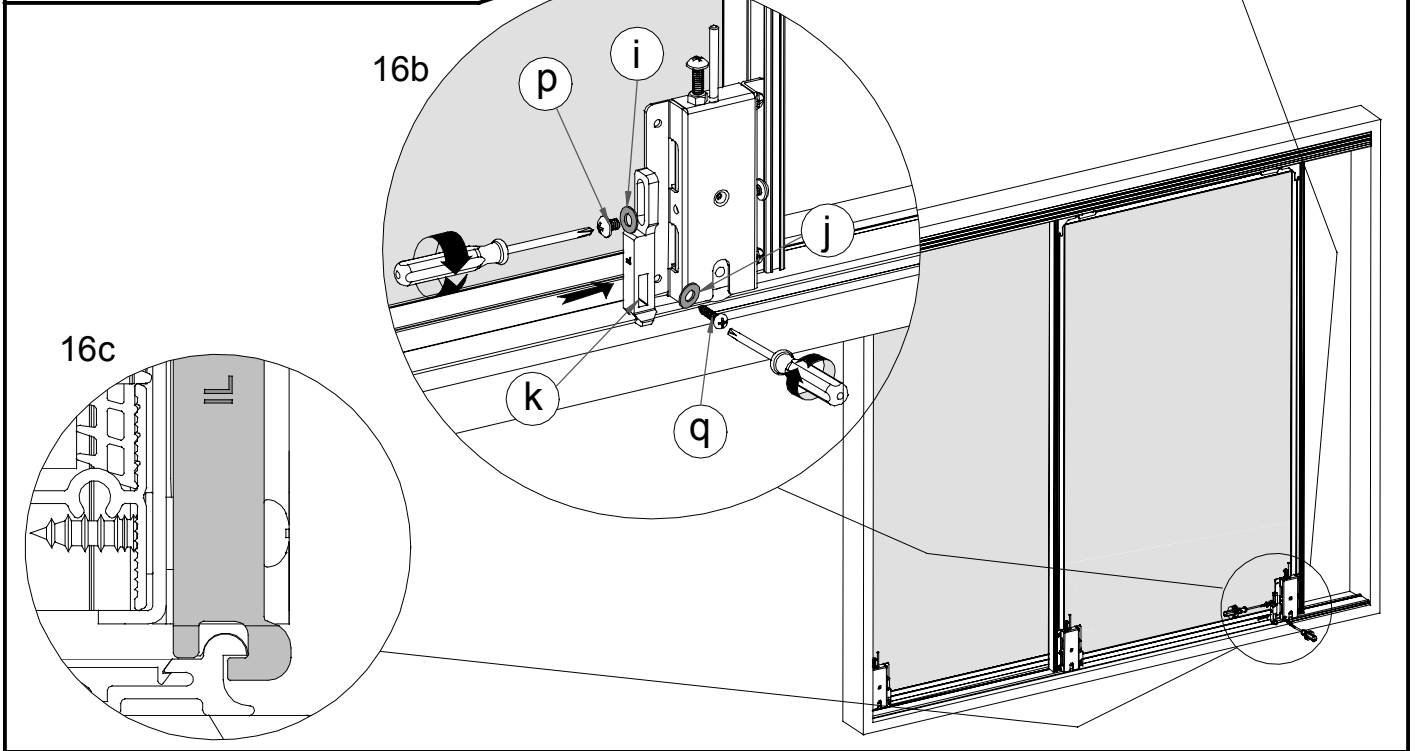
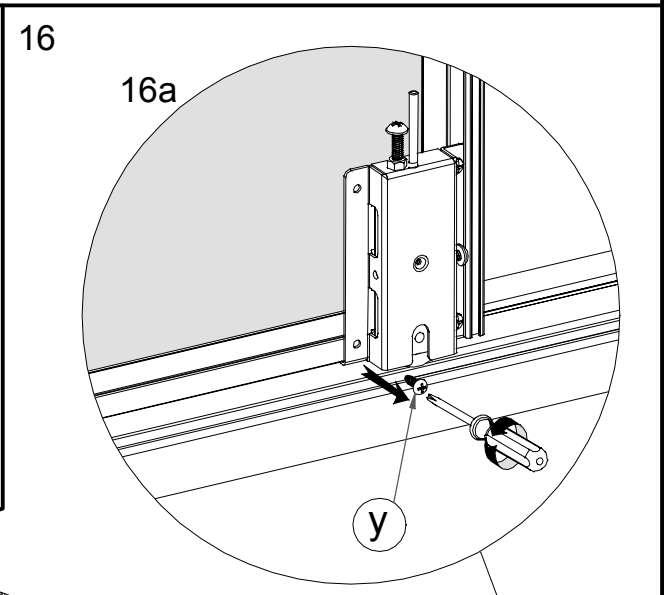
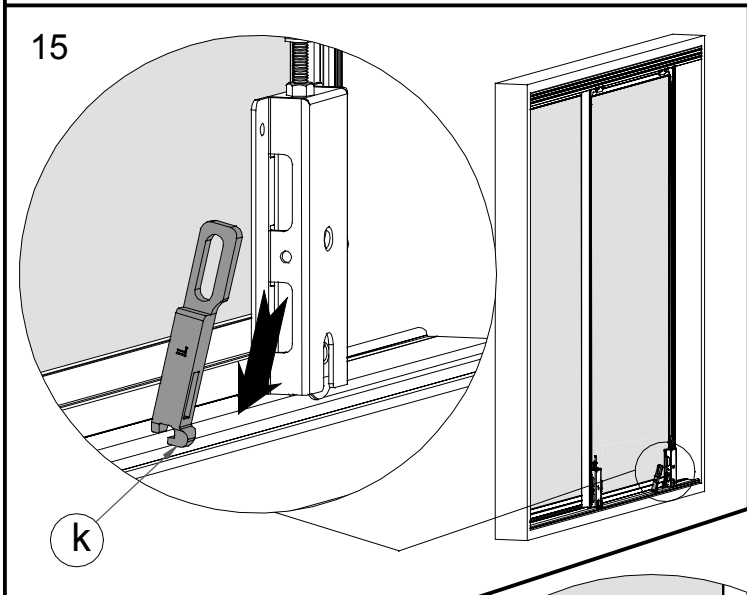
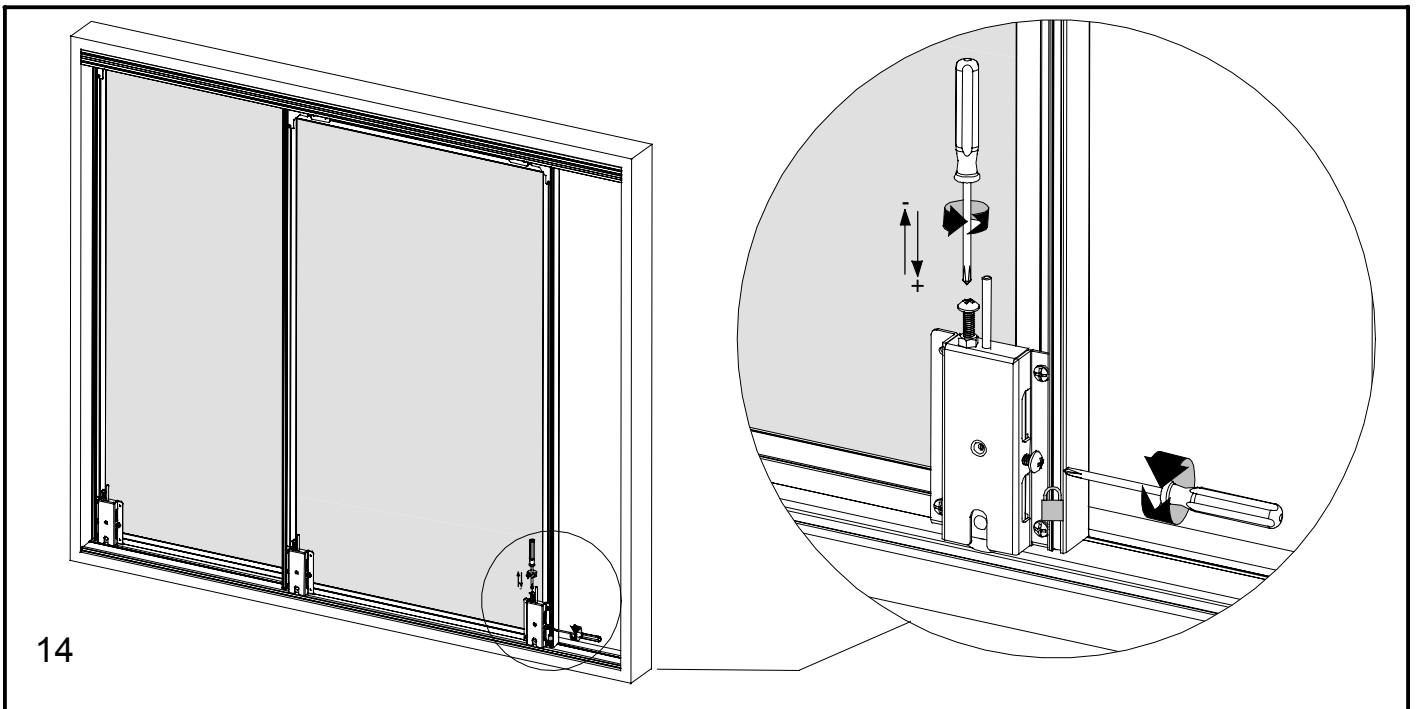


$$Y = \left(\frac{L + 2S}{3} \right) - 33$$

$$X = Y + 33$$

$$S = \text{min. } 30 \text{ mm}$$

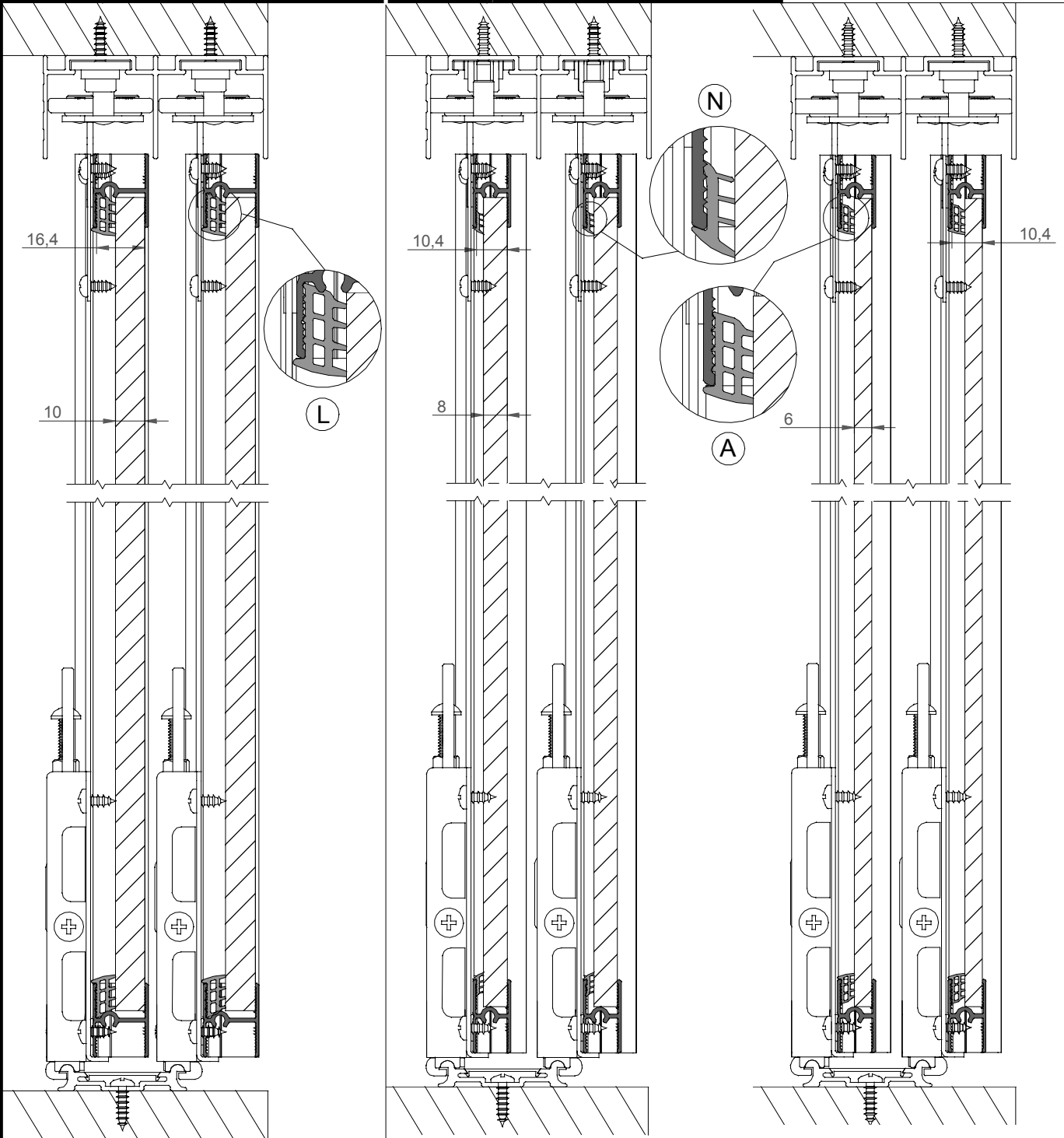




Installation variations

Profile for 16mm thick panels

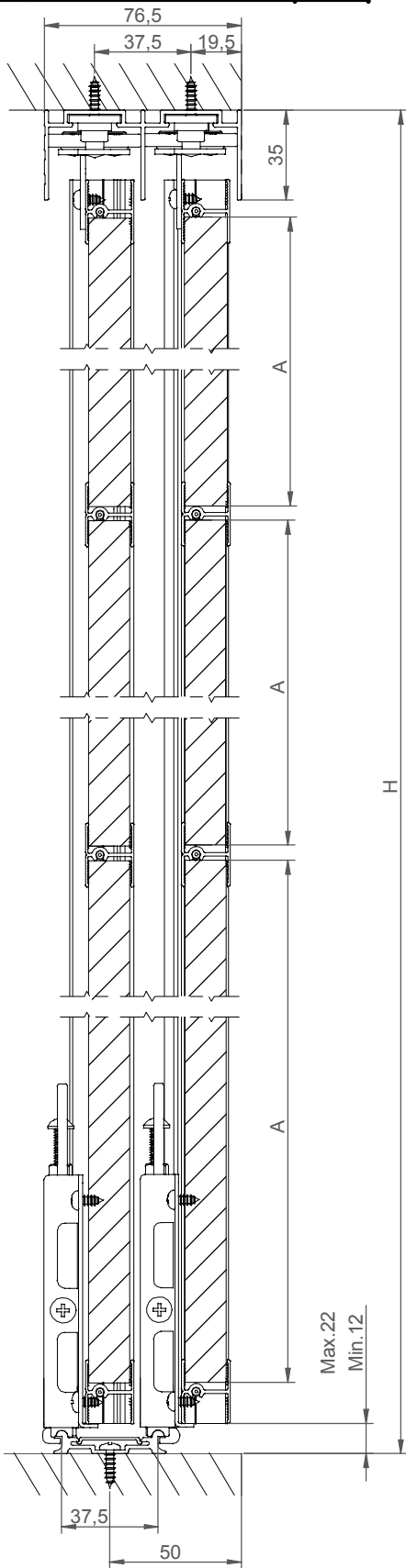
Profile for 10mm thick panels



	Panel insert thickness	Adaptor profile required	Adaptor	Section
16mm Thick panel profile	10 mm	6 mm	(L)	
10mm Thick panel profile	8 mm	2 mm	(N)	
10mm Thick panel profile	6 mm	4 mm	(A)	

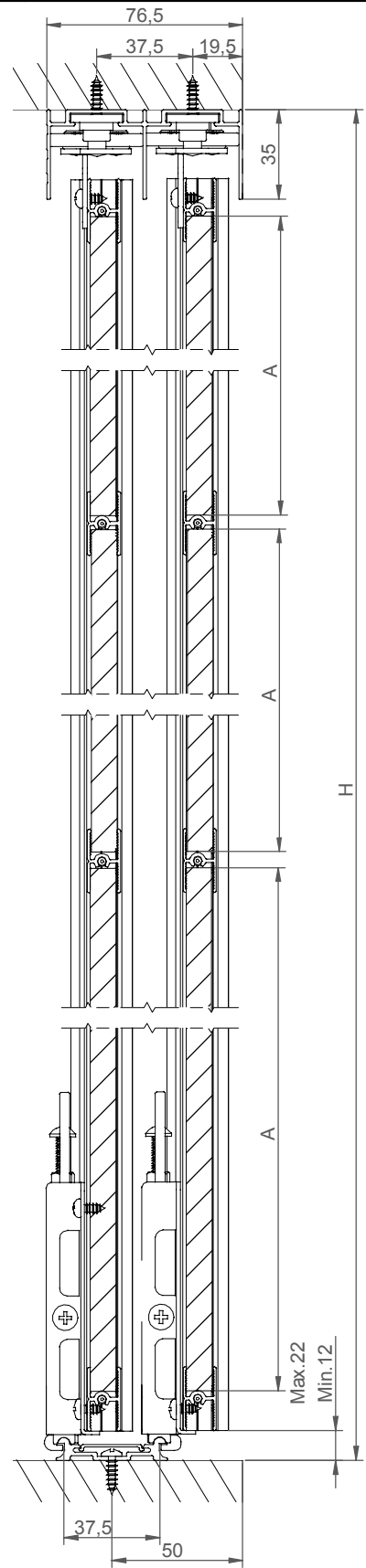
Installation variations continued

Profile for 16mm thick panels



$$A = \left(\frac{H - 75 - ((n^{\circ} - 1) \times 6)}{n^{\circ}} \right)$$

Profile for 10mm thick panels

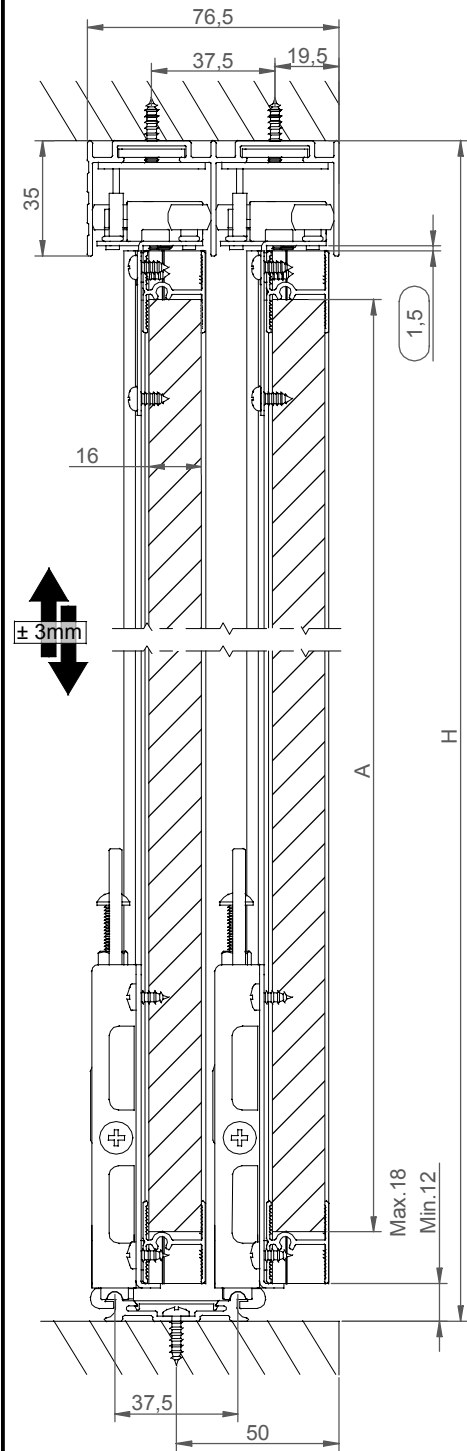


$$A = \left(\frac{H - 75 - ((n^{\circ} - 1) \times 6)}{n^{\circ}} \right)$$

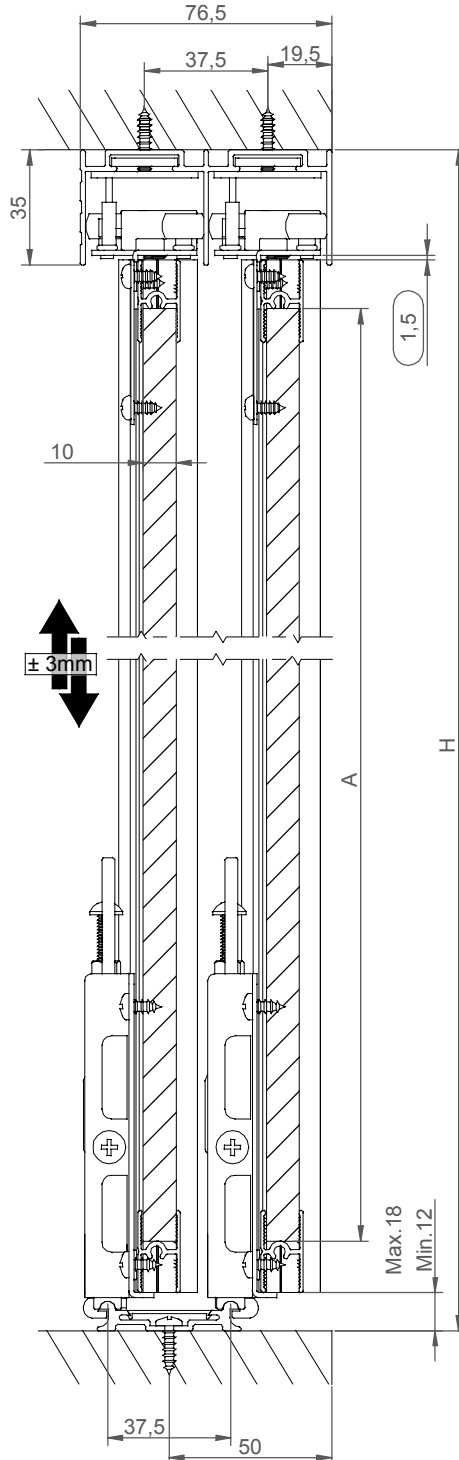
SOFTBRAKE Installation variations

Profile for 16mm thick panels

Profile for 10mm thick panels

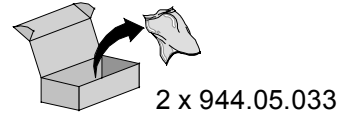
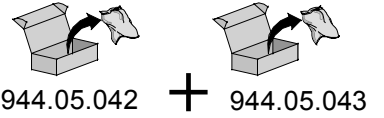



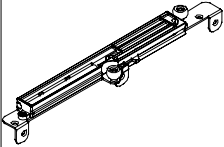
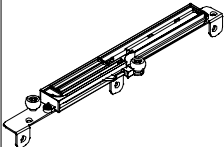


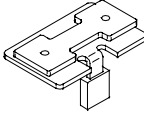
$$A = H - 75$$

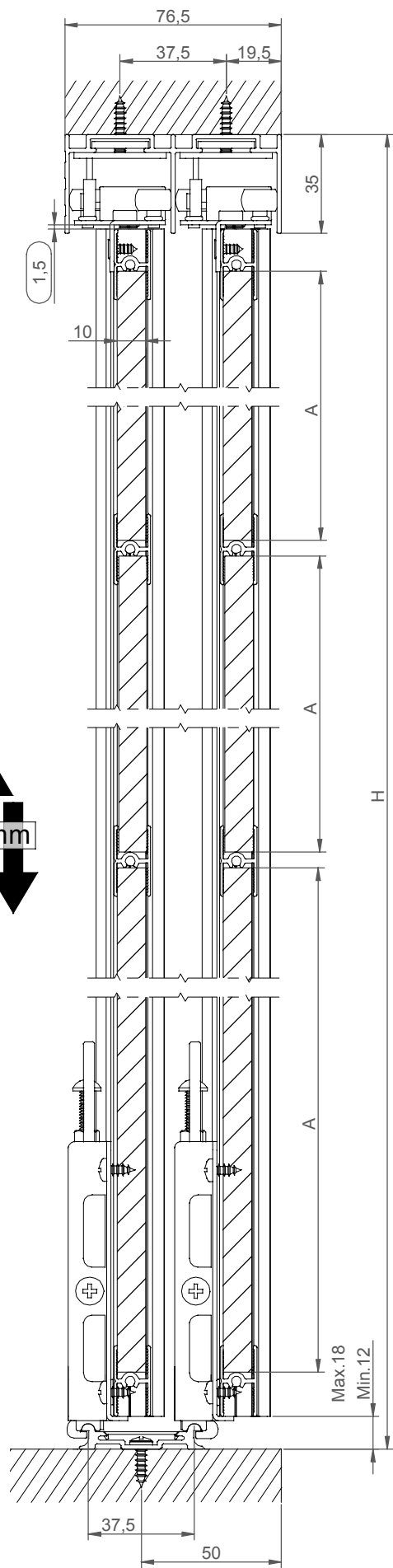


$$A = H - 75$$

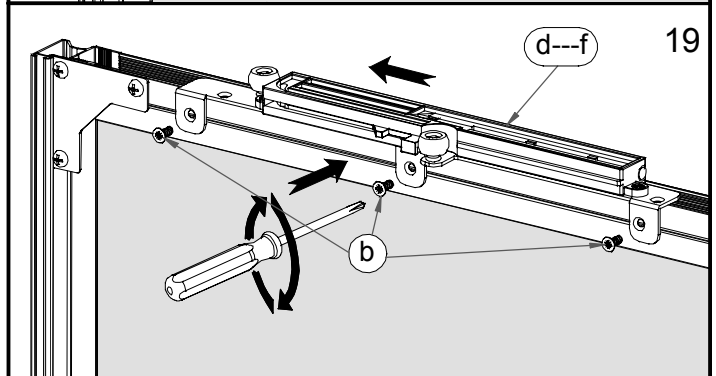
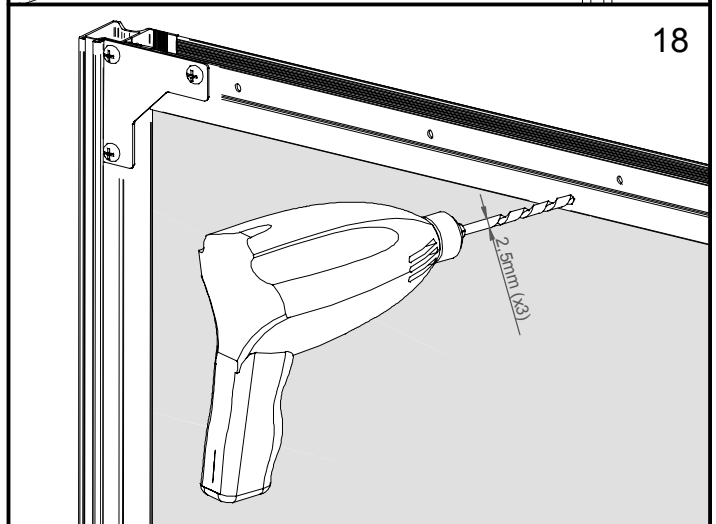
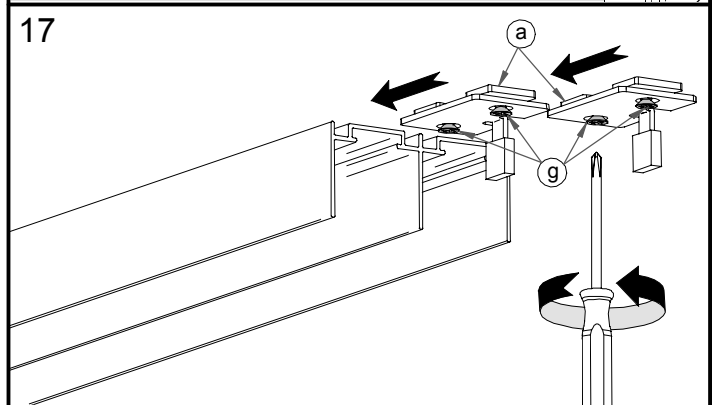
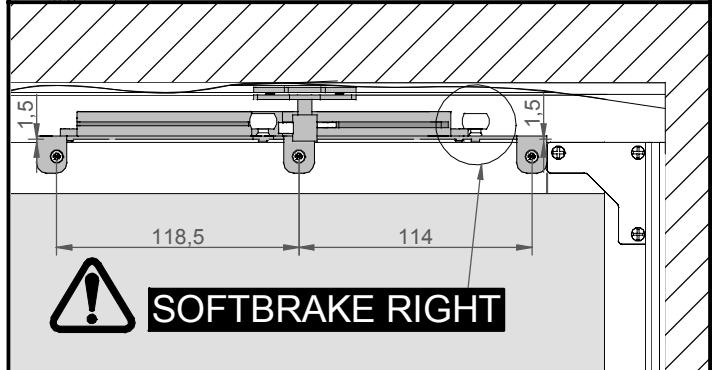
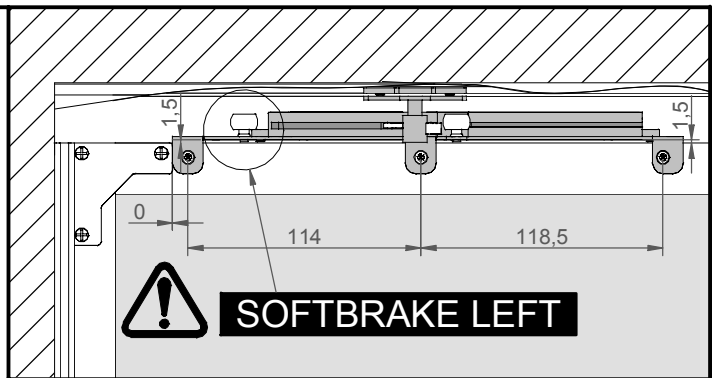
Contents of the set



g	 M4 x 6 DIN-965	4
f		1
d		1
c	 3,5x16 DIN-7505-A	4
b	 3,5x10 DIN-7505-A	6
a		2



$$A = \left(\frac{H - 75 - ((n^{\circ} - 1) \times 6)}{n^{\circ}} \right)$$



HÄFELE

SLIDO ROBE 45

