

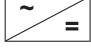
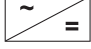







LED 2025
LED 2026

833.72.350 **833.72.360**
833.72.351 **833.72.361**
833.72.352 **833.72.362**
833.72.323 **833.72.137**

	K	W	T_A			
833.72.350	2700 K	3.8 W	-20 °C – +35 °C -4 °F – +95 °F	Ø 61.2 x 15.6	≥ Ø 71.2 x 25.6	 Loox 12 V
833.72.351	3000 K					
833.72.352	4000 K					
833.72.323	5000 K					
833.72.360	2700 K	3.0 W				
833.72.361	3000 K					
833.72.362	4000 K					
833.72.137	5000 K					

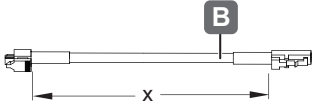
732.28.225



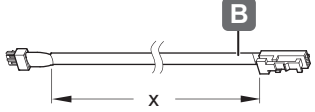
A

+



B

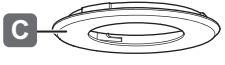
x	
500	833.72.880
1000	833.72.881
2000	833.72.882



B


x	
500	833.72.128
1000	833.72.129
2000	833.72.123

+




C

833.72.126	833.72.380
833.72.381	833.72.382
833.72.168	833.72.170
833.72.171	




D

833.72.127	833.72.383
833.72.384	833.72.385
833.72.172	833.72.174
833.72.175	




F




E 2x

833.72.124	833.72.193
833.72.192	833.72.194
833.72.160	833.72.162
833.72.163	



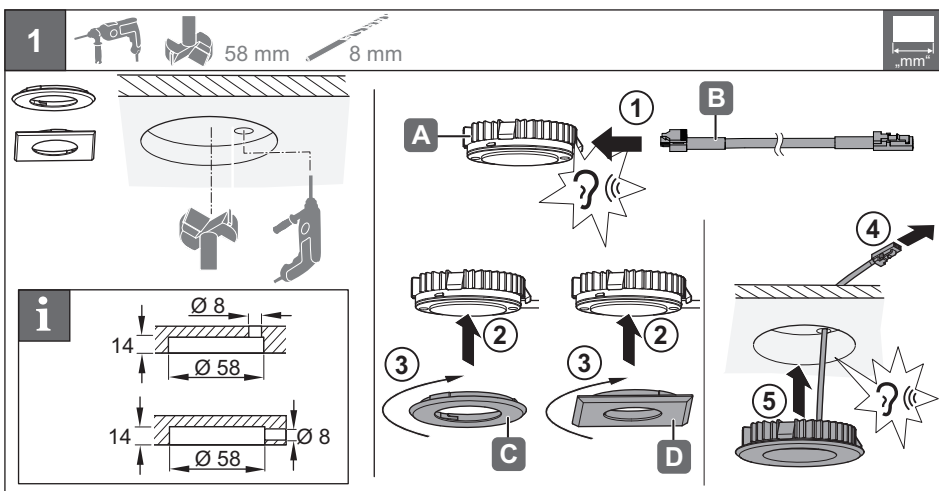
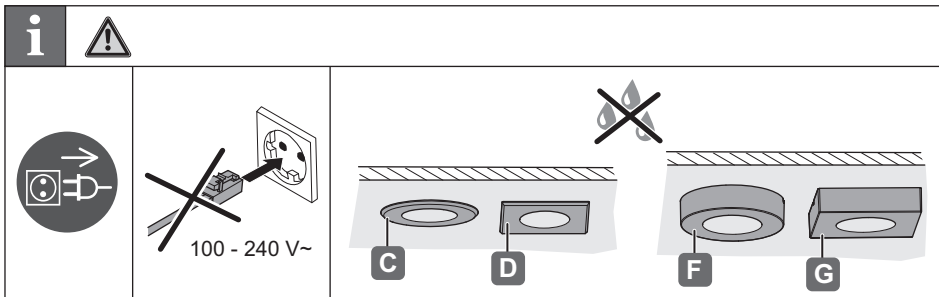
G

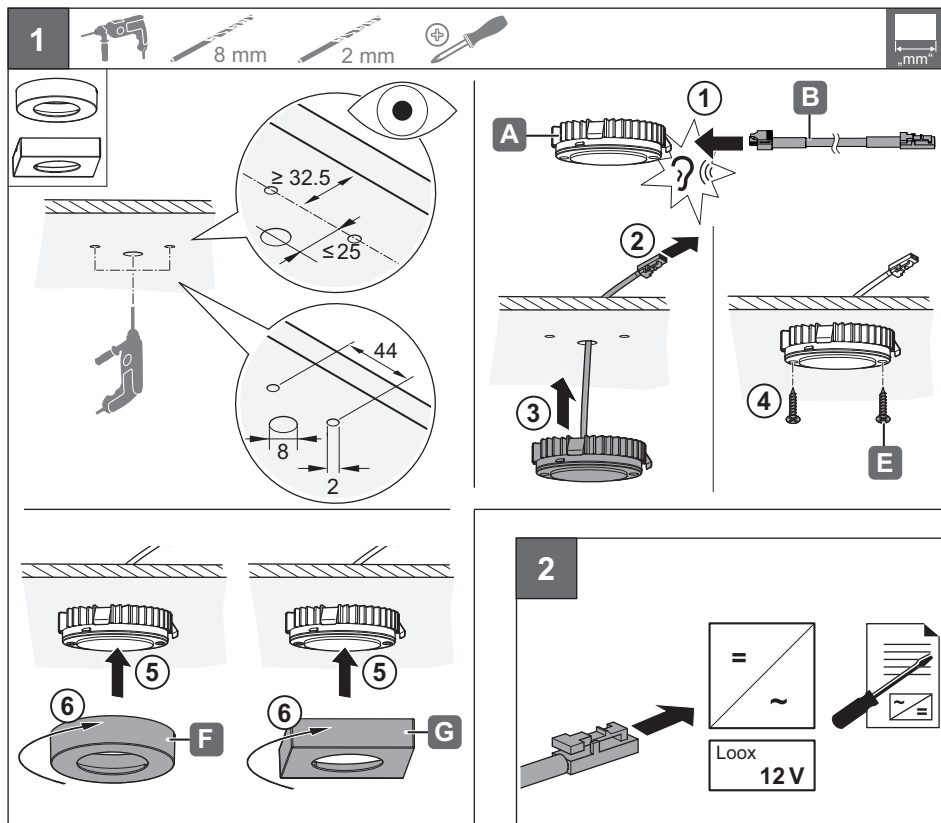


E 2x

833.72.125	833.72.195
833.72.196	833.72.197
833.72.164	833.72.166
833.72.167	

HDE 04/2017





732.28.225

HDE 04/2017