

KOALA is an unhandled cabinet hanger concealed behind rear panel, with only cover caps visible inside the cabinet. It has to be fixed with 3,5x16mm wood screws without any predrilling. The adjustment could be carried out through a hole in rear panel, by using a cross screwdriver for both vertical and horizontal adjustments. It is possible to choose two kind of covercaps to conceal: 12x36,5mm hole or Ø 35 hole.

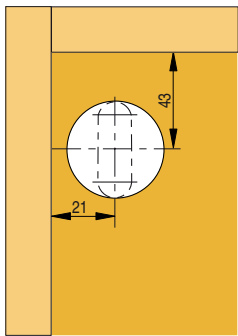
Capacity loading: 130 Kilos per pair
Steel, zinc alloy and engineering plastic

Part.no	Description	Finish
63516010ZN	Koala cabinet hanger, unhandled, screw fixing	Zinc-plated
63516020ZN	Wall fixing plate	Zinc-plated
23011010IG	Cover cap Ø 35mm	Silver
23011010AB	Cover cap Ø 35mm	White
23017030YA	Oval cover cap	Nickel-plated



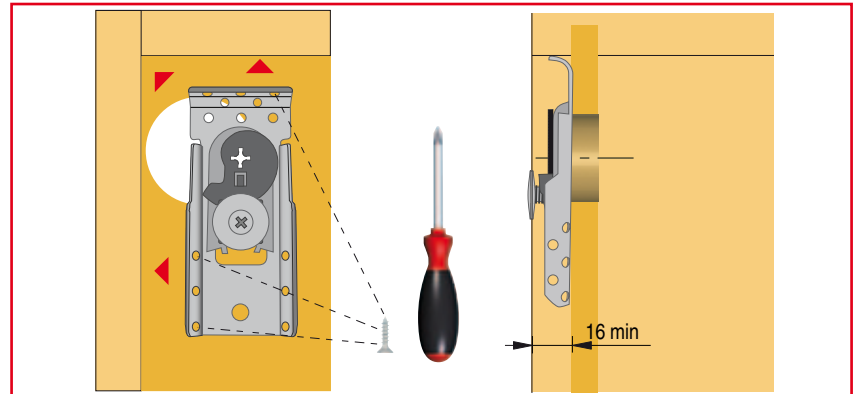
DRILLING PLAN

HOLE IN REAR PANEL:
- Ø 35mm FOR ROUND COVER CAP
- 12x36,5mm FOR OVAL COVER CAP

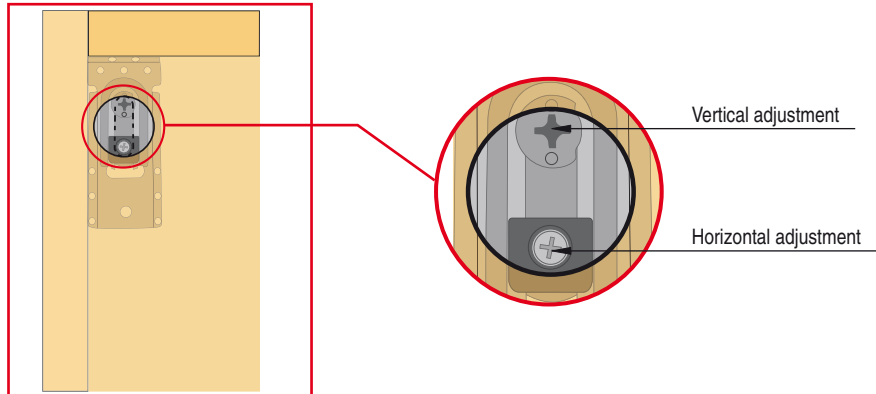


APPLICATION

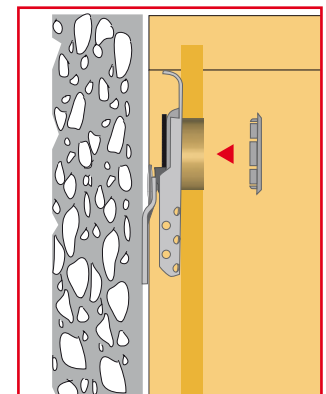
1 FIX THE CABINET HANGER IN POSITION BY USING WOOD SCREWS 3,5x16mm.



2 ADJUST THE CABINET VERTICALLY AND HORIZONTALLY ACCORDING TO THE APPLICATION.

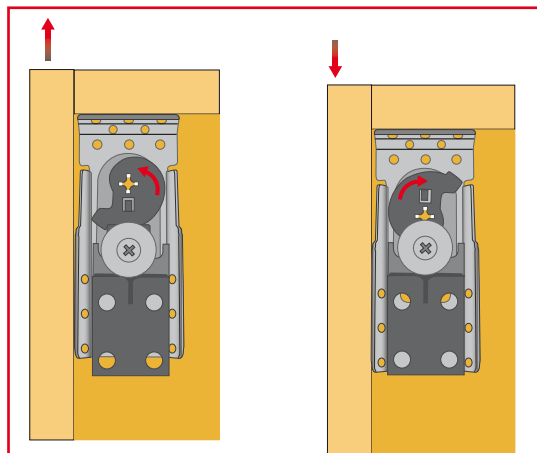


3 INSERT THE COVER CAP INTO THE ADJUSTMENT HOLE

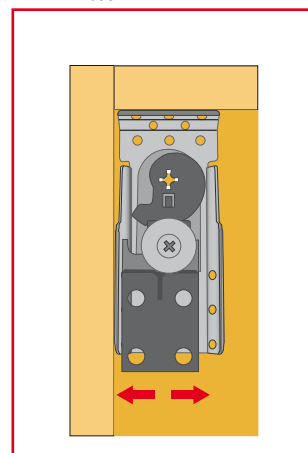


ADJUSTMENT DETAILS

VERTICAL ADJUSTMENT 11mm



LATERAL ADJUSTMENT 12mm



HORIZONTAL ADJUSTMENT 10mm

