

Floor springs for single and double action doors

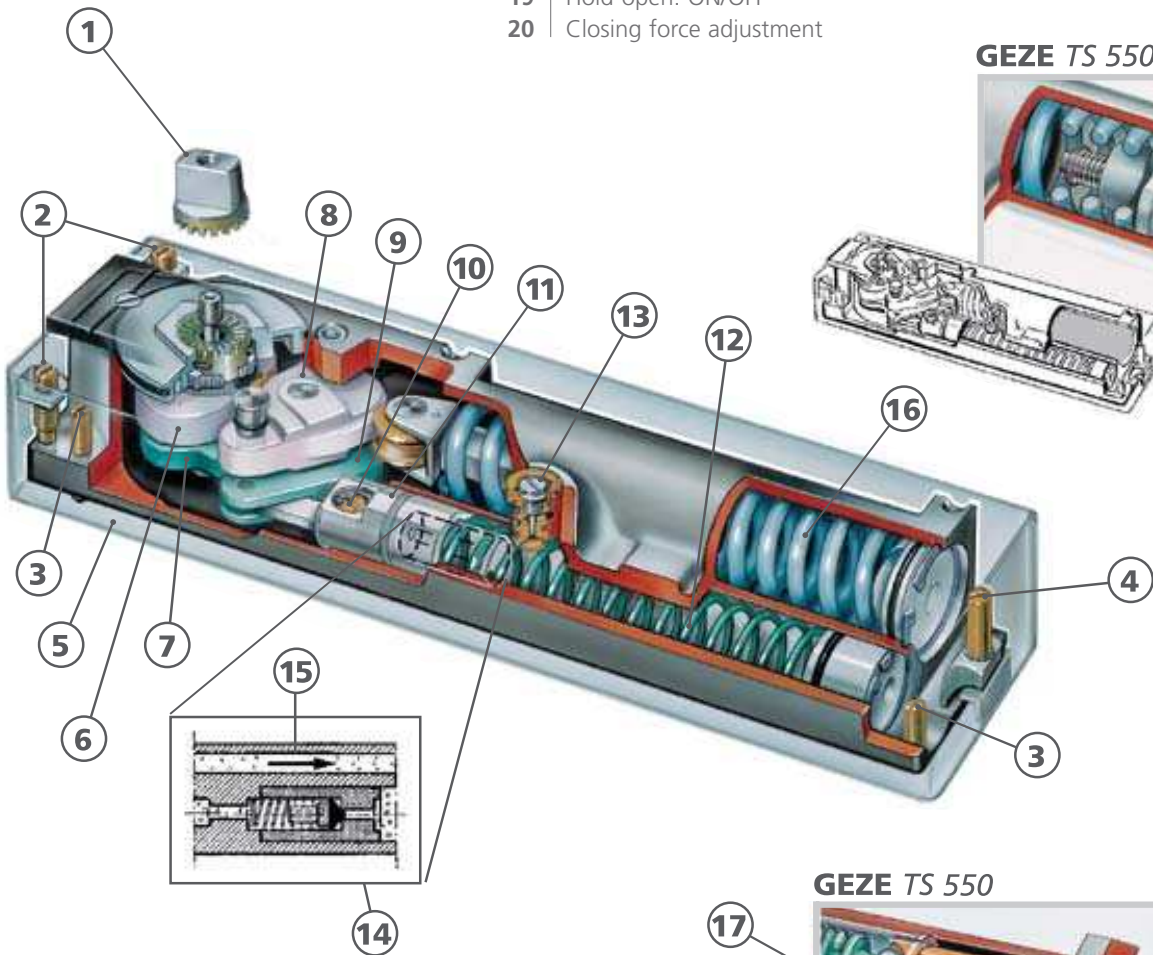
Floor springs GEZE



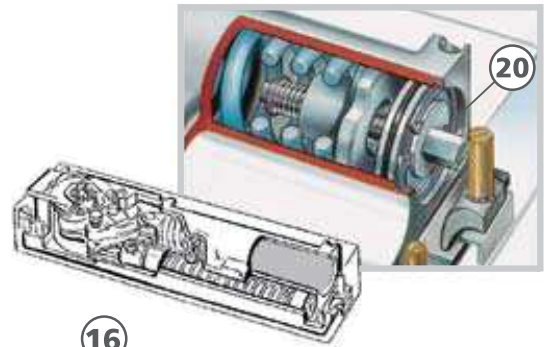
Fünf Höfe, München

Legend Technology TS 550

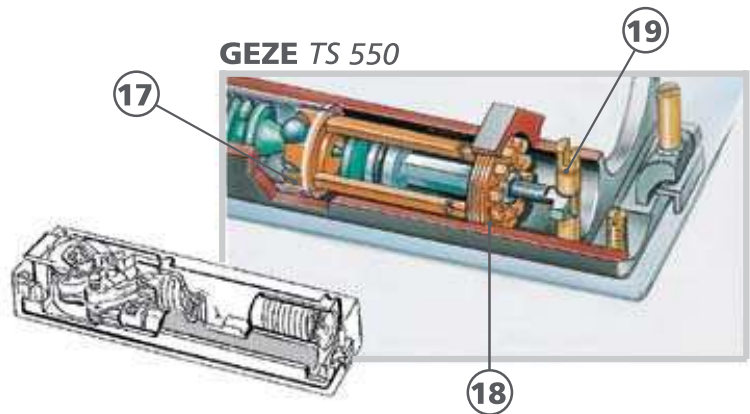
- 1 Toothed spindle
- 2 Clamping screw
- 3 Height adjustment screw
- 4 Fixing screw
- 5 Cement box
- 6 Radial cam closing force
- 7 Radial cam hydraulic unit
- 8 Sprint pivot lever
- 9 Piston pivot lever
- 10 Oil screen
- 11 Piston
- 12 Spring for piston return
- 13 Regulating valve
- 14 Safety valve
- 15 Oil return channel
- 16 Closing spring
- 17 Ball ring for hold-open
- 18 Hold-open adjustment
- 19 Hold-open: ON/OFF
- 20 Closing force adjustment



GEZE TS 550



GEZE TS 550



Door shoes for double action doors

Door shoe model CM

With flat taper for aluminium doors.
Material: steel, drop-forged and galvanised
Adapted to profile system / for almost every door system (on request).

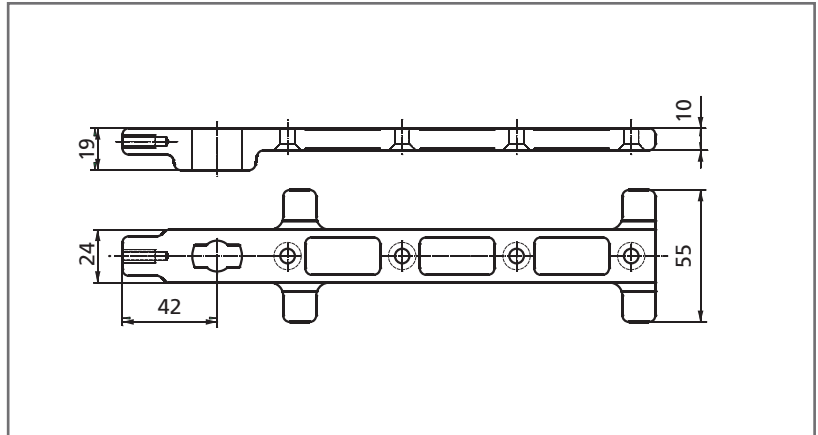


Fig. 24-1

Door shoe model C

With flat taper for metal and timber doors.
Material: steel, drop-forged

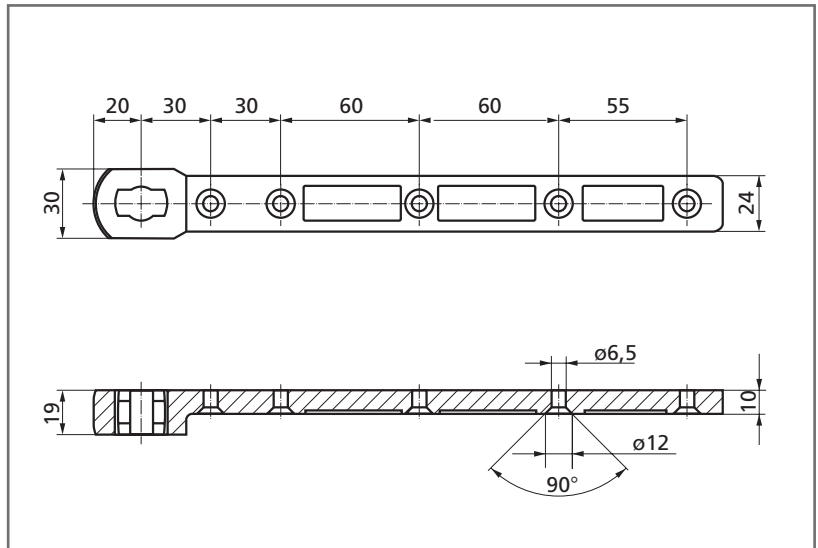


Fig. 24-2

Door shoe model S

With flat taper for welding on steel doors.
Material: steel

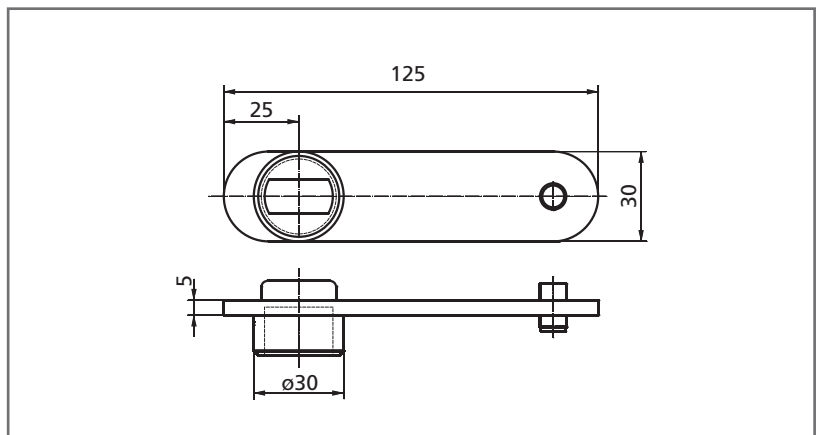


Fig. 24-3

Upper pivots for double action doors

Adjustable upper pivot model B

Suitable for door shoe model CM, C and S.
Available as standard (43 mm), 55 mm, 65 mm.

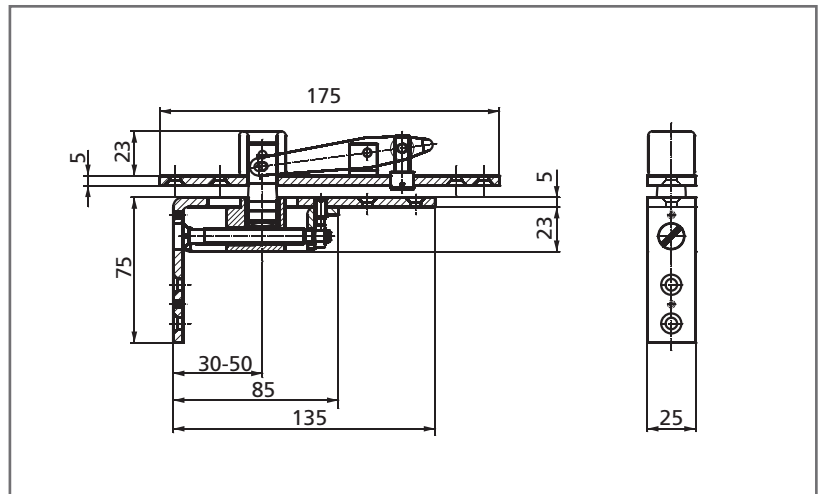


Fig. 25-1

Adjustable upper pivot model C

Suitable for door shoe model CM, C and S.
Available as standard (43 mm), 55 mm, 65 mm.

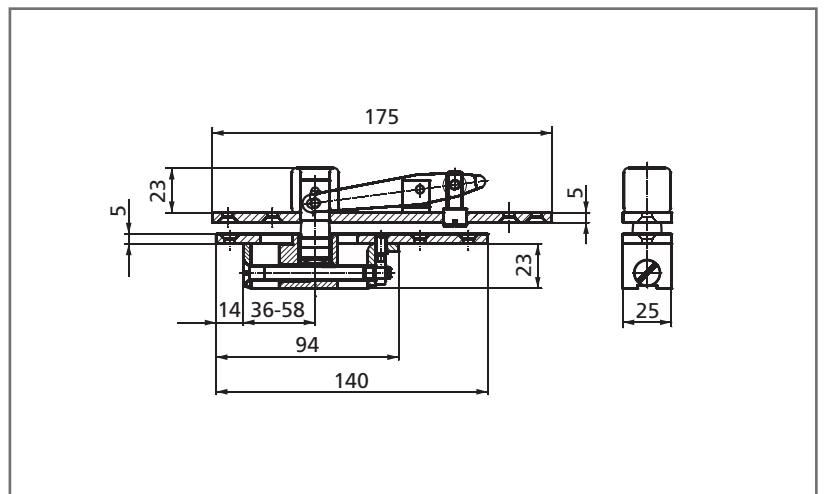


Fig. 25-2

Designation	Finish	ID No.
Door shoe model CM		001067
Door shoe model C		007432
Door shoe model S		007434
Adjustable upper pivot model B	pivot pin 43 mm (standard)	006371
	pivot pin 55 mm	000108
	pivot pin 65 mm	000903
Adjustable upper pivot model C	pivot pin 43 mm (standard)	006666
	pivot pin 55 mm	000905
	pivot pin 65 mm	000904