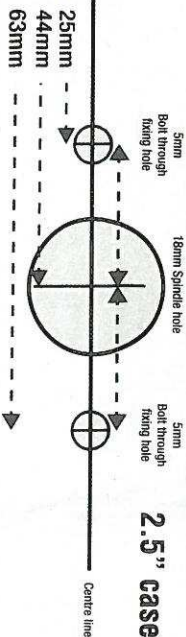
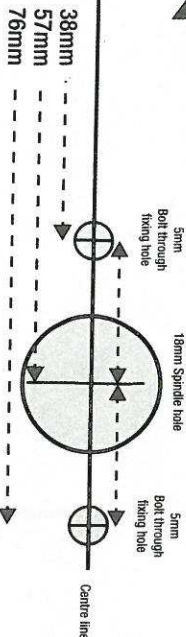


Fitting Templates



Line up template with edge of door

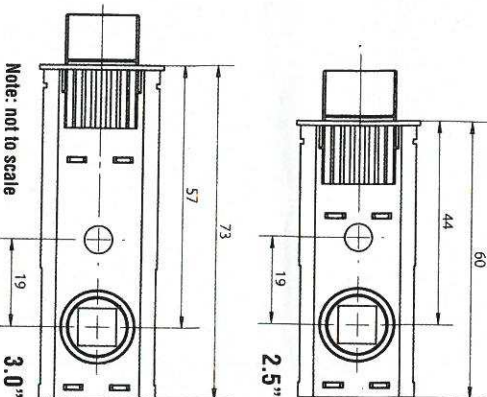
2.5" case



3.0" case

IMPORTANT

Before you drill any holes double check you are using the right template

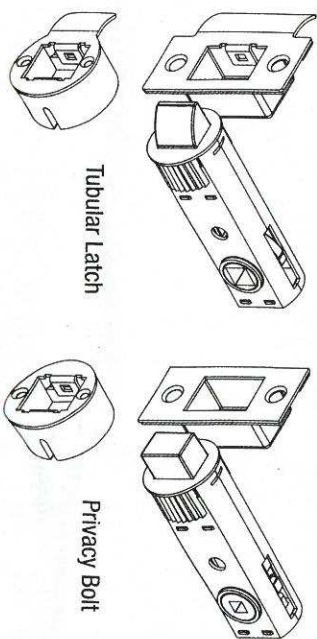


Note: not to scale

The Push Fit Latch / Privacy Bolt Fitting Instructions

Part No: 100-R

Issue 1/05/17



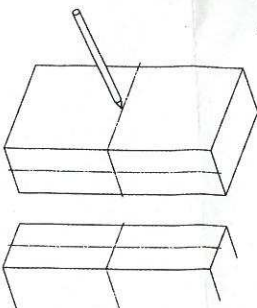
Tubular Latch

Privacy Bolt

TOOL KIT REQUIRED

- Pencil and eraser
- Set square
- Ruler
- 22mm drill bit (square strike)
- 32mm drill bit (round strike)
- 25mm drill bit
- 19mm drill bit
- 5mm drill bit
- 10mm chisel
- Hammer
- Screw driver
- Rubber mallet
- Small wooden block

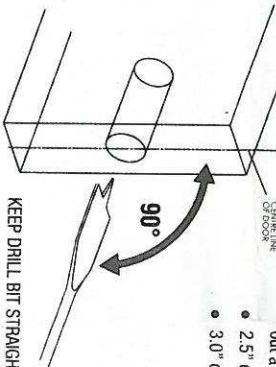
1 Mark the door and frame



- Mark centreline of door and frame with a pencil.
- At the required height, mark a horizontal line on the door and frame.

TIP!
Use a set square

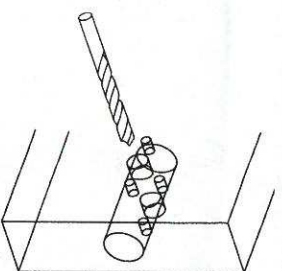
2 Mortice the door



- Using a 25mm drill bit, bore out a hole to the required depth.
- 2.5" case = min 68mm
- 3.0" case = min 78mm

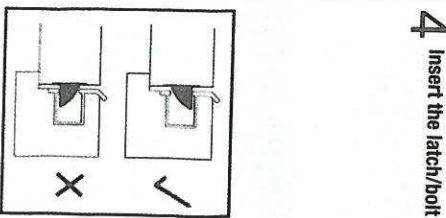
TIP!
Mark the drill bit at the required depth

3 Drill the holes for the door furniture



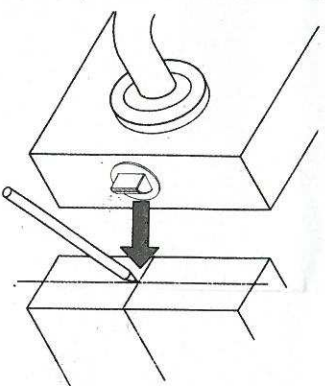
- Using the template, line up the horizontal line and mark the position for the spindle and bolt through fixings (if required).
- For spindle hole use a 18mm drill bit - drill straight through the door.
- For bolt through fixing holes use a 5mm drill - drill straight through the door.

4 Insert the latch/bolt



- Insert the latch/bolt and ensure the centreline marked on the doors is in line with the seam line on the product.
- The product is secured with a interference fit so that the head will be held tight in the timber.
- Lightly tap the forend on both sides of the latch / bolt using a small block of wood and rubber mallet.
- **DO NOT HAMMER THE LATCH INTO POSITION.**
- Fit the door furniture and check the operation of the latch/bolt with the door in the open position.

5 Position and fitting of the strike



- From the position of the installed latch/bolt ensure that the height line on the frame is still aligned. Make a vertical line half the width of the door (measuring from the door stop).
- Select which strike you prefer - round or square strike. Place your strike over the intersection of the 2 lines.

Square

- Draw around the strike and mark out the aperture and fixing holes. Pilot drill the holes to create a datum point.
- At the point of the intersection drill a 22mm dia hole, 16mm deep.
- Chisel out the hole to accept the matching splinter guard 22mm x 30mm.
- From the outline of the strike recess the timber 2mm to accept the strike and the splinter guard so it's flush with the frame.
- Position the splinter guard in the hole, overlay the strike and fix into position.

Round

- At the point of the intersection, drill a 32mm dia hole 17mm deep.
- Position the splinter guard in the hole, overlay the strike and fix into position with the screws provided.

To watch our fitting video scan the QR tag below



ASSA ABLLOY

UNION