



MLA 8

237.59.030



www.hafele.com

237.59.030	12 V DC	280 x 50 x 25,2	0-50 °C



ZN 6.117.010.90a

732.22.031

12 V DC → PS 4 (0,5 m)

237.56.360 0,5

+

D 079.00.027

C 079.00.013

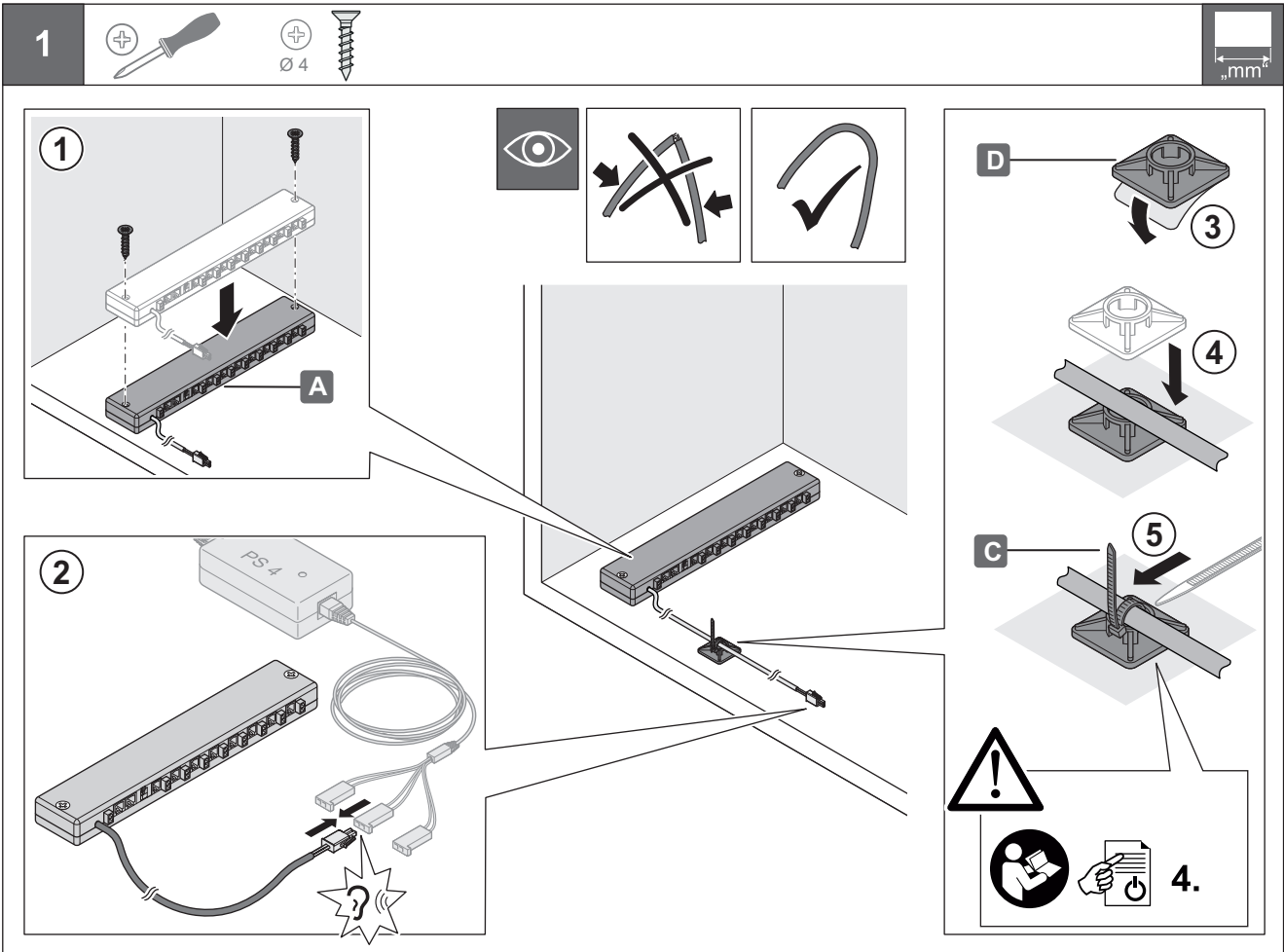
MLA 8 → PS 4		MLA 8 → FT 200	
E	m	F	m
823.28.327	2	237.56.361	1
823.28.351	5	237.56.362	2
823.28.360	10	237.56.365	5

i

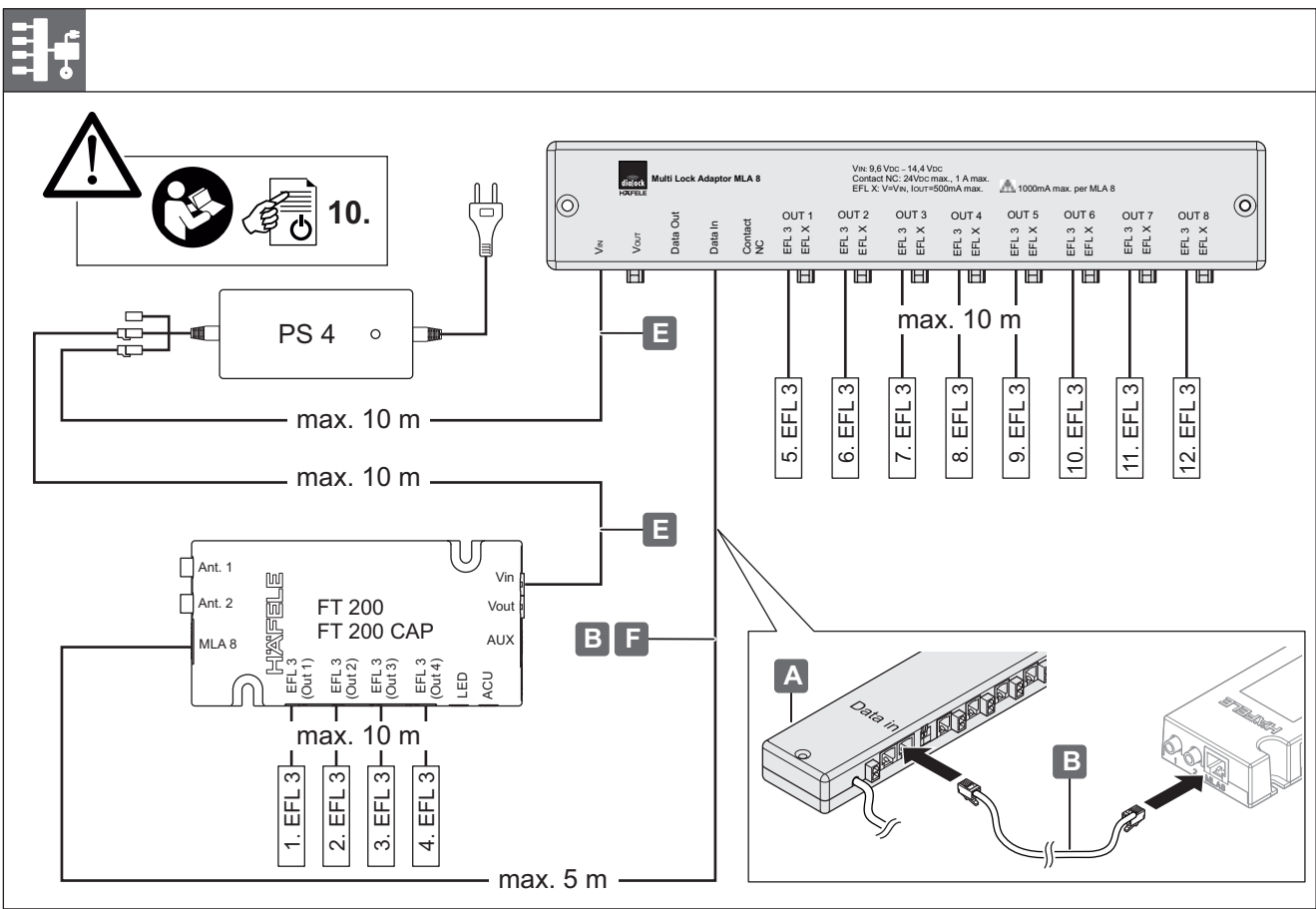
,mm

Vin: 9,6 Vdc - 14,4 Vdc
 Contact NC: 24Vdc max., 1 A max.
 EFL X: V=Vin, Iout=500mA max. 1000mA max. per MLA 8

HDE 04.02.2020



732.22.031



HDE 04.02.2020