

T5 Fluorescent Shelf Light

INSTALLATION INSTRUCTION

Models:

ASH-B818	T5 8W
HUK: 826.77.951	
ASH-B1318	T5 13W
HUK: 826.77.952	
ASH-B2118	T5 21W
HUK: 826.77.953	
ASH-B2818	T5 28W
HUK: 826.77.954	

Pack Contents:

Fitting	x 1
Fixing Pack	x 1
Suction Cup	x 1
Instruction Leaflet	x 1

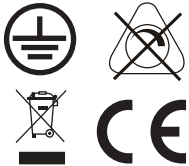
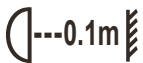
PLEASE READ THESE BEFORE COMMENCING INSTALLATION AND RETAIN FOR FUTURE REFERENCE.

- Switch off the electricity at the mains before commencing installation or lamp change and (if a fuse box is used) remove the appropriate circuit fuse to avoid accidental switching on of the mains supply.
- If the external flexible cable or cord of this luminary is damaged, it shall be exclusively replaced by the manufacturer or his service agent or similar qualified person in order to avoid a hazard.
- This product is class I. Must be earthed.
- This product is not dimmable or not design for use with any dimmer control. This will result in undesirable behaviour or complete lamp failure.
- CAUTION: Risk of electrical shock or fire, use only on 15 Amp maximum branch circuit.
- Suitable for interior use. Suitable for mounting on a normally flammable surface.
- These light fittings are only suitable for indoor use BUT NOT IN BATHROOMS OR UTILITY ROOMS THAT GENERATE EXCESSIVE MOISTURE the fittings must be installed in accordance with the latest IEE wiring regulations.
- Do not attach to surfaces which are damp, freshly painted or otherwise electrically conductive (e.g. metallic surfaces).
- Fixing hole must clear any obstruction (e.g. Cables or gas or water pipes) within the mounting surface.
- If in doubt regarding these installations, consult a qualified electrician.
- CAUTION: Do not use the product if the glass was damaged or cracked. Replace any damaged glass immediately.

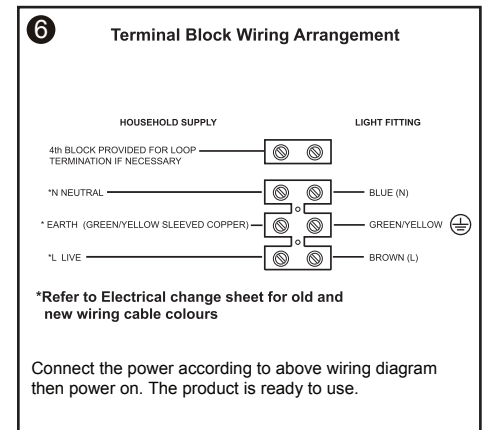
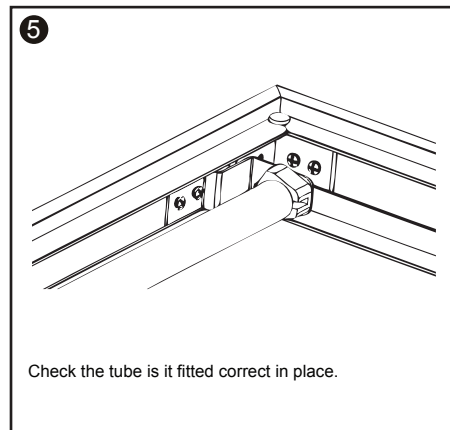
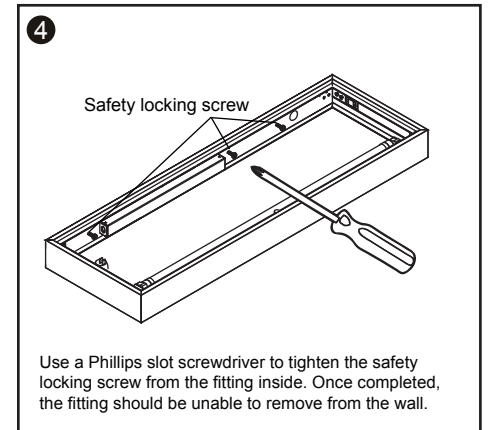
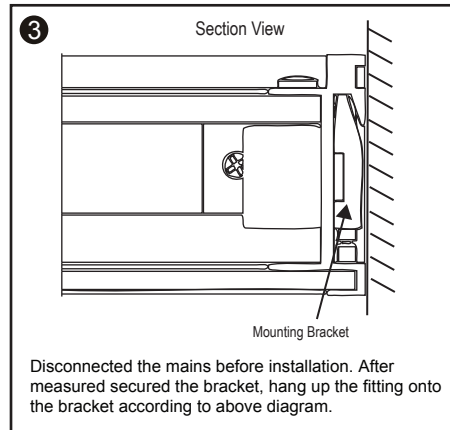
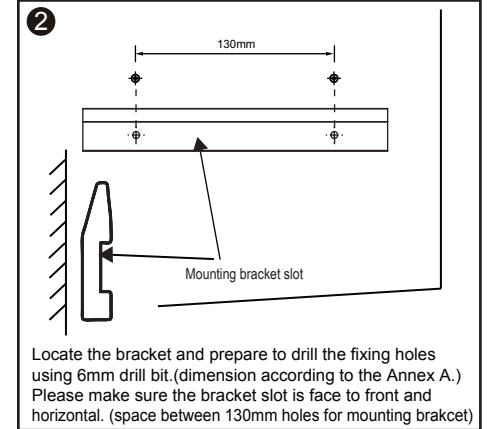
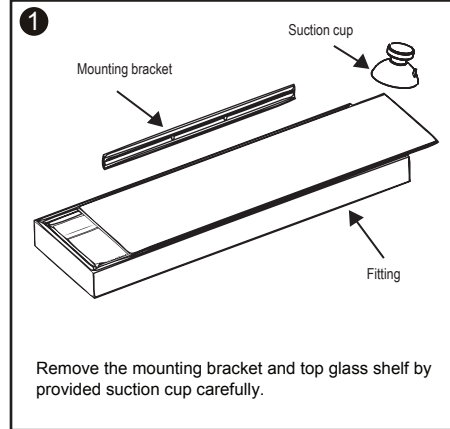
Specification :

Input Voltage : 220-240V~

Shelf box maximum load carrying capacity is 12 KGS.



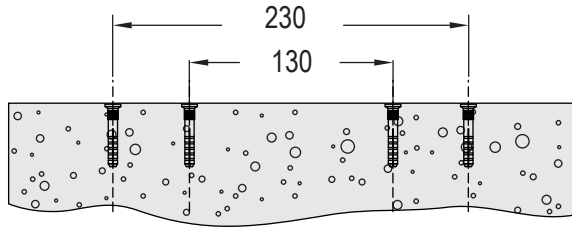
INSTALLATION



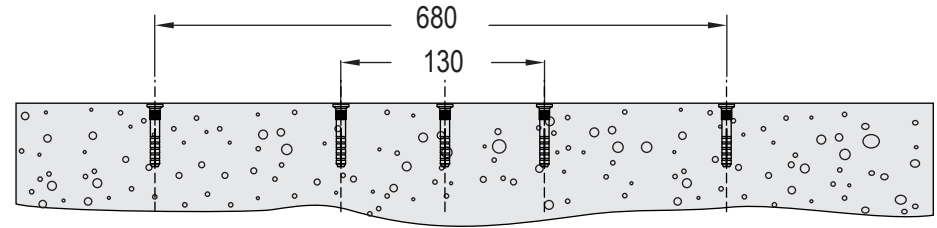
INSTALLATION - Annex A

Measure in mm. (Only space between 130mm holes for mounting brakcet , other holes for mounting fitting)

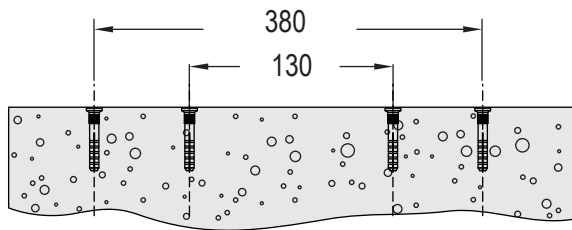
For 8W



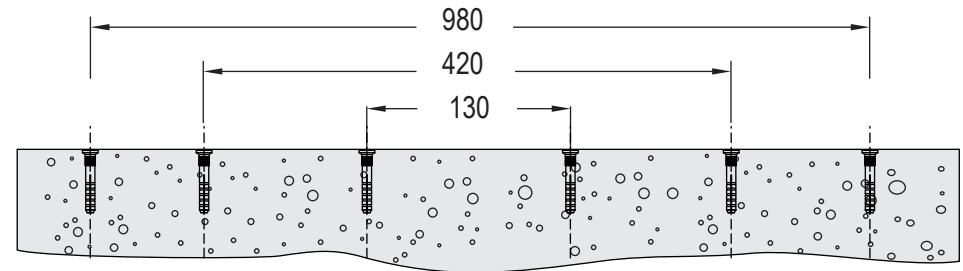
For 21W



For 13W



For 28W



TUBE REPLACEMENT

