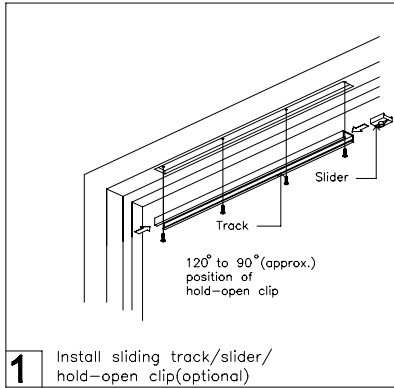
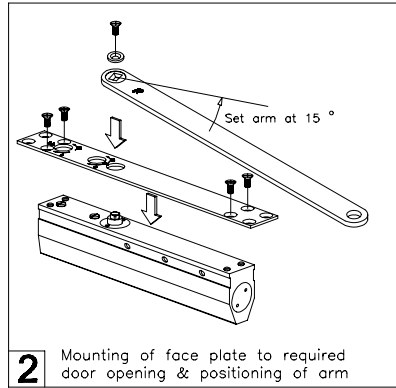


To install a right hand door (Din left door)

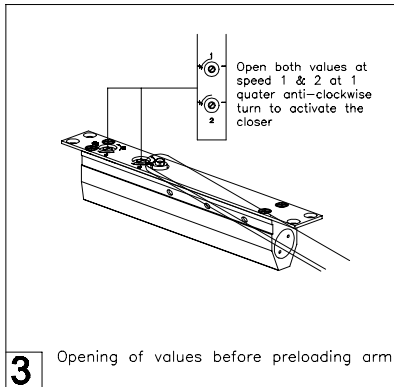
Concealed Door Closer
Aluminum Extrusion



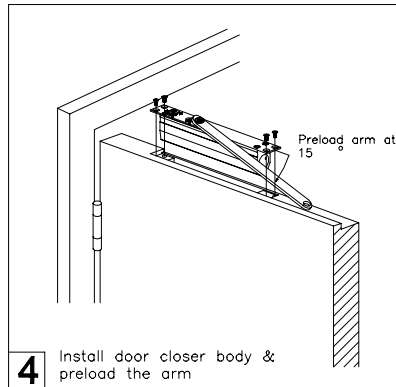
1 Install sliding track/slider/
hold-open clip(optional)



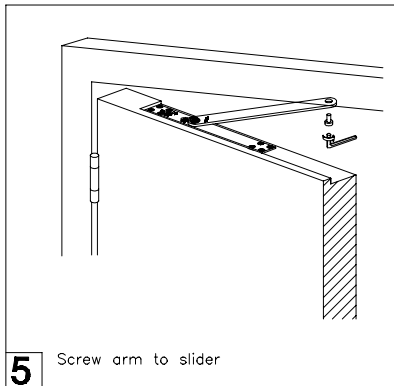
2 Mounting of face plate to required
door opening & positioning of arm



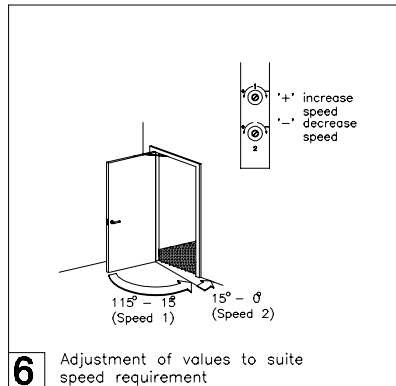
3 Opening of values before preloading arm



4 Install door closer body &
preload the arm



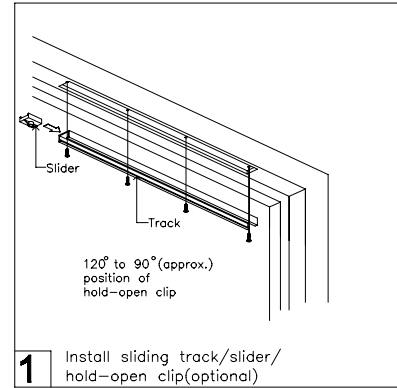
5 Screw arm to slider



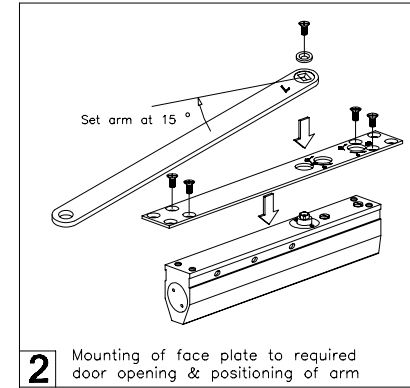
6 Adjustment of values to suite
speed requirement

To install a left hand door (Din right door)

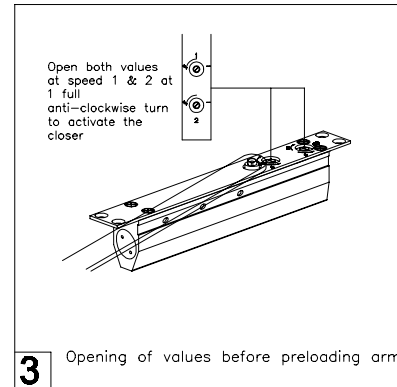
Concealed Door Closer
Aluminum Extrusion



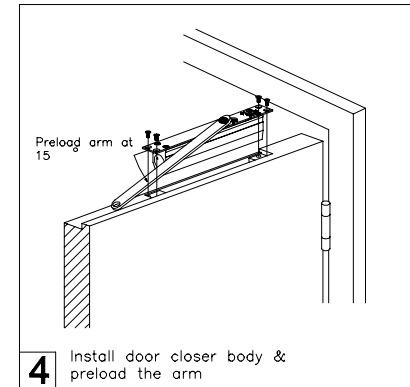
1 Install sliding track/slider/
hold-open clip(optional)



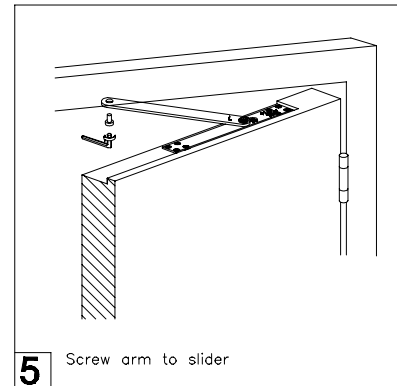
2 Mounting of face plate to required
door opening & positioning of arm



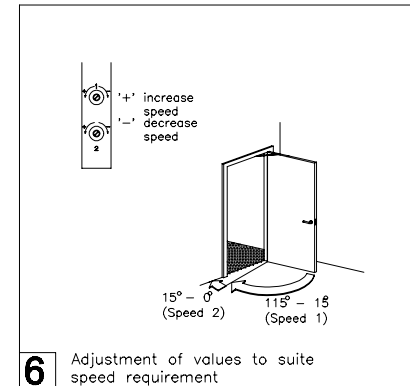
3 Opening of values before preloading arm



4 Install door closer body &
preload the arm



5 Screw arm to slider



6 Adjustment of values to suite
speed requirement