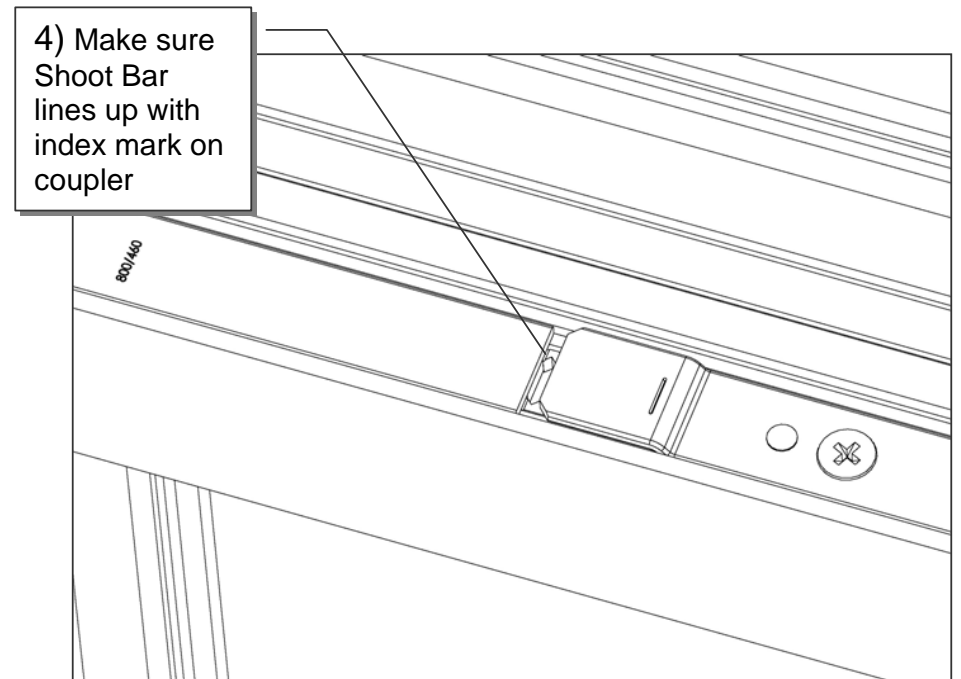
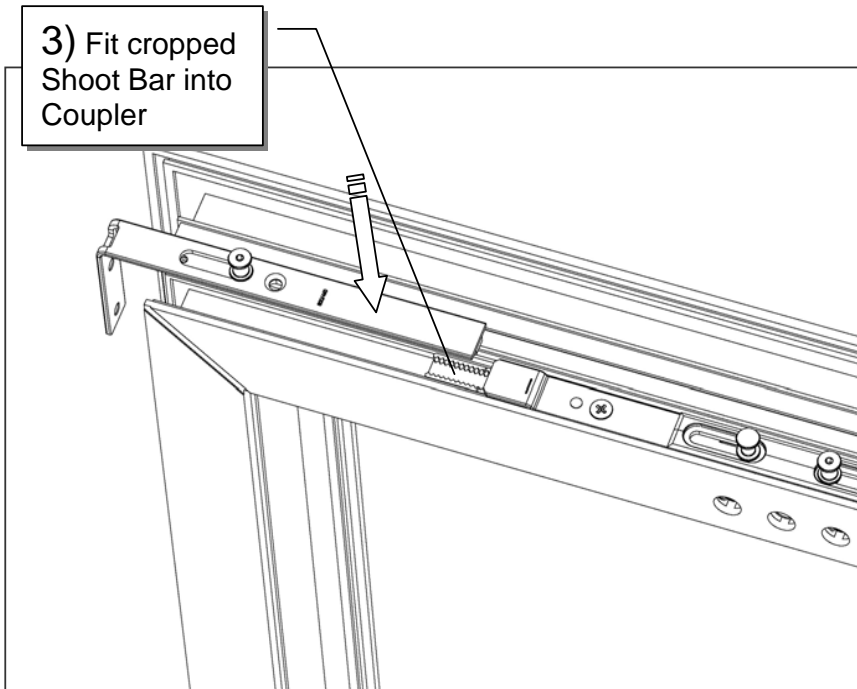
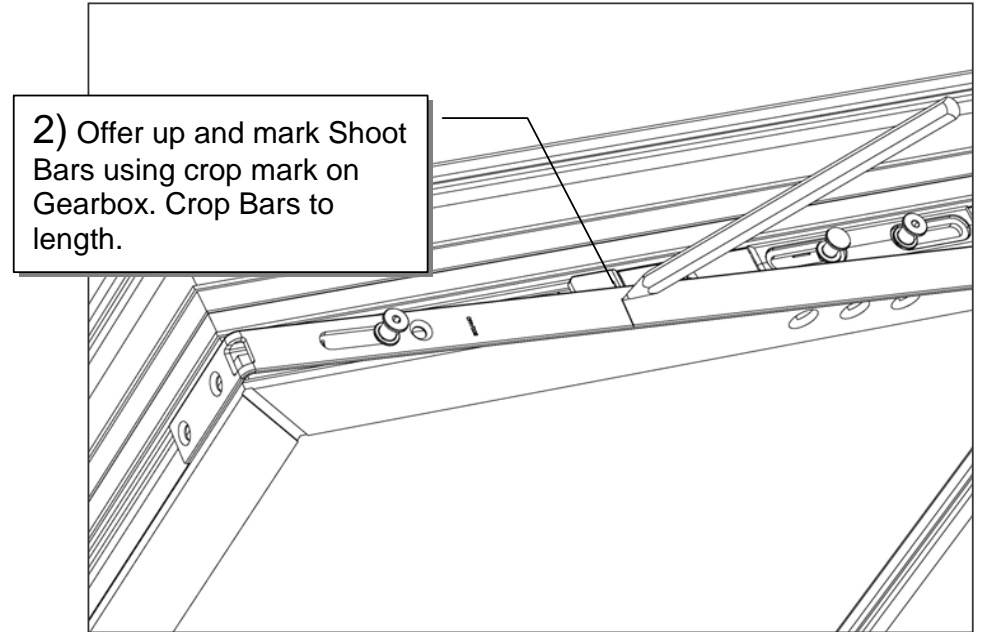
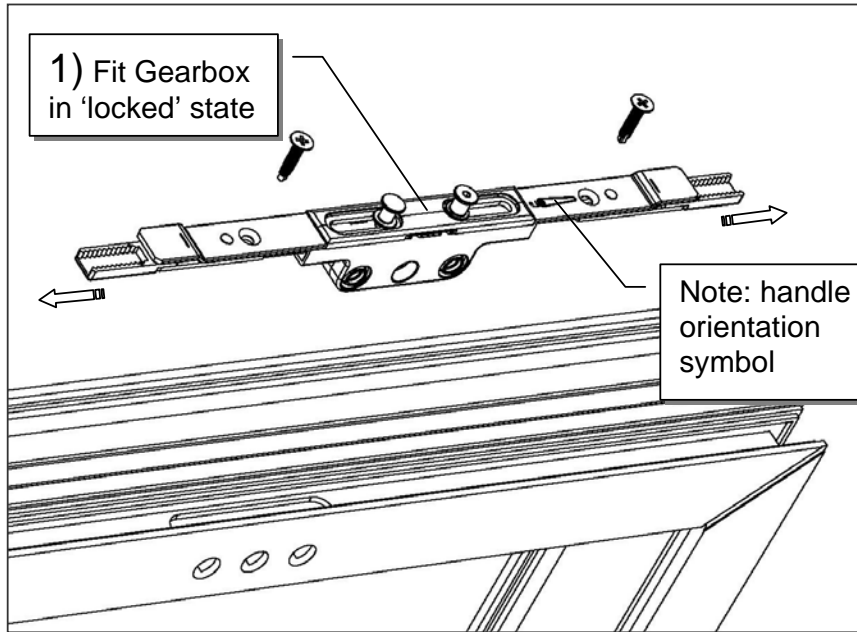
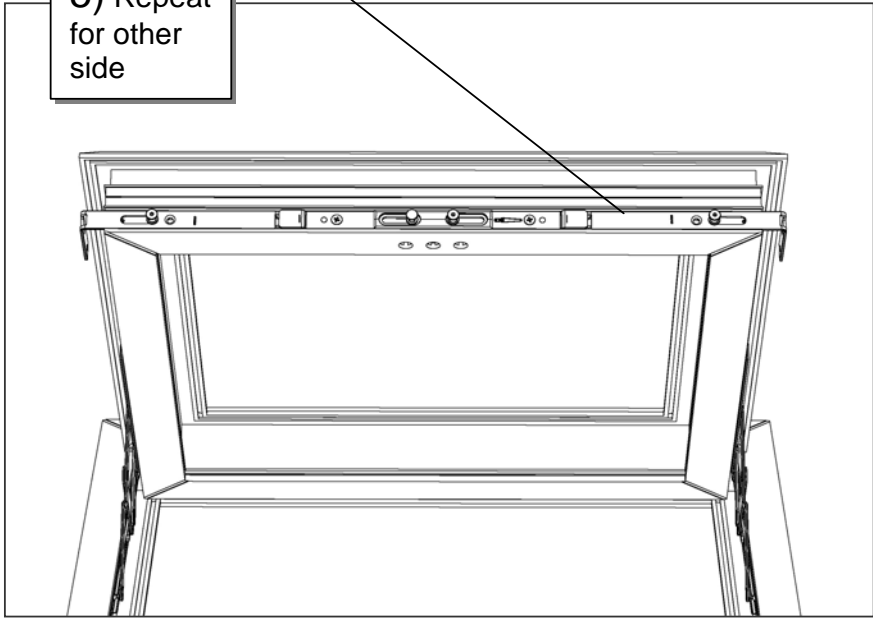


Security Plus Shoot bolt Fitting Guide

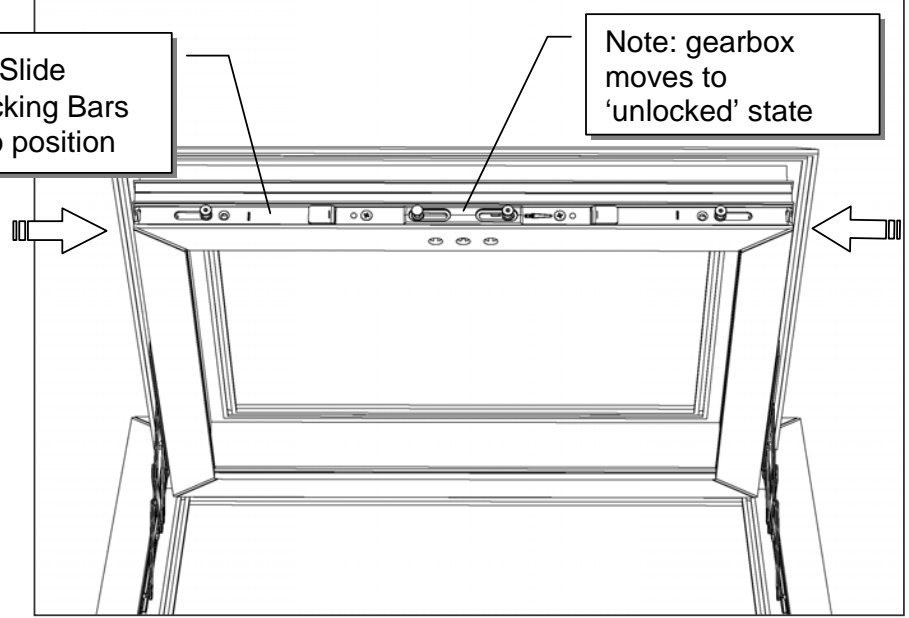
SP Shoot bolt fitting guide.pdf



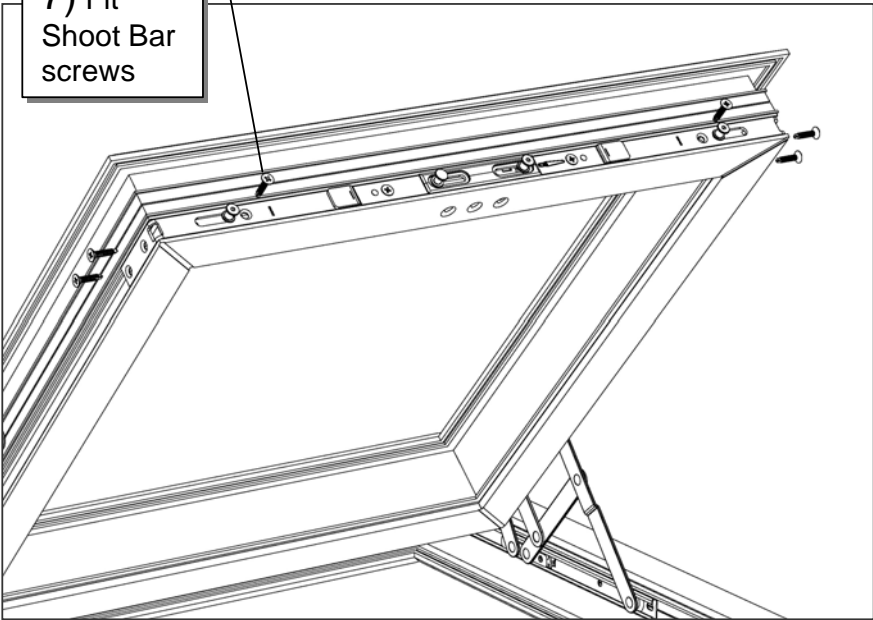
5) Repeat for other side



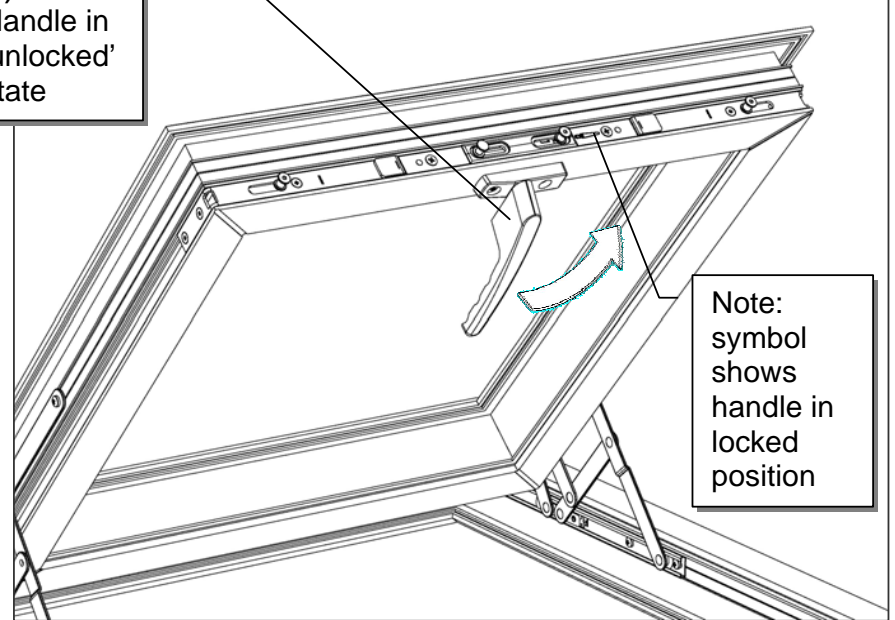
6) Slide Locking Bars into position

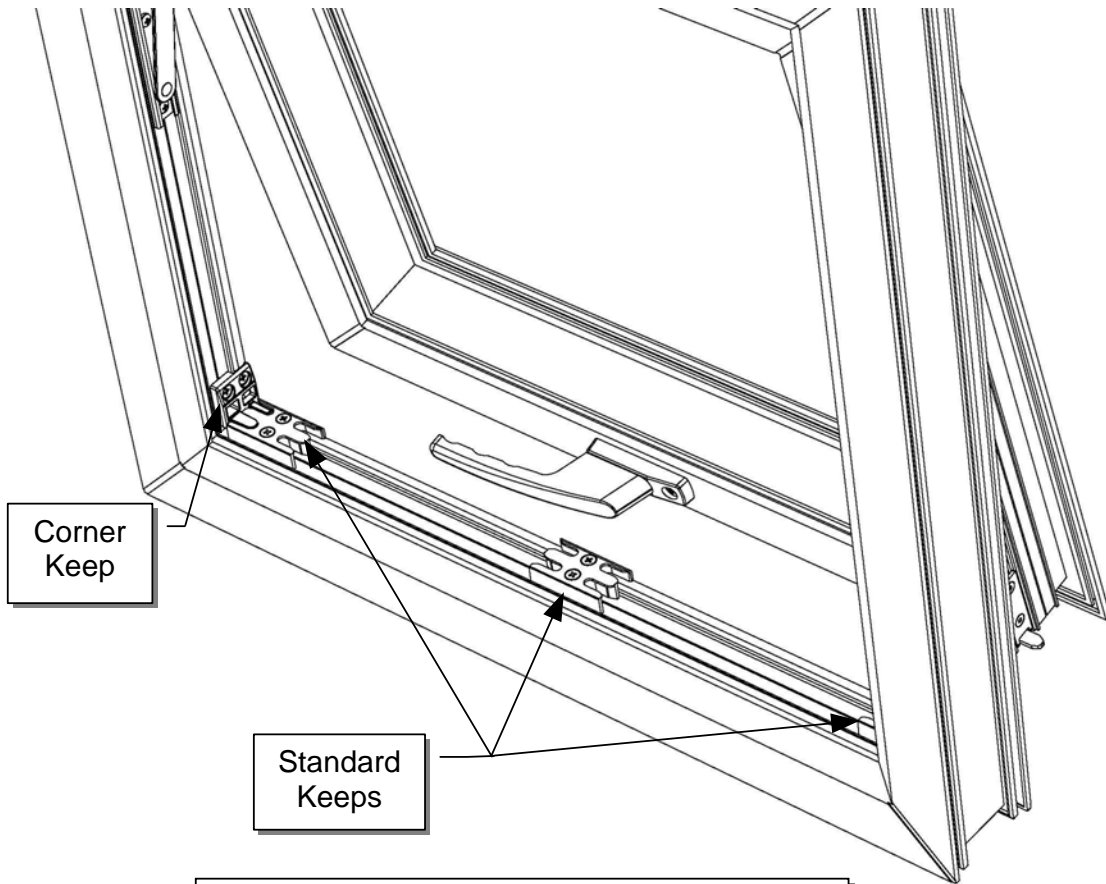


7) Fit Shoot Bar screws

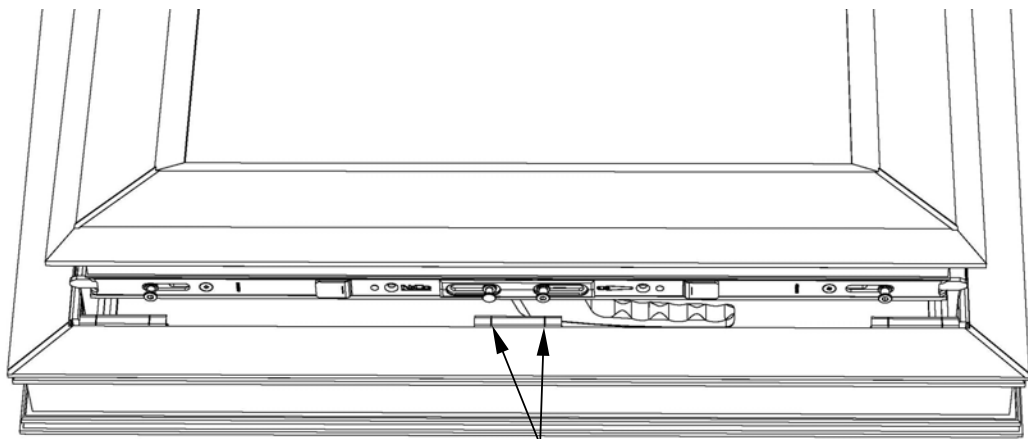


8) Fit Handle in 'unlocked' state

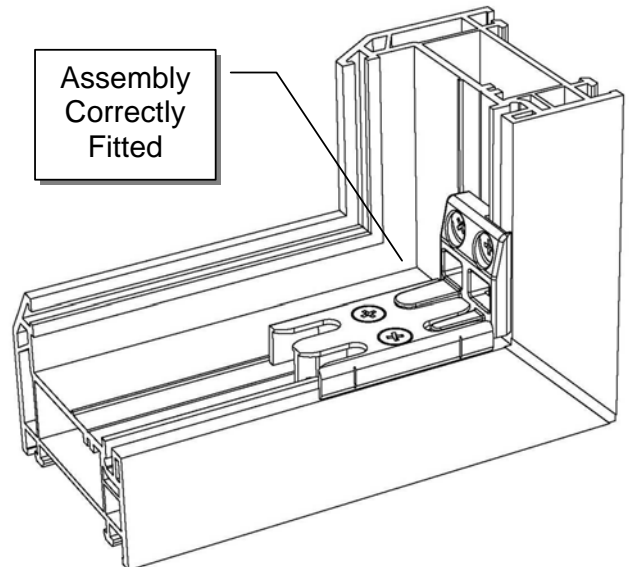
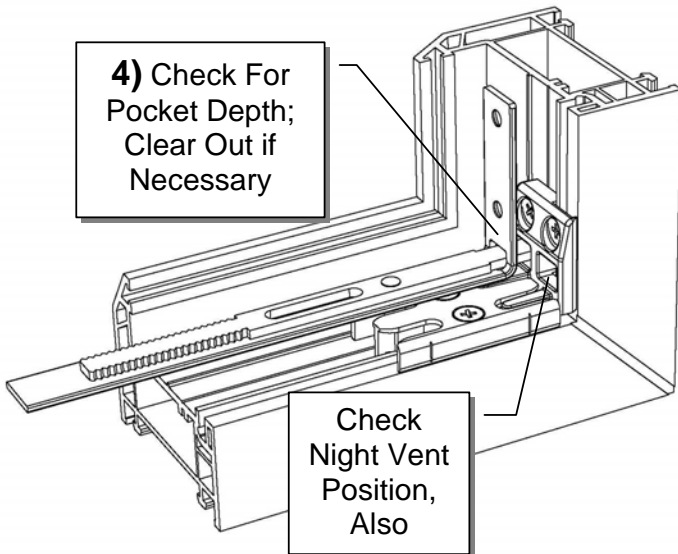
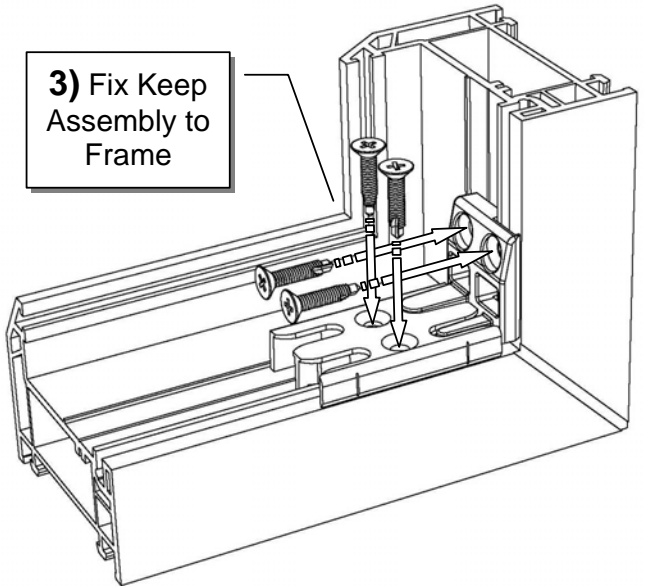
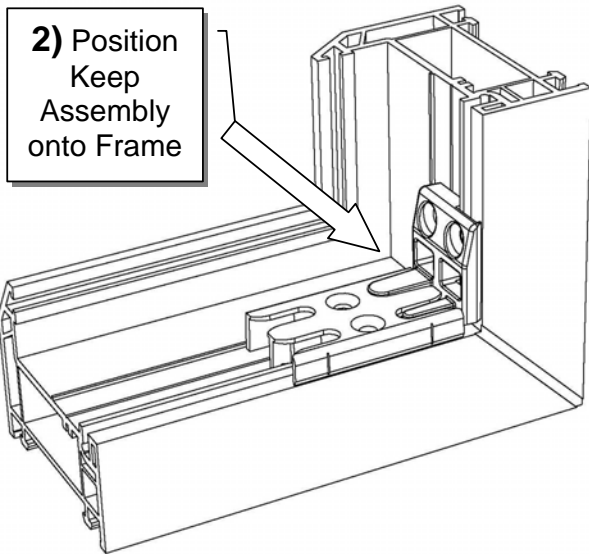
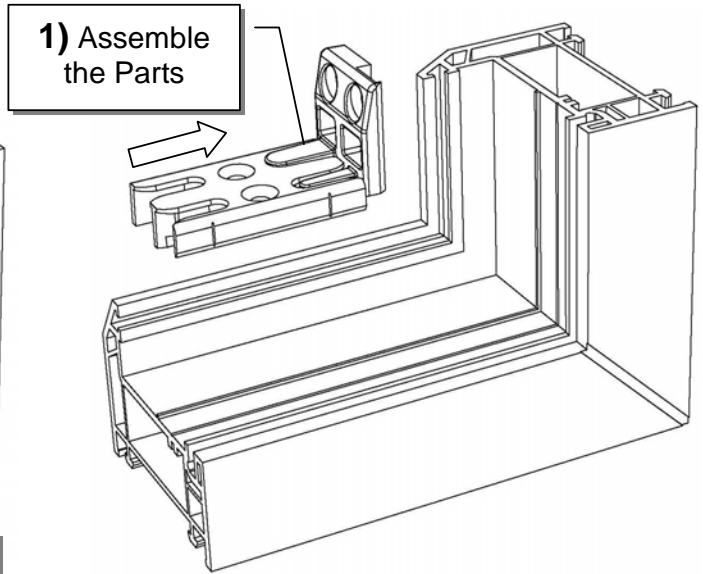
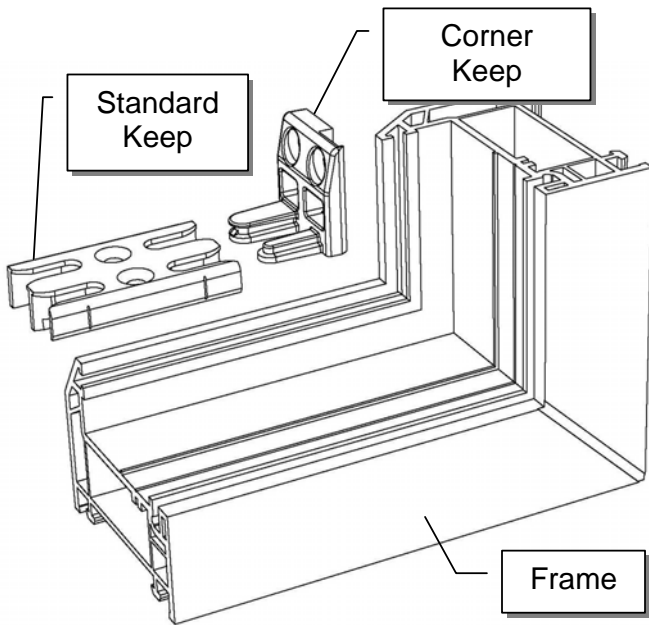


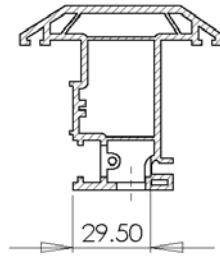
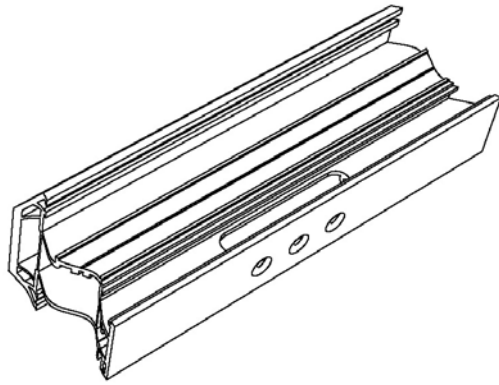


Position the middle keep as shown, so that the locking cams line up with the index marks on the front edge of the keep. Fix in position.

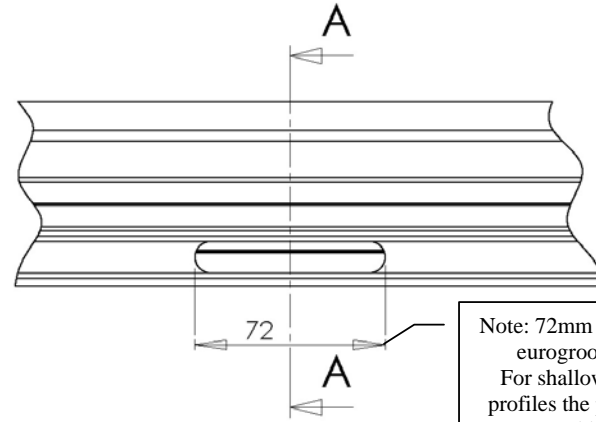


Note: Locking Cams aligned with index marks

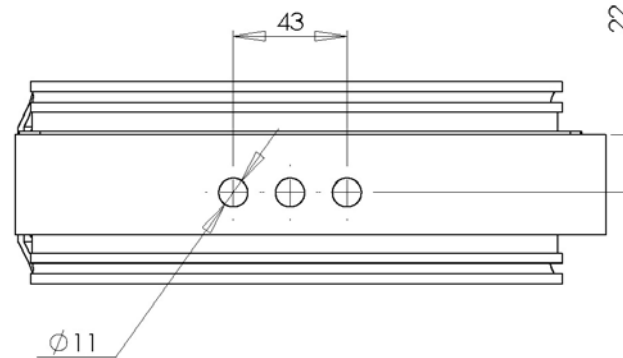
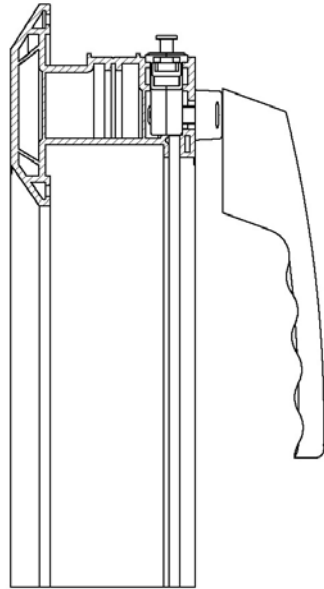




SECTION A-A



Note: 72mm is for full depth eurogroove profiles.
For shallow eurogroove profiles the prep should be 110mm



Typical Window Sash Prep Detail