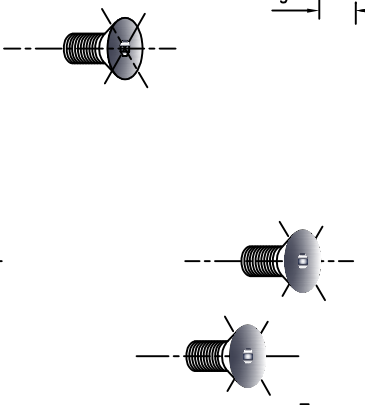
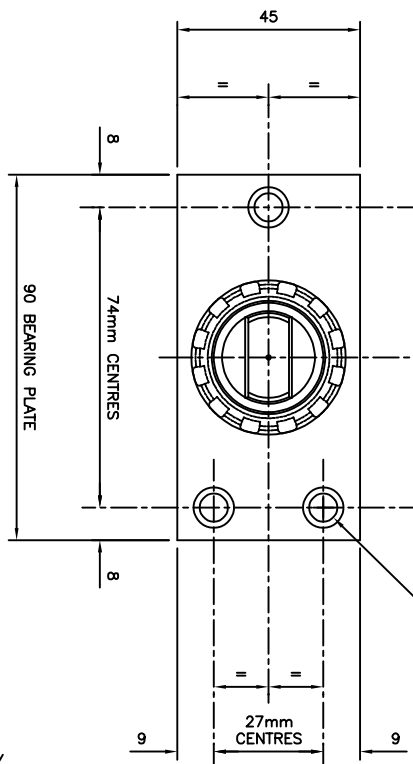
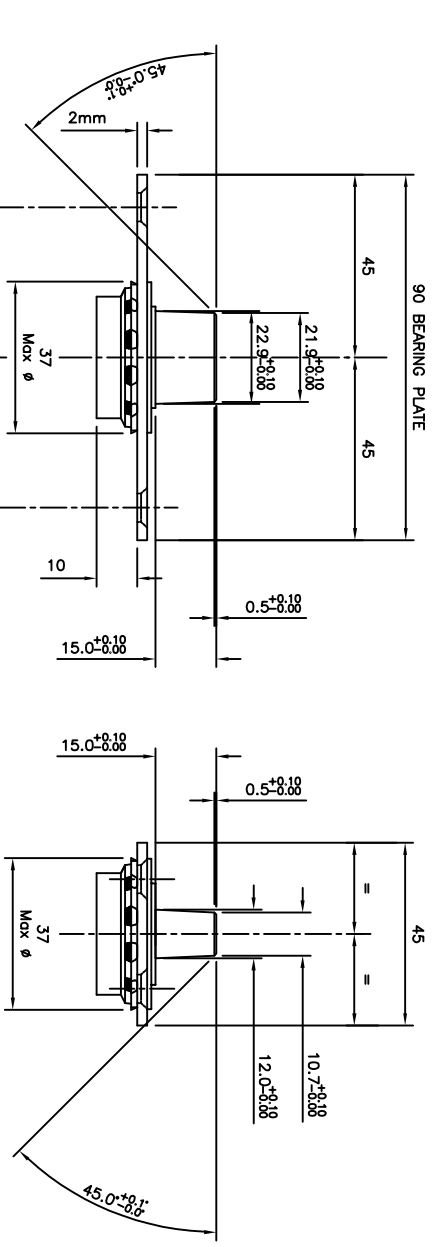
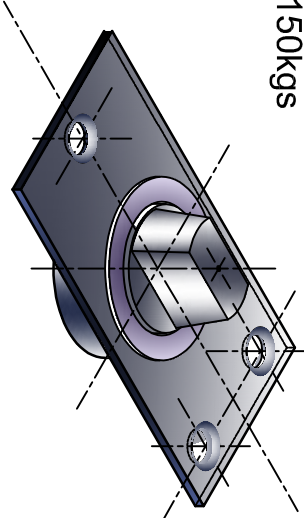


# BOTTOM PIVOT '109621'



MAX DOOR LEAF WEIGHT - 150kgs



## GENERAL TOLERANCES FOR LINEAR AND ANGULAR DIMENSIONS (DIN ISO 2768 T1)

### LINEAR DIMENSIONS:

Permissible deviations in mm for ranges in nominal lengths	Tolerance class designation (description)		
	f (fine)	m (medium)	c (coarse)
0.5 up to 3	±0.05	±0.1	±0.2
over 3 up to 6	±0.05	±0.1	±0.3
over 6 up to 30	±0.1	±0.2	±0.5
over 30 up to 120	±0.15	±0.3	±0.8
over 120 up to 400	±0.2	±0.5	±1.2
over 400 up to 1000	±0.3	±0.8	±2.0
over 1000 up to 2000	±0.5	±1.2	±3.0
over 2000 up to 4000	-	±2.0	±4.0

### EXTERNAL RADIUS AND CHAMFER HEIGHTS

Permissible deviations in mm for ranges in nominal lengths	Tolerance class designation (description)		
	f (fine)	m (middle)	c (coarse)
0.5 up to 3	±0.2	±0.2	±0.4
over 3 up to 6	±0.5	±0.5	±1.0
over 6	±1.0	±1.0	±2.0

### ANGULAR DIMENSIONS

Permissible deviations in degrees and minutes for ranges in nominal lengths	Tolerance class designation (description)			
	f (fine)	m (middle)	c (coarse)	v (very coarse)
up to 10	±1°	±1°30'	±1°30'	±3°
over 10 up to 50	±0°30'	±0°30'	±1°	±2°
over 50 up to 120	±0°20'	±0°20'	±0°30'	±1°
over 120 up to 400	±0°10'	±0°15'	±0°15'	±0°30'
over 400	±0°5'	±0°5'	±0°10'	±0°20'

Revision	Drawn	Date	Reason for Change
B	PRC	23/12/22	Tolerances defined
A			

Drawing No. PIVOT-04

Title '109621' GEZE BOTTOM PIVOT FOR SWING DOORS

Drawn	Appd	Scale	Date
GH		NTS	OCT 08

GEZE UK Ltd  
Blenheim Way  
Fradley Park  
Lichfield  
Staffordshire. TEL 01543 443000  
WS13 8SY FAX 01543 443001

www.geze.com

This drawing is the intellectual property of Geze and is not to be reproduced or used in any way without the written permission of Geze. The user of this drawing is advised to check the latest version of the drawing and to ensure that it is up to date. Geze is not responsible for any errors or omissions in this drawing. Geze reserves the right to change the drawing without notice.