

Smart Touch
Smart Fi+

Congratulations on purchasing this fridge, which has been designed using the latest technologies for an easy-to-use, environmentally friendly appliance.

We recommend you read this guide and the technical datasheet carefully to find out everything you need to know about your new fridge.

CONTENTS

EN

SAFETY INFORMATION	2--2
INSTALLATION	3--3
OPERATION	3--3
SMART TOUCH	4--4
SMART FI+	5--5
CONSERVATION	6--6
FREEZING	7--7
DEFROSTING	7--7
MAINTENANCE AND CLEANING	8--8
ENERGY SAVINGS	8--8
AVOIDING NOISES	8--8
REVERSIBILITY OF THE DOOR	8--9
PRODUCT DIMENSION AND BUILT-IN COMPARTMENT ..	9--10
INSTALLATION OF THE APPLIANCE IN THE COLUMN....	10--10
COPLING OF THE PANELS OF THE BUILT-IN COLUMN OF THE APPLIANCE DOORS	11--11
PRECAUTIONS FOR THE CORRECT OPERATION	11--11
SUSPENDING USE OF THE APPLIANCE	11--11
TROUBLESHOOTING	12--12

Thank you for purchasing this product.

Before using your refrigerator, please carefully read this instruction manual in order to maximize its performance. Store all documentation for subsequent use or for other owners. This product is intended solely for household use or similar applications such as:

- the kitchen area for personnel in shops, offices and other working environments
- on farms, by clientele of hotels, motels and other environments of a residential type
- at bed and breakfasts (B & B)
- for catering services and similar applications not for retail sale.

This appliance must be used only for purposes of storage of food, any other use is considered dangerous and the manufacturer will not be responsible for any omissions. Also, it is recommended that you take note of the warranty conditions.

SAFETY INFORMATION

The refrigerator contains a refrigerant gas (R600a: isobutane) and insulating gas (cyclopentane), with high compatibility with the environment, that are, however, inflammable.

We recommend that you follow the following regulations so as to avoid situations dangerous to you:

- Before performing any operation, unplug the power cord from the power socket.
- The refrigeration system positioned behind and inside the refrigerator contains refrigerant. Therefore, avoid damaging the tubes.
- If in the refrigeration system a leak is noted, do not touch the wall outlet and do not use open flames. Open the window and let air into the room. Then call a service centre to ask for repair.
- Do not scrape with a knife or sharp object to remove frost or ice that occurs. With these, the refrigerant circuit can be damaged, the spill from which can cause a fire or damage your eyes.
- Do not install the appliance in humid, oily or dusty places, nor expose it to direct sunlight and to water.
- Do not install the appliance near heaters or inflammable materials.
- Do not use extension cords or adapters.
- Do not excessively pull or fold the power cord or touch the plug with wet hands.
- Do not damage the plug and/or the power cord; this could cause electrical shocks or fires.
- It is recommended to keep the plug clean, any excessive dust residues on the plug can be the cause fire.
- Do not use mechanical devices or other equipment to hasten the defrosting process.
- Absolutely avoid the use of open flame or electrical equipment, such as heaters, steam cleaners, candles, oil lamps and the like in order to speed up the defrosting phase.
- Do not use or store inflammable sprays, such as spray paint, near the refrigerator. It could cause an explosion or fire.
- Do not use electrical appliances inside the food storage compartments, unless they are of the type recommended by the manufacturer.
- Do not place or store inflammable and highly volatile materials such as ether, petrol, LPG, propane gas, aerosol spray cans, adhesives, pure alcohol, etc. These materials may cause an explosion.
- Do not store medicine or research materials in the refrigerator. When the material that requires a strict control of storage temperatures is to be stored, it is possible that it will deteriorate or an uncontrolled reaction may occur that can cause risks.
- Maintain the ventilation openings in the appliance enclosure or in the built-in structure, free of obstruction.
- Do not place objects and/or containers filled with water on the top of the appliance.
- Do not perform repairs on this refrigerator. All interventions must be performed solely by qualified personnel.
- This appliance can be used by children aged from 8 years and above and by persons with reduced physical, sensory or mental capabilities or with a lack of experience and knowledge, provided that they have been given adequate supervision or instruction concerning how to use the appliance in a safe way and understand the hazards involved.

Children should not play with the appliance. Cleaning and user maintenance should not be made by children without supervision.

Turning the knob fully counterclockwise, you will hear a click which corresponds to the switch-off of the product.

When the appliance is installed, the electrical cord and the current socket must be easily reached.

The socket is compatible with the plug of the appliance. If not, request replacement of the plug by an authorized technician; do not use extension cords and/or multiple connectors.

Do not touch the internal parts or frozen food with moist or wet hands as it can cause burns.

Scrapping old appliance



This appliance is marked according to the European directive 2012/19/EU on Waste Electrical and Electronic Equipment (WEEE). WEEE contains both polluting substances (which can cause negative consequences for the environment) and basic components (which can be re-used). It is important to have WEEE subjected to specific treatments, in order to remove and dispose properly all pollutants, and recover and recycle all materials.

Individuals can play an important role in ensuring that WEEE does not become an environmental issue; it is essential to follow some basic rules:

- WEEE should not be treated as household waste;
- WEEE should be handed over to the relevant collection points managed by the municipality or by registered companies. In many countries, for large WEEE, home collection could be present.

In many countries, when you buy a new appliance, the old one may be returned to the retailer who has to collect it free of charge on a one-to-one basis, as long as the equipment is of equivalent type and has the same functions as the supplied equipment.

Conformity

By placing the **CE** mark on this product, we are confirming compliance to all relevant European safety, health and environmental requirements which are applicable in legislation for this product.

INSTALLATION

WARNINGS:

- Do not install the appliance in a damp or wet location as this could compromise the insulation and result in leakage.
- Furthermore, on the exterior of the same, condensate could accumulate
- Do not place the appliance in locations outside or near sources of heat or exposed to direct sunlight.

The appliance operates properly within the range of environmental temperatures indicated:

- +10 +32°C for the climatic class SN
- +16 +32°C for the climatic class N
- +16 +38°C for the climatic class ST
- +16 +43°C for the climatic class T

(See the nameplate of the product)

- Do not place containers with liquids on top of the appliance.
- Wait at least 3 hours after final placement before placing the appliance in operation.

Electrical connection

After shipping, place the appliance vertically and wait at least 2 - 3 hours before connecting it to the electrical system. Before inserting the plug into the electrical socket, make sure that:


- The socket is earthed and in compliance with the law.
- The socket can withstand the maximum power load of the appliance, as indicated on the nameplate of the refrigerator.
- The power supply voltage is within the amounts indicated on the nameplate of the refrigerator.
- The cord must not be folded or compressed.
- The cord must be checked regularly and replaced solely by authorized technicians.
- The manufacturer declines any liability whenever these safety measures are not respected.

Electrical connection (for U.K. only)

Plug your appliance into the power socket.

If the plug we supply does not fit :

- **CUT IT OFF AND DESTROY IT!**
You can't use it on other appliances, and the exposed wires could be dangerous if anyone plugged it in.
- Fit a suitable plug, as follows:

Connect	to the terminal in the plug
Green and yellow wire	Marked with the letter E, OR marked with the Earth symbol,  OR coloured green, OR coloured green and yellow.
Blue wire	Marked N, OR coloured black.
Brown wire	Marked L, OR coloured red.

Appliance start-up

Remove all wrapping/packaging present inside the appliance and clean with water and baking soda or neutral soap.

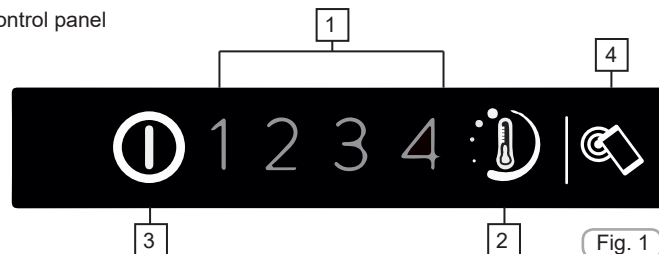
After the installation, wait 2 - 3 hours to allow time for the refrigerator/freezer to stabilize at normal working temperature, before placing fresh or frozen foods inside.

If the power cord becomes disconnected, wait at least five minutes before restarting the refrigerator/ freezer. At this point, the appliance is ready for use.

OPERATION

Turning On/Off with internal User Interface

Control panel



1. Temperature indicator LED
2. Temperature control
3. ON/OFF button
4. Smart Touch button

Turning the appliance ON:

Plug the appliance in, if all the temperature indicators LEDs are off, press ON/OFF (3) for 1 second. When you release the ON/OFF button (3) a temperature light will come on and the appliance will beep.

Turning the appliance OFF:

Press the ON/OFF button (3) for 1 second, when you release it, the temperature light will go out and the appliance will beep. In the event of a power failure, when the power comes back on, the appliance will run using the last saved setting.

Setting the temperature

Press the button for setting the temperature until you reach the level you want where level 1 is the warmest and level 4 is the coldest. Under normal operating conditions, we recommend using an intermediate setting (level 2)

On/Off 1 2 3 4
Press button (2) for less than 2 seconds to change the temperature level.

On/Off 1 2 3 4

Advanced settings menu:

Use this menu to set an intermediate level.

On/Off 1 2 3 4
Press button (2) for more than 2 seconds. When you release it, LED 2 will flash

On/Off 1 2 3 4
The next time you press button (2) for less than 2 seconds, the intermediate level will be set. This operation works in cycles every time you press the button.

On/Off 1 2 3 4

On/Off 1 2 3 4

If you do not press the button (2) for more than 5 seconds, the settings will be saved.

The temperature levels in advanced settings are set from warmest to coldest e.g. 2/2.1/2.3/2.4 which means there are 4 sub-levels for every main level.

Door open alarm

If the door is left open for longer than 90 seconds, an alarm is sounded. To turn it off, simply close the door or press button 2.

Position	Conditions
1-2	Summer or ambient temperature between 25-35 °C
2-3	Spring, autumn or ambient temperature between 15-25 °C
3-4	Winter, or ambient temperature between 5-15 °C

SMART TOUCH (only for connected product)

This appliance is equipped with **Smart Touch** technology that allows you to interact, via the App, with smartphones based on Android operating system and equipped with NFC (Near Field Communication) function.

- Download on your smartphone the **Candy simply-Fi App**.

The **Candy simply-Fi App** is available for devices running both **Android** and **iOS**, both for tablets and for smartphones. However, you can interact with the machine and take advantage of the potential offered by **Smart Touch** only with **Android** smartphones equipped with **NFC** technology, according to following functional scheme:

Android smartphone with NFC technology	Interaction with the machine + contents
Android smartphone without NFC technology	Contents only
Android Tablet	Contents only
Apple iPhone	Contents only
Apple iPad	Contents only

FUNCTIONS

The main functions available using the App are:

- **Fine Temperature Level Setting** – To set temperature level also by intermediate steps (0,5; 1; 1,5; 2; 2,5; 3; 3,5; 4; 4,5)
- **Super Boost** – To activate an additional boost to cool down quickly both fridge and freezer.
- **Eco Mode** – Automatically the entire refrigerator is setted on level 2 (+5°, -18°)
- **My Statistics** – Cooling statistics and tips for a more efficient use of your machine.
- **Smart Care** – Direct link to User Manual and help on line.

Get all the details of the **Smart Touch** functions, browsing the App in **DEMO** mode or go to: www.candysmarttouch.com

HOW TO USE ONE TOUCH

FIRST TIME - Machine registration

- Enter the **"Settings"** menu of your Android smartphone and activate the **NFC** function inside the **"Wireless & Networks"** menu.

Depending on the smartphone model and its **Android OS** version, the process of the **NFC** activation may be different. Refer to the smartphone manual for more details.

- Turn on the **Smart Touch** button on the User Interface by pressing 2 seconds to enable the **NFC** antenna on the Sky Led. The **Smart Touch** label switches on.

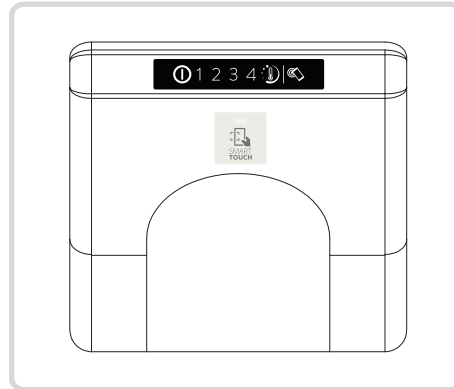


- Open the App, create the user profile and register the appliance following the instructions on the phone display or the **"Quick Guide"** attached on the machine.

DMore information, F.A.Q. and the video for an easy registration are available on: www.candysmarttouch.com/how-to

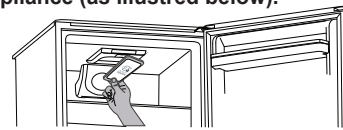
NEXT TIME – Regular usage

- Every time you want to manage the machine through the App, first you have to enable the **Smart Touch** mode by turning on the **Smart Touch** button.
- Make sure you have unlocked your phone (from stand-by mode) and you have activated the **NFC** function; then, follow the steps mentioned earlier.
- If you want to activate a function (e.g. **Smart Boost** cycle), select it in the App.
- Follow the instructions on the phone display, **KEEPING IT ON** the **Smart Touch** logo on the Sky Led, when requested to do so by the App.



NOTES:

Place your smartphone so that the **NFC** antenna on its back matches the position of the **Smart Touch** logo on the appliance (as illustrated below).



If you do not know the position of your **NFC** antenna, slightly move the smartphone in a circular motion over the **Smart Touch** logo until the App confirms the connection. In order for the data transfer to be successful, it is essential **TO KEEP THE SMARTPHONE ON THE DASHBOARD DURING THESE THE FEW SECONDS OF THE PROCEDURE**; a message on the device will inform about the correct outcome of the operation and advise you when it is possible to move the smartphone away.

Thick cases or metallic stickers on your smartphone could affect or prevent the transmission of data between machine and telephone. If necessary, remove them.

The replacement of some components of the smartphone (e.g. back cover, battery, etc...) with non-original ones, could result in the **NFC** antenna removal, preventing the full use of the App.

The management and the control of the machine via App is only possible **"by proximity"**: it is therefore not possible to perform remote operations (e.g.: from another room; outside of the house).

SMART Fi+

This appliance is equipped with **SMART Fi+** technology that allows you to control it remotely via App, thanks to Wi-Fi function.

MACHINE ENROLLMENT (ON APP)



- Download the **Candy simply-Fi** App on your device.

The Candy simply-Fi App is available for devices running both Android and iOS, both for tablets and for smartphones.

Get all the details of the SMART Fi+ functions by browsing the App in DEMO mode.

- Open the App, create the user profile and enroll the appliance following the instructions on the device display or the "**Quick Guide**" attached on the machine. This operation is necessary just for the first installation.



Using an Android smartphone equipped with NFC technology (Near Field Communication), the enrollment process is simplified (Easy Enrollment); in this case, when indicated by App

- **PRESS** the button  (single long pressure) until the NFC LED switching on  and Wi-Fi blinking LED.
- Put the smartphone on the SMART Fi+ logo on the dashboard until the data download confirmation to the App.
- Finalize the enrollment following the instruction on the smartphone's screen follow the instructions on the phone display, **PLACE AND KEEP IT NEAR** the SMART Fi+ logo on the machine, when requested to do so by the App.

The replacement of some components of the smartphone (e.g. back cover, battery, etc...) with non-original ones, could result in the NFC antenna removal.

Refrigerator usage from remote by App



When the enrollment is completed, there will be the following condition:

- Wi-Fi LED switched on 
- NCF LED switched off 

From now on it will be possible to manage the product by using the buttons on the display or using the App: both of them will be aligned according to the last command given

WI-FI RESET

To reset Wi-Fi, use the button  with a single long pressure. There will be the following condition:

- Blinking Wi-Fi LED 
- Switched on NFC LED 

Wi-Fi reset procedure must be done in case of:

- Enrollment (check the Quick Guide attached on the product)
- Power black out
- Router exchange
- Changing of Wi-Fi Network
- Appliance transfer
- Some kind of customer service assistance

In case of reset, remove the product from own App profile and proceed with the new enrollment.

CONSERVATION

- To maintain the best flavour, nourishment and freshness of foods, it is advisable to store them in the refrigerator compartment as shown in fig. 4 below, making sure to wrap them in aluminium or plastic sheets or in appropriate covered containers to avoid cross-contamination.

Refrigerator zone

Fruit / Vegetables

- To decrease fruit and vegetable moisture losses they must be wrapped in plastic materials such as, for example, films or bags and then inserted in the fruit/vegetable zone. In this way rapid deterioration is avoided.

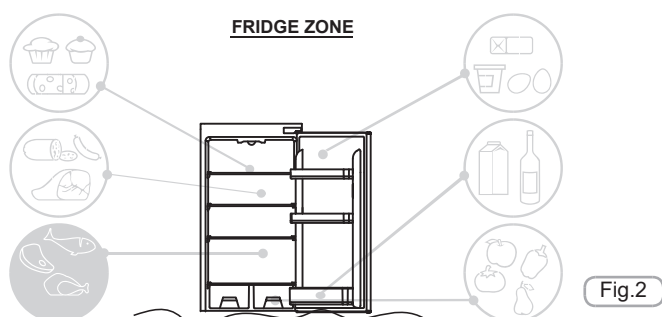
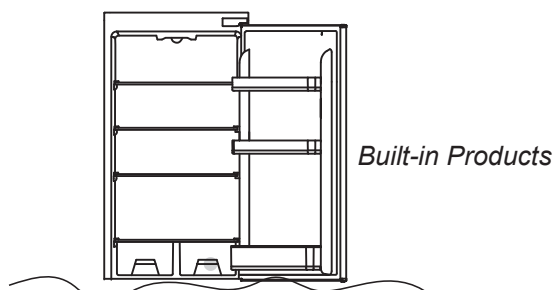


Fig.2

Refrigerated section fresh zone

(not all models)

The zone shown below is recommended for meat, fish, poultry, etc.; do not store fruit and vegetables because they can freeze;



Built-in Products

Indicator of the temperature in the coldest zone

(not all models)

Some models are equipped with an indicator of the temperature in the refrigerator compartment in the coldest zone, for you to be able to control the average temperature.

This symbol indicates the coldest zone of the refrigerator. (fig. 3)

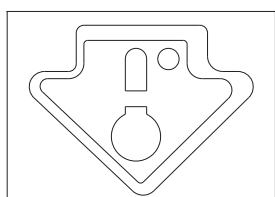


Fig.3

Check that on the indicator of the temperature, the word OK is clearly shown. (fig.4)

If the word does not appear, this means that the temperature is too high:

adjust the temperature to a cooler setting and wait for about 10 hours.

Recheck the indicator: if necessary, proceed with a new adjustment.

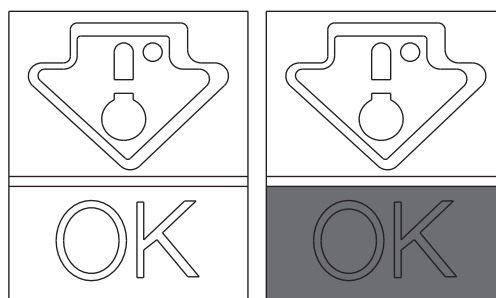


Fig.4

NOTE:

If large quantities of food are inserted or the refrigerator door frequently opened, it is normal for the indicator fails to show OK. Wait at least 10 h before adjusting the knob to a higher setting.

Freezer zone

Use the table below for the compartments. * ** **

Freezing process can only occur in the compartments. * ** **

2 - 3 MONTHS			
4 - 6 MONTHS			
6 - 8 MONTHS			
10 - 12 MONTHS			

Practical recommendations

Place food on the shelves in a homogeneous manner to allow air to circulate properly and to cool it.

- Avoid contact between the food and the far end walls of the refrigerator compartment.
- Do not introduce hot foods as they can cause deterioration of existing ones and increase energy consumption.
- Remove the wrappings of foods before inserting them.
- Do not put in dishes or other containers unless previously washed.
- Do not obstruct the cold air ventilator openings with food.
- Do not cover the glass shelf of the vegetable bin to allow for proper air circulation.
- Do not store bottles in the freezer compartment as they can burst when frozen.
- In the case of prolonged power outage, keep the doors closed so that foods remain cold as long as possible.
- The installation of the appliance in a hot and humid location, with frequent door openings and storing large amounts of vegetables can cause the formation of condensate and affect the performance of the unit itself.
- To prevent excessive energy consumption, the frequent or prolonged opening of the doors is not recommended.

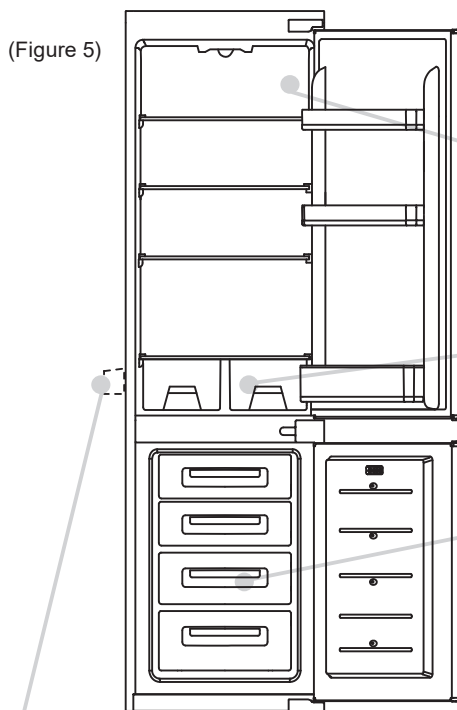
FREEZING

- Foods must be fresh.
- Freeze small amounts of food at a time in order to freeze quickly. Never exceed the maximum amount indicated on the rating label.
- During freezing, do not open the freezer door.
- Food must be sealed, airtight.
- Separate food to be frozen by those already frozen.
- Label bags or containers to keep an inventory of frozen foods.
- Once defrosted, do not ever refreeze foods and consume them promptly.

NOTE:

The temperature doesn't usually need to be adjusted. Only in case you find excessive cooling of the products contained in the refrigerator compartment, gently set the warmest temperature levels (1,2). On completion of freezing, set the warmest temperature levels (1,2).

The rating plate states the maximum quantity of foods that can be frozen, (see figure 5).



DEFROSTING

Defrosting the refrigerator compartment

During normal functioning, the refrigerator is automatically defrosted. There is no need to dry the drops of water present on the rear wall or to eliminate the frost (depending on functioning). The water is conveyed to the rear part through the drain hole found there and the heat of the compressor causes it to evaporate.

- Keep the drainage pipe (fig.5) clean in the refrigerator compartment to keep it free of water.

Defrosting of the fridge compartment occurs automatically in this product.

A small amount of frost or drops of water on the back of the fridge compartment when the fridge is working is normal.

Make sure the water outlet is always clean and make sure foods do not touch the back or sides of the fridge compartment.

We recommend you defrost the freezer area when the layer of frost is more than 3 mm thick.

N.B. Here you will find your appliance rating plate: it includes all the data to be transmitted to the Customer Service should a fault arise.

Important: if your ambient temperature is high, the appliance may operate continuously, thus building up excessive frost on the inner wall of the fridge. In this case, turn the fridge knob to a warmer setting (1-2).

The most energy-saving configuration requires drawers, food box and shelves to be positioned in the product, please refer to the above pictures.

Defrosting the freezer compartment (static products without NO-FROST technology)

When the layer of frost present in the freezer compartment exceeds 3mm, it is recommended to proceed with the defrosting as it increases energy consumption.

- 1) Press the ON / OFF button (3) for 1 second.
- 2) Disconnect the power cord.
- 3) Remove the frozen food and temporarily place them in a cool place.
- 4) Leave the freezer door open to speed defrosting.
- 5) Collect the water on the bottom of the product.
- 6) Dry the freezer.
- 7) Reconnect the power cord and set the desired values.
- 8) Wait a moment and reintroduce the frozen foods.

WARNING:

Absolutely avoid the use of open flames or electrical appliances, such as heaters, steam cleaners, candles, oil lamps and the like to accelerate the defrosting phase.

Do not scrape with a knife or sharp object to remove frost or ice present. These can damage the refrigerant circuit, the leakage of which can cause a fire or damage your eyes.

Defrosting the freezer compartment (NO-FROST products)

Defrosting is automatic.

MAINTENANCE AND CLEANING

Lighting

LED lighting

The product is equipped with LED lights, please contact the Technical Assistance Service in case of replacement.

Compared to traditional light bulbs, the LEDs last longer and are environmentally friendly.

Cleaning

NOTICE:

- Before each operation, remove the refrigerator plug from the power socket to prevent electric shocks.
- Do not pour water directly on the outside or inside of the refrigerator itself. This could lead to oxidation and damaging of the electrical insulation.

IMPORTANT:

To prevent cracking of the inside surfaces and plastic parts, follow these suggestions:

- Wipe away any food oils adhered to plastic components.
- The internal parts, gaskets and external parts can be cleaned with a cloth with warm water and baking soda or a neutral soap. Do not use solvents, ammonia, bleach or abrasives.
- Remove the accessories, for example, the shelves, from the refrigerator and from the door. Wash in hot soapy water. Rinse and thoroughly dry.
- The back of the appliance tends to accumulate dust which can be eliminated with the use of a vacuum cleaner, after having switched off and disconnected the appliance from the electrical outlet. This provides greater energy efficiency.

ENERGY SAVINGS

For better energy savings, we suggest:

- Installing the appliance away from heat sources and not exposed to direct sunlight and in a well ventilated room.
- Avoid putting hot food into the refrigerator to avoid increasing the internal temperature and therefore causing continuous functioning of the compressor.
- Do not excessively stuff foods so as to ensure proper air circulation.
- Defrost the appliance in case there is ice (see DEFROSTING) to facilitate the transfer of cold.
- In case of absence of electrical energy, it is advisable to keep the refrigerator door closed.
- Open or keep the doors of the appliance open as little as possible
- Avoid adjusting the thermostat to temperatures too cold.
- Remove dust present on the rear of the appliance (see CLEANING).

AVOIDING NOISES

During its operation, the refrigerator emits some absolutely normal noises, such as:

- **HUMMING**, the compressor is running.
- **RUMBLINGS, RUSTLINGS** and **HISSING**, the refrigerant is flowing through the tubes.
- **TICKS** and **CLICKS**, the operation shutdown of the compressor.

Small measures to reduce the vibration noises:

- **Containers touch each other**: Avoid contact between containers and glass recipients.

- **Drawers, shelves, bins vibrate**: Check the proper installation of internal accessories.

NOTE:

The refrigerant gas produces noise even when the compressor is off; it is not a defect, it is normal.

If you hear a clicking sound inside the appliance, it is normal as due to expansion of the various materials.

REVERSIBILITY OF THE DOOR

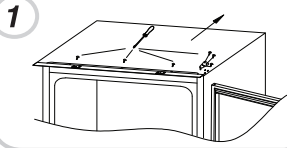
The doors of the appliance can be reversed so as to allow the opening to the right or left according to exigency.

NOTICE:

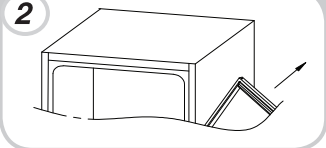
- Inversion of the doors must be performed by qualified technical personnel.
- Inversion of the doors is not covered by the warranty.

REVERSING THE OPENING OF THE DOORS

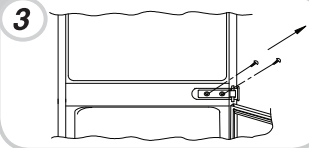
Remove the upper plate and hinge by screw driver.



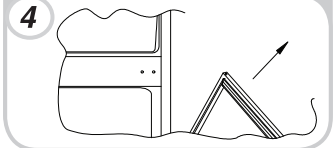
Remove the upper door.



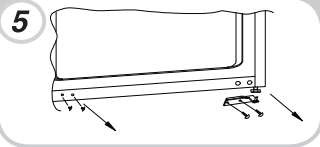
Remove the middle hinge and its connecting pin underneath.



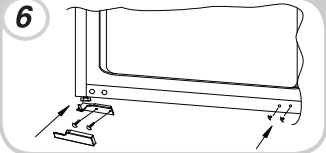
Remove the bottom door.



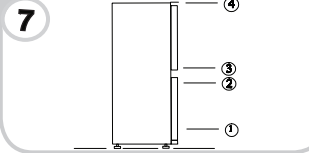
Remove the right bottom hinge and left plastic plugs, and refit them onto the opposite side.



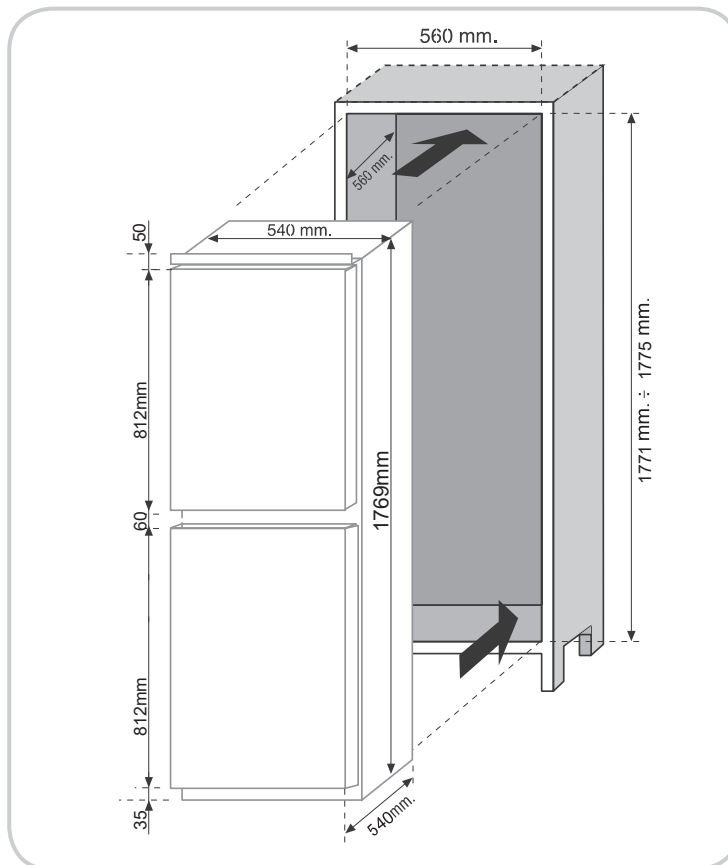
Use the opposite hinge and cover and fit into the left bottom



Reassemble the doors and hinges workings from bottom to top, from 1-4.

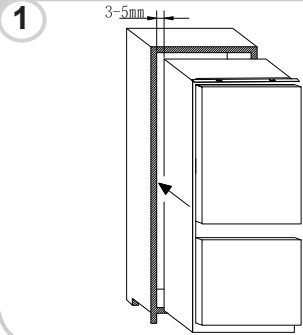


PRODUCT DIMENSIONS AND BUILT-IN COMPARTMENT

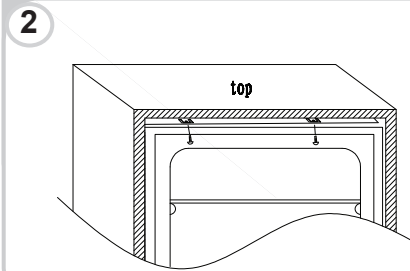


INSTALLATION OF THE APPLIANCE IN THE COLUMN

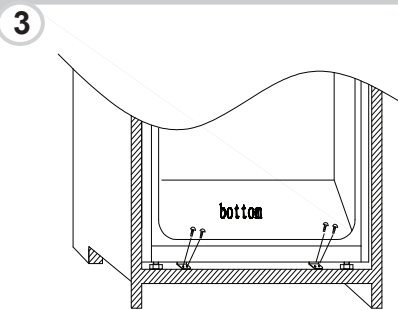
Insert the appliance into the column, placing it on the opposite site of the hinges, and make sure 3-5 mm distance gap.



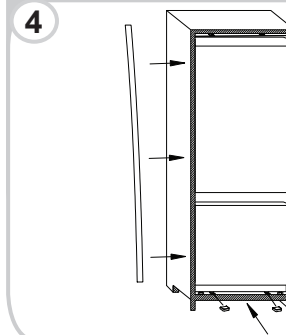
After ensuring the match between appliance door and column door, then screw the appliance upper part to the cabinet



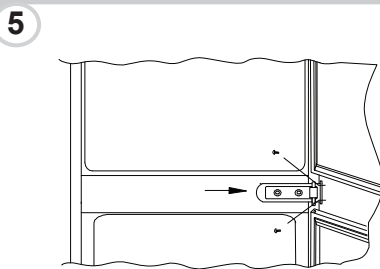
Screw the appliance lower part



Fit the seal to the appliance, cut off the excessive part if necessary. Fit the bottom parts with plastic covers.



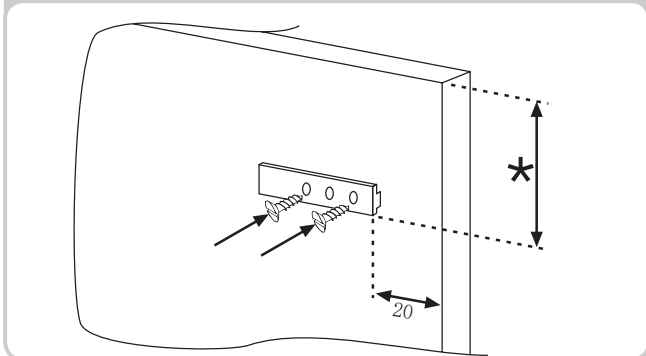
Use a cross-screwdriver to loosen the connecting pin underneath the right middle hinge, and adjust to screw onto the right cabinet wall.



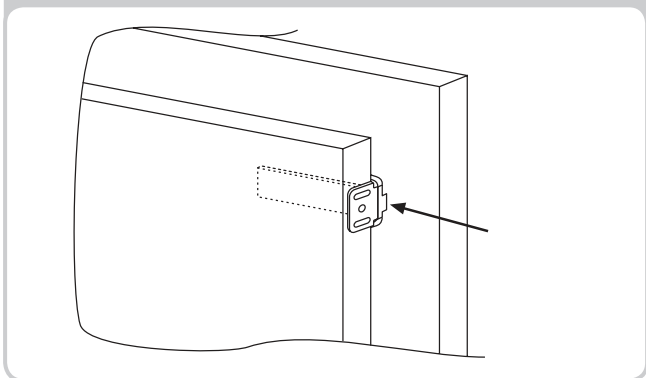
COUPLING OF THE PANELS OF THE BUILT-IN COLUMN OF THE APPLIANCE DOORS

The appliance is equipped with coupling devices for the appliance doors with the column panels (loader slide).

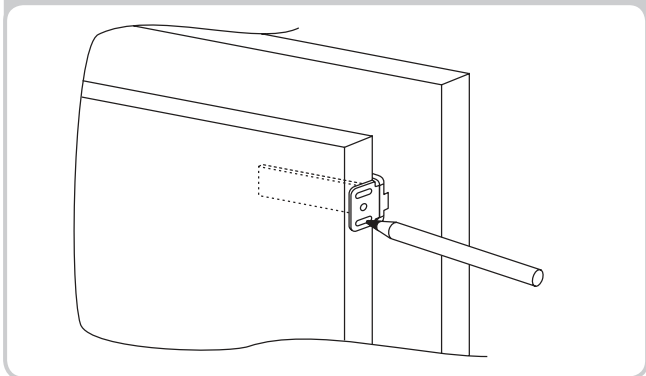
Secure the slide in the inner part of the panel of the built-in column at the desired height and at approx. 20 mm. From the outer wire of the door.



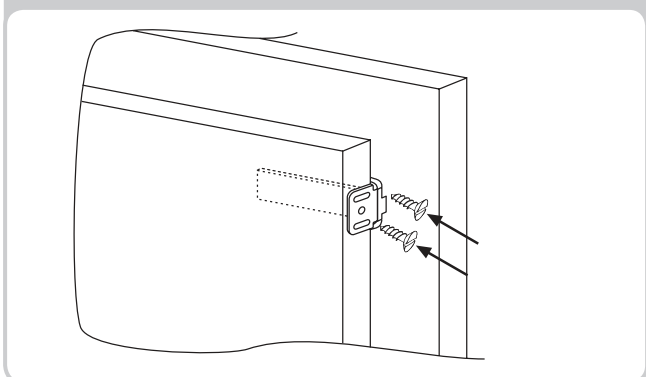
Open the doors of the built-in column and the fridge. Position the built-in loader in the slide, then fit it into the fridge door.



Mark the fixing points for the screws and drill with a bit of a diameter of 2.5mm.



Connect the appliance door to the cabinet panel keeping the loader slots as guidelines.



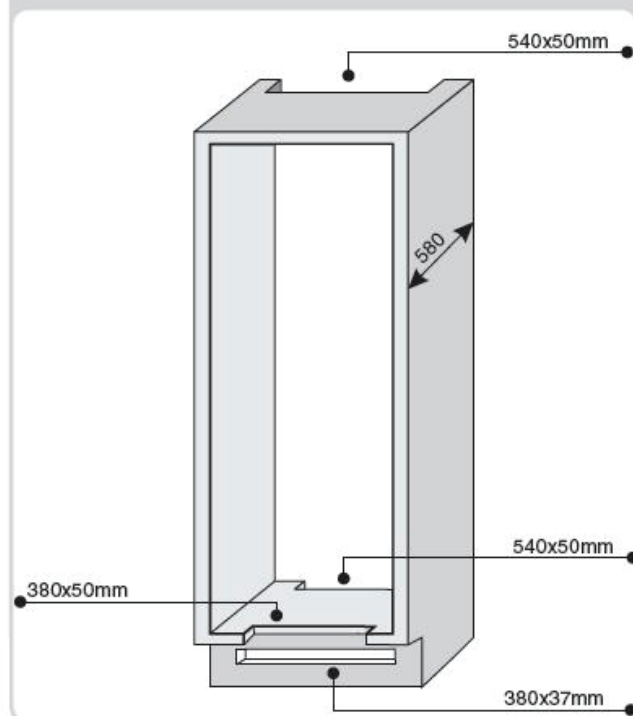
PRECAUTIONS FOR THE CORRECT OPERATION

Once the product has been embedded, place the rear part of the column in contact with the wall so as to prevent access to the compressor compartment.

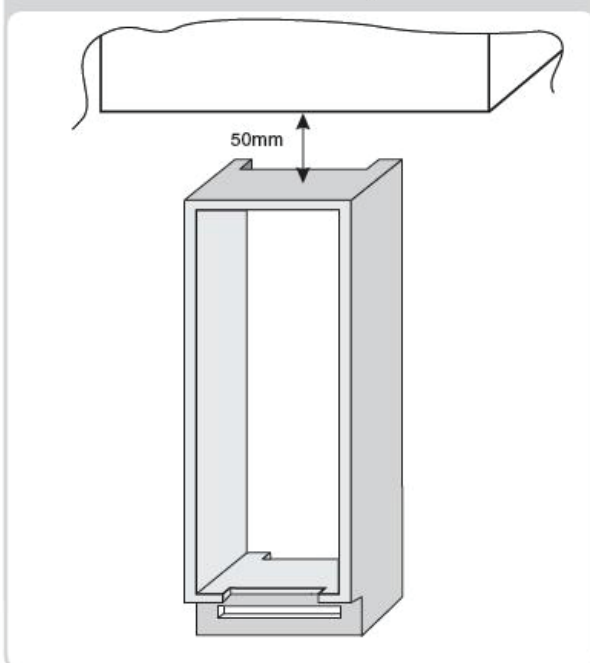
For the product to operate correctly it is essential to allow adequate air circulation so as to cool down the condenser located in the rear part of the appliance.

For this reason, the column must be equipped with a rear chimney, whose upper opening must not be blocked and with a front slot which will be covered with a ventilation grill.

Size of the unit cut outs.



Room to leave between the unit and ceiling.



SUSPENDING USE OF THE APPLIANCE

If the appliance is not to be used for a long time:

- 1) Turn the appliance OFF (see Operation).
- 2) Extract the plug or remove the safety device.
- 3) Clean the appliance
- 4) Leave the doors of the appliance open.

TROUBLESHOOTING

PROBLEM	CAUSE	REMEDY
The inside illumination light bulb does not turn on.	<ul style="list-style-type: none"> • Electricity absence. • Door switch is blocked. 	<ul style="list-style-type: none"> • The power cord is not properly plugged in. • Check whether the appliance is switched off. (see Temperature Adjustment). • Ensure that there is a current in the house. • Check that it is active.
The refrigerator and freezer do not sufficiently cool.	<ul style="list-style-type: none"> • The doors are not closed. • The doors are frequently opened • Erroneous setting of the temperature. • The refrigerator and freezer have been excessively filled. • Surrounding temperature is too low. • No electrical power. 	<ul style="list-style-type: none"> • Check that the door and gaskets close properly. • Avoid unnecessary opening of the doors for a period of time. • Check the temperature setting and, if it is possible, cool even more (see Temperature adjustment) • Wait for the stabilization of the temperature of the refrigerator or freezer. • Check that the ambient temperature is in accordance with what is indicated on the nameplate (see Installation). • The power cord is not properly plugged in. • Check whether the appliance is switched off (see Temperature adjustment) • Ensure that in the home there is current.
The food in the refrigerator freezes.	<ul style="list-style-type: none"> • Erroneous setting of the temperature. • Food in contact with the back wall. • The freezing of too much fresh food causes a lowering of the temperature of the refrigerator 	<ul style="list-style-type: none"> • Check the temperature setting (see Temperature Adjustment) and, if possible, decrease temperature setting. • Separate the food from the back wall of the refrigerator. • Do not exceed the maximum amount to be frozen (see Freezing).
The bottom of the refrigerator compartment is wet or droplets are present.	The drain tube could be clogged.	<ul style="list-style-type: none"> • Clean the drain tube with a stick or the like to allow the discharge of water.
Presence of drops or water on the back wall of the refrigerator.	• Normal operation of the refrigerator.	• It is not a defect (see Defrosting).
Presence of water in the vegetable drawer.	<ul style="list-style-type: none"> • Lack of air circulation. • Vegetables and fruits with too much moisture. 	<ul style="list-style-type: none"> • Verify that your glass shelf tray vegetables are not put foods that prevent air circulation. • Wrap the fruit and vegetable materials plastic such as, for example, films, bags or containers.
The motor runs continuously.	<ul style="list-style-type: none"> • The doors are not closed. • The doors are opened frequently. • Ambient temperature is very high. • Thickness of frost than 3mm. 	<ul style="list-style-type: none"> • Make sure the doors are closed and if the seals close properly. • Avoid unnecessary open ports for a certain period. • Verify that the ambient temperature is in accordance with the specifications on the nameplate (see Installation). • Set the display/thermostat a warmer temperature. • Defrost the unit (see Defrosting).
The frozen food is thawing.	<ul style="list-style-type: none"> • The ambient temperature range below climate class of the product. The compressor starts rarely • The freezer door is not closed. 	<ul style="list-style-type: none"> • Move the unit to a warmer or heat the room. • Make sure the door is closed and that the gasket is sealing properly.

IF YOU ARE NOT SOLVED THE PROBLEM, CONTACT THE SERVICE CENTER, PLEASE GIVE THE TYPE OF FAULT AND THE INFORMATION ON THE PLATE OF THIS APPARATUS TO INSIDE THE REFRIGERATOR COMPARTMENT:

- The model of equipment.
- The number of series.

05/2017

CANDY HOOVER GROUP
Strada Eden Fumagalli, 1
20861 Brugherio (MB)
Italy

EN

FOR appliances without a 4-star compartment: this refrigerating appliance is not suitable for freezing foodstuffs

FOR a free standing appliance: this refrigerating appliance is not intended to be used as a built-in appliance

FOR Wine Coolers: this appliance is intended to be used exclusively for the storage of wine

FOOD STORAGE

Position different food in different compartments according to be below table

Refrigerator compartment	Type of food
Door or balconies of fridge compartment	<ul style="list-style-type: none">Foods with natural preservatives, such as jams, juices, drinks, condiments.Do not store perishable foods
Crisper drawers (salad drawer)	<ul style="list-style-type: none">Fruits, herbs and vegetables should be placed separately in the crisper binDo not store bananas, onions, potatoes, garlic in the refrigerator
Fridge shelf – middle	<ul style="list-style-type: none">Dairy products, eggs
Fridge shelf – top	<ul style="list-style-type: none">Foods that do not need cooking, such as ready-to-eat foods, deli meats, leftovers.
Freezer drawer(s)/tray	<ul style="list-style-type: none">Foods for long-term storageBottom drawer for raw meat, poultry, fishMiddle drawer for frozen vegetables, chips.Top tray for ice cream, frozen fruit, frozen baked goods.

- It's suggested to set the temperature at 4°C in the fridge compartment, and, where possible, at -18°C in the freezer compartment.
- For most food categories, the longest storage time in the fridge compartment is achieved with colder temperatures. Since some particular products (as fresh fruits and vegetables) may be damaged with colder temperatures, it is suggested to keep them in the crisper drawers, whenever present. If not present, maintain an average setting of the thermostat.
- For frozen food, refer to the storage time written on the food packaging. This storage time is achieved whenever the setting respects the reference temperatures of the compartment (one-star -6°C, two stars -12°C, three stars -18°C)

POSITIONING

Install the appliance at a location where the ambient temperature corresponds to the climate class indicated on the rating plate of the appliance:

- Extended temperate (SN): 'this refrigerating appliance is intended to be used at ambient temperatures ranging from 10 °C to 32 °C'
- Temperate (N): 'this refrigerating appliance is intended to be used at ambient temperatures ranging from 16 °C to 32 °C'
- Subtropical (ST): 'this refrigerating appliance is intended to be used at ambient temperatures ranging from 16 °C to 38 °C'

- Tropical (T): 'this refrigerating appliance is intended to be used at ambient temperatures ranging from 16 °C to 43 °C'

AVAILABILITY OF SPARE PARTS

"Thermostats, temperature sensors, printed circuit boards and light sources are available for a minimum period of seven years after placing the last unit of the model on the market.

Door handles, door hinges, trays and baskets for a minimum period of seven years and door gaskets for a minimum period of 10 year, after placing the last unit of the model on the market".

GUARANTEE

Minimum guarantee is: 2 years for EU Countries, 3 years for Turkey, 1 year for UK, 1 year for Russia, 3 years for Sweden, 2 years for Serbia, 5 years for Norway, 1 year for Morocco, 6 months for Algeria, Tunisia no legal warranty required.

TECHNICAL ASSISTANCE

To contact the technical assistance, visit our website: <https://corporate.haier-europe.com/en/>

Under the section "website", choose the brand of your product and your country. You will be redirected to the specific website where you can find the telephone number and form to contact the technical assistance

For further information about the product, please consult <https://eprel.ec.europa.eu/> or scan the QR on the energy label supplied with the appliance