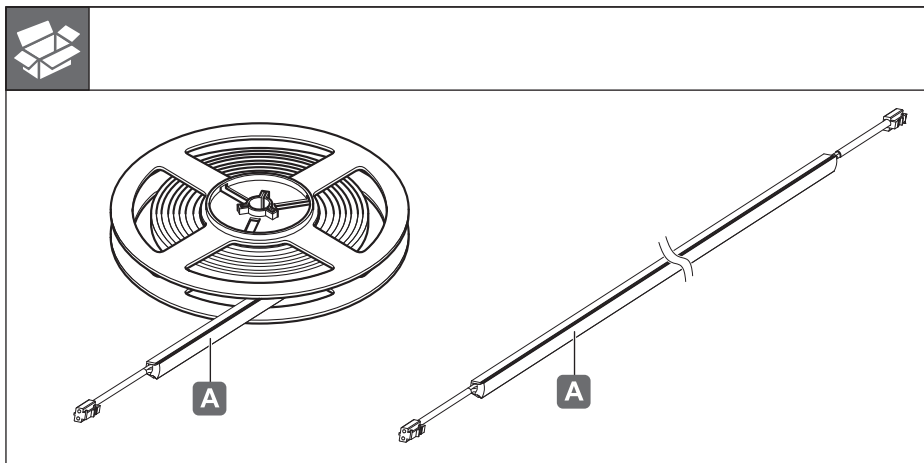
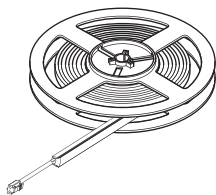


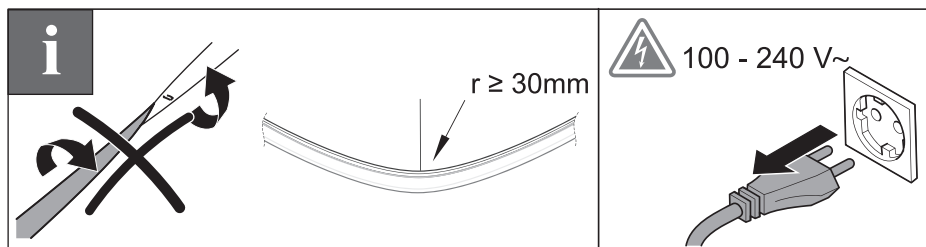


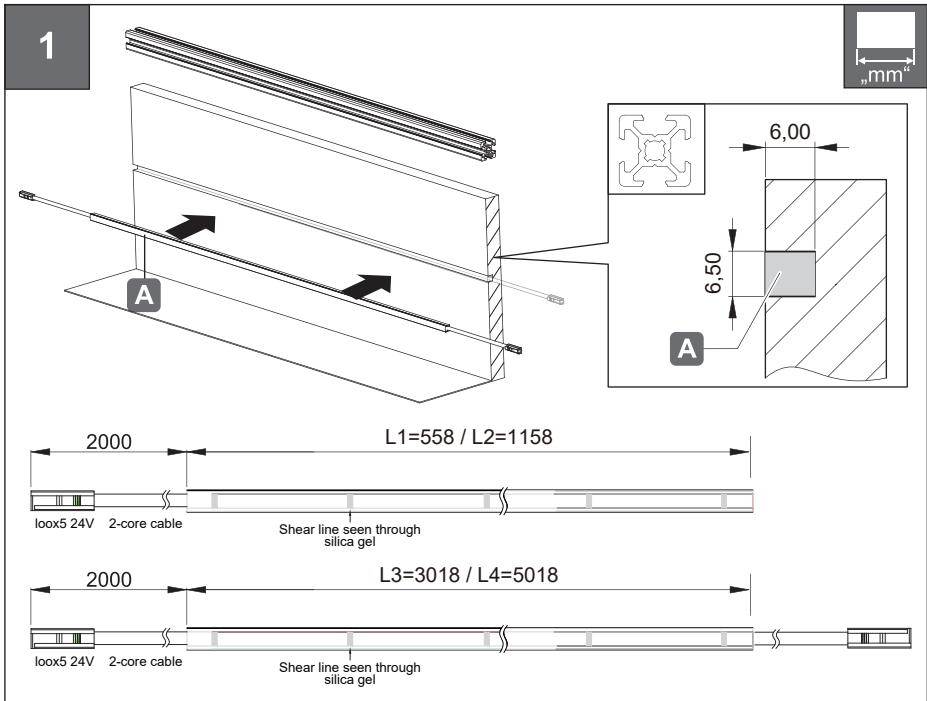
LED1350

833.01.241	833.01.245
833.01.242	833.01.246
833.01.243	833.01.247
833.01.244	833.01.248



24 V System	K	W/m	← max. (m) →			mm	T _A				
			20W	40W	50W						
833.01.241	3000K	9,6	2,0	4,1	5,0	558 x 6.5 x 6.2	-20 °C – +45 °C -4 °F – +113 °F				
833.01.242						1158 x 6.5 x 6.2					
833.01.243						3018 x 6.5 x 6.2					
833.01.244						5018 x 6.5 x 6.2					
833.01.245	4000K					9,6		2,0	4,1	5,0	558 x 6.5 x 6.2
833.01.246											1158 x 6.5 x 6.2
833.01.247											3018 x 6.5 x 6.2
833.01.248											5018 x 6.5 x 6.2





i

Attention:

The light source of this luminaire is not replaceable; when the light source reaches its end of life the whole luminaire shall be replaced.

Do not connect the rope light to the supply while it is in the packing or wound onto a reel.

FOR INDOOR USE ONLY

This Class III luminaire should be select the suitable LED driver: independent; output rating is 24 VDC, Min. 20 W; short-circuited proof; which is IEC/EN 61347-2-13 and IEC/EN 61347-1 approved.

2

