

## PRODUCT FITTING INSTRUCTIONS

Nova Pro Scala 186mm Height

554.33.501/554.33.503/554.33.504/554.33.505/554.33.507/554.33.508/554.33.509/  
554.33.510/554.33.901/554.33.903/554.33.904/554.33.905/554.33.907/554.33.908/  
554.33.909/554.33.910

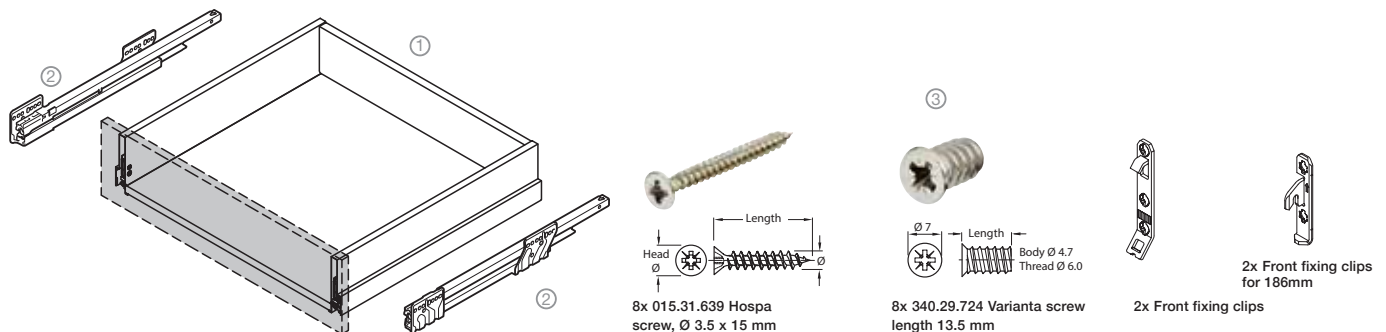
- > Height 186 mm
- > Depth 450 mm
- > Width 300 -1000 mm
- > Set consists of:
  1. Drawer Set
  2. Runners x 1 pair
  3. Front fixing clips x 2, front fixing clips 186mm x 2, and fixing screw set

FITT\_Ref: 105424 Issue-2

### Before you start

- > Unpack all items and check you have everything noted below - if you are missing something, please call 0800 1712908.
- > Make sure that you have all additional requirements as noted below, and a clean, dry area for installing.
- > Installing should be done in the stages shown.

### Included in this pack



Drawer front not included, for illustration purposes only

### Optional items

**A** Runner drilling jig  
558.18.125



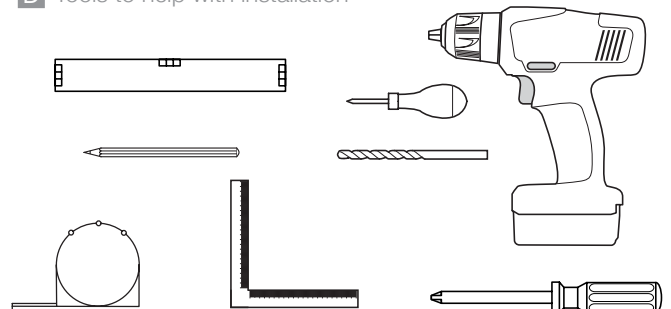
**B** Drawer front marking jig  
558.18.070



**C** Touch to open set  
For drawers up to 600mm  
551.91.182  
For drawers up to 1200mm  
551.91.183



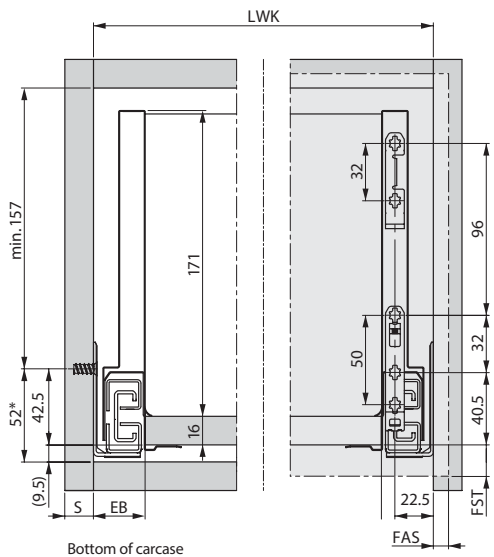
**D** Tools to help with installation



Order online at [www.hafele.co.uk](http://www.hafele.co.uk)

If in doubt, please contact our Technical support team on **0800 1712908**  
alternatively send your query by e-mail to [technicalsupport@hafele.co.uk](mailto:technicalsupport@hafele.co.uk)

## Standard Drawer, installation Detail



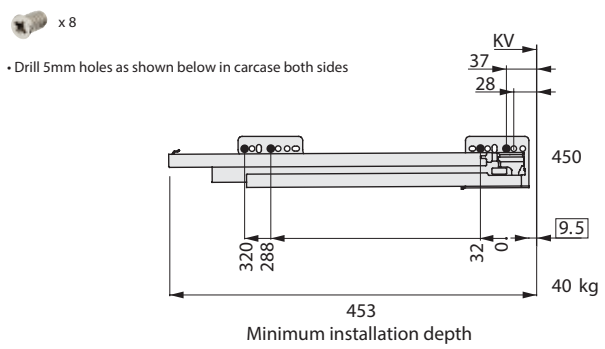
**Installed height of slide**

52\*: min. 49.5 mm  
min. 58 mm (For Touch to open soft close sets)

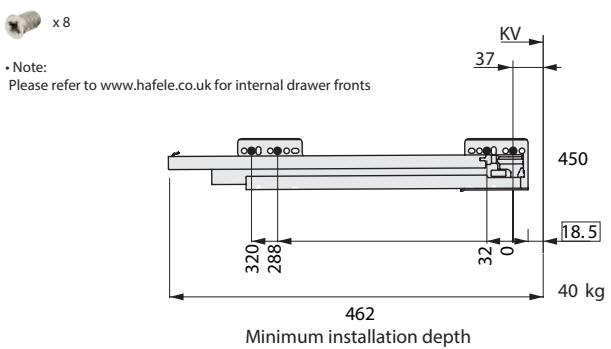
- FB Front holder
- FAS Front overlay, side
- FST Front overlay
- KV Front edge of cabinet
- LWK Inside cabinet width



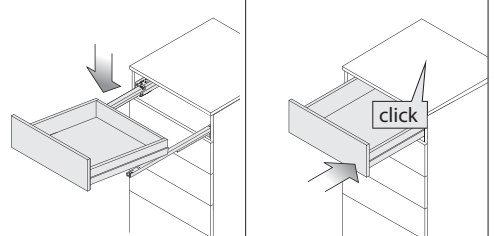
## Fixing positions for full extension drawer slides standard installation



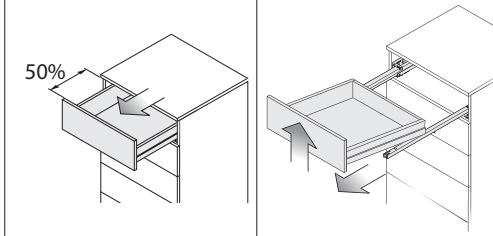
## Fixing positions for full extension drawer slides internal drawer



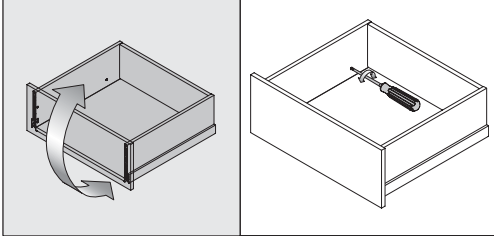
### Inserting the drawer



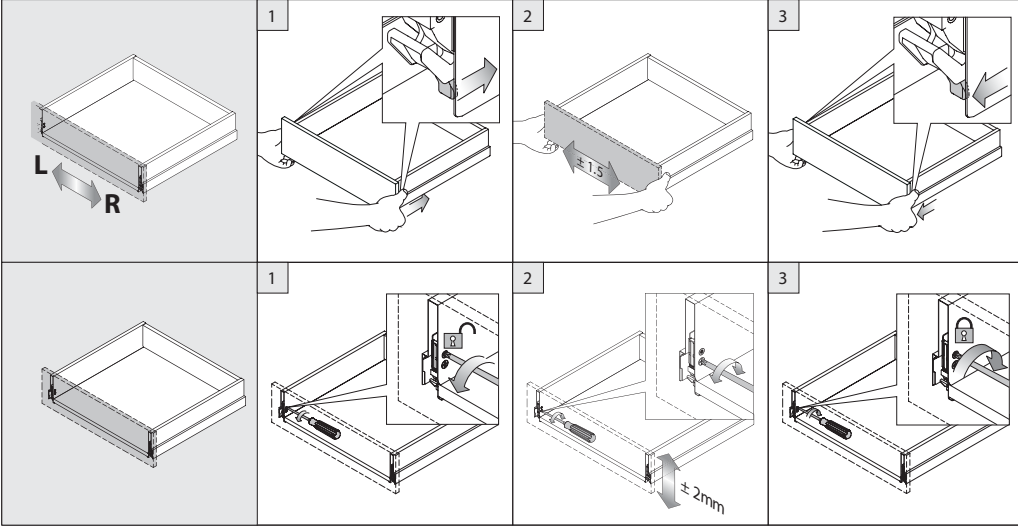
### Removing the drawer



### Tilt adjustment



### Adjustment



If in doubt, please contact our Technical support team on 0800 1712908  
alternatively send your query by e-mail to [technicalsupport@hafele.co.uk](mailto:technicalsupport@hafele.co.uk)