

PRODUCT FITTING INSTRUCTIONS

Nova Pro Scala Crystal Plus

554.34.501/554.34.503/554.34.504/554.34.505/554.34.507/554.34.508/554.34.509/
554.34.510/554.34.901/554.34.903/554.34.904/554.34.905/554.34.907/554.34.908/
554.34.909/554.34.910

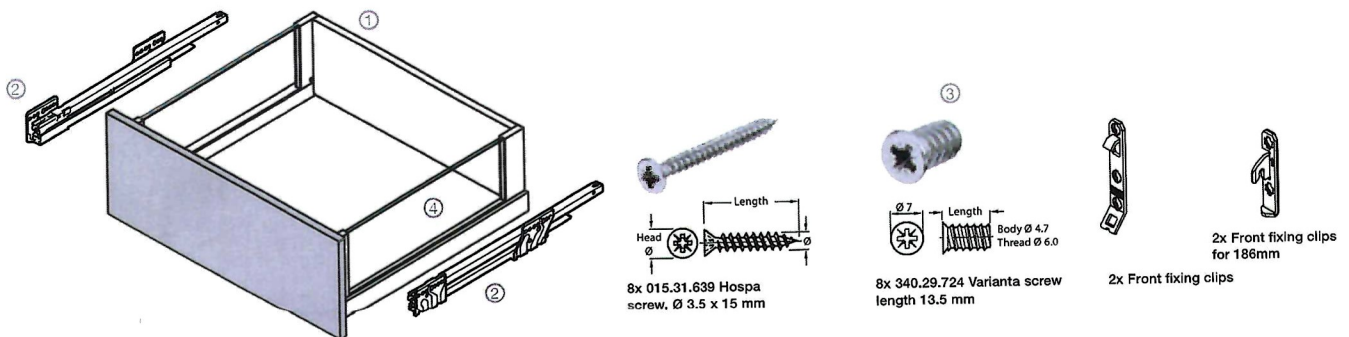
- > Height 186 mm
- > Depth 450 mm
- > Width 300 -1000 mm
- > Set consists of:
 1. Drawer Set
 2. Runners x 1 pair
 3. Front fixing clips x 2 and fixing screw set
 4. Glass sides

FITT_Ref: 105425 Issue-1

Before you start

- > Unpack all items and check you have everything noted below - if you are missing something, please call 0800 1712908.
- > Make sure that you have all additional requirements as noted below, and a clean, dry area for installing.
- > Installing should be done in the stages shown.

Included in this pack



Drawer front not included, for illustration purposes only

Optional items

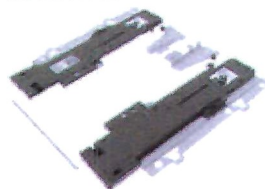
A Runner drilling jig
558.18.125



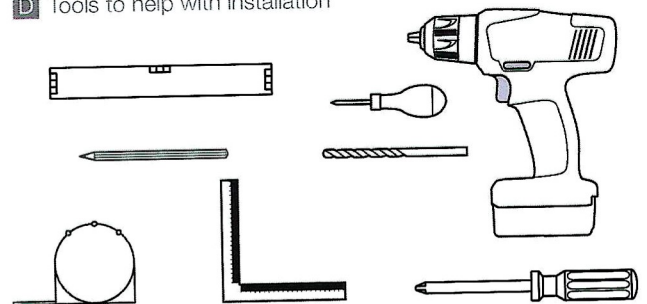
B Drawer front marking jig
558.18.070



C Touch to open set
For drawers up to 600mm
551.91.182
For drawers up to 1200mm
551.91.183



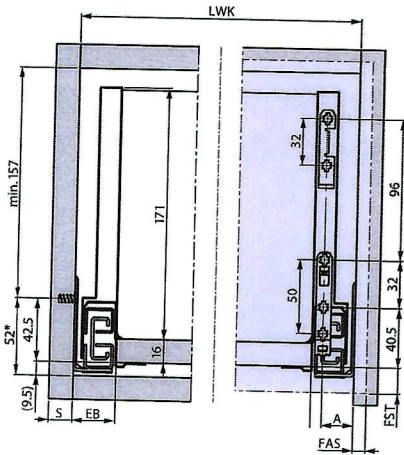
D Tools to help with installation



Order online at www.hafele.co.uk

If in doubt, please contact our Technical support team on **0800 1712908**
alternatively send your query by e-mail to technicalsupport@hafele.co.uk

186 mm Drawer, installation Detail



Installed height of slide

52*: min. 49.5 mm
min. 58 mm For Touch to open soft close sets)

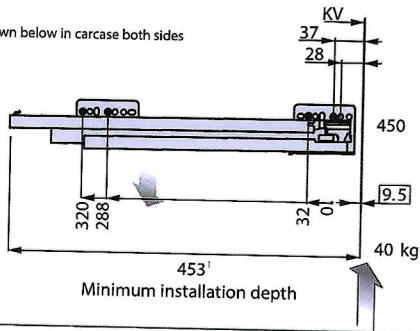
- FB Front holder
- FAS Front overlay, side
- FST Front overlay
- KV Front edge of cabinet
- LWK Inside cabinet width



Fixing positions for full extension drawer slides standard installation

x 8

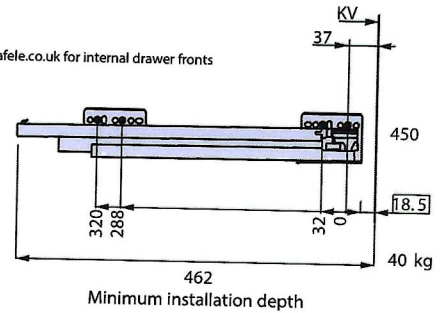
• Drill 5mm holes as shown below in carcase both sides



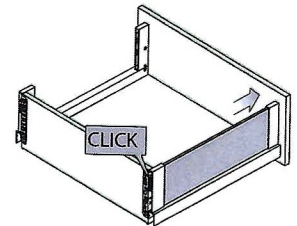
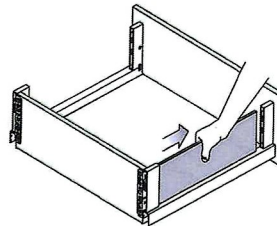
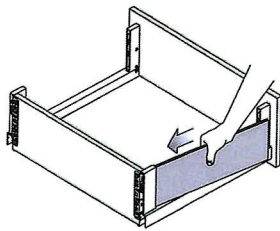
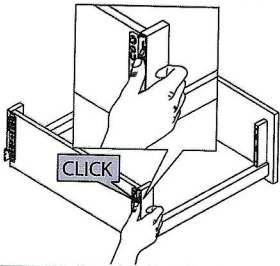
Fixing positions for full extension drawer slides Inset drawer

x 8

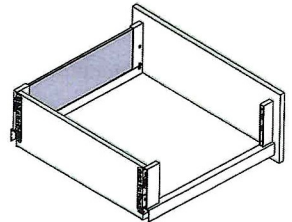
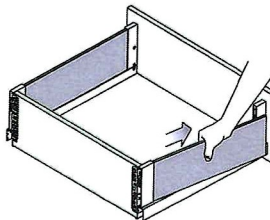
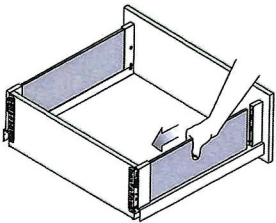
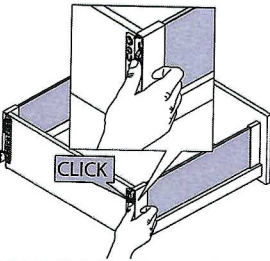
• Note:
Please refer to www.hafele.co.uk for internal drawer fronts



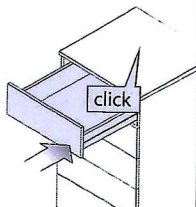
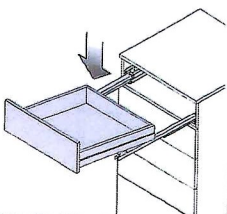
Installation



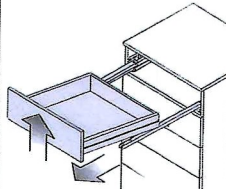
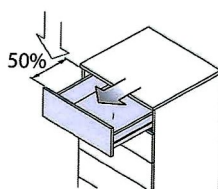
Dismounting



Inserting the drawer



Removing the drawer



If in doubt, please contact our Technical support team on **0800 1712908**
alternatively send your query by e-mail to technicalsupport@hafele.co.uk