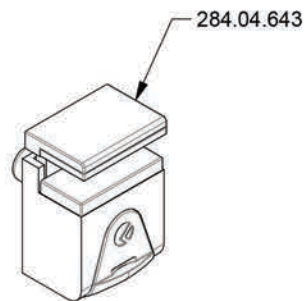
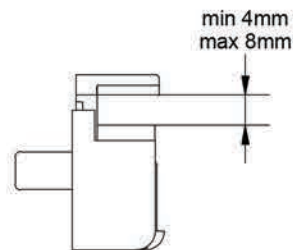
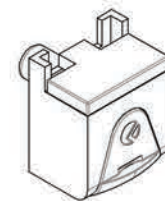


(1:1)



REVISION

-

ITEM/CATALOG NUMBER 284.04.681	DRAWING NUMBER 284.04.681
TITLE KUBIC LOWER GLASS SUPPORT 5MM	
MATERIAL ZINC, NICKEL-PLATED/WHITE	FINISH ZINC, NICKEL-PLATED/WHITE
<small>THIS DRAWING AND ALL INFORMATION THEREIN IS THE PROPERTY OF HÄFELE. IT IS SUBJECT TO CHANGE WITHOUT NOTICE.</small>	
<small>THIS DRAWING AND ALL INFORMATION THEREIN IS CONFIDENTIAL. MUST NOT BE MADE PUBLIC. COPIES OR USE TO DISADVANTAGE OF SAID HÄFELE AMERICA CO. IT IS SUBJECT TO PENALTY OR LEGAL ACTION.</small>	
HÄFELE	DRAWN BY: NPG APPROVED BY: JF DATE: 3/10/2010
TOLERANCE SPECIFICATION ISO 2768-m	SCALE: 2:1 SIZE A
ISO E	SHEET 1 of 1